



Order no.: 1 987 721 065



Order no.: 1 987 720 634



Order no.: 1 987 720 636



Order no.: 1 987 721 222



Order no.: 1 987 721 074

Additional headlamps

Floodlamps

Beacons



Bosch lighting engineering.

Bosch can provide you with the most suitable product for almost any application. As well as additional headlamps, floodlamps and beacons, we offer main headlamps, turn-signal lamps, tail lamps and bulbs. And because we are a complete supplier working constantly on new technologies, our product range also includes testers and diagnostic software.

Bosch Diagnostics			
ESI[tronic] Software	Test Equipment	Service Training	Technical Hotline



Universal headlamps

2008 | 2009



BOSCH

☎ 1 987 721 012/200806

AA/MKV2 - 06.2008 - En

© 2008 Robert Bosch GmbH
Automotive Aftermarket
Postfach 41 09 60
76225 Karlsruhe

Token fee: € 5,00

www.bosch.de/aa

Editorial closing: 15.03.2008

Subject to change without notice. Please direct questions and comments to our Authorized Representative in your country. This edition supersedes all previous editions.



BOSCH

Universal headlamps from Bosch – Always the right product for your needs



**„Pilot X“ from Bosch:
The most compact Xenon floodlamp in its class**

At Bosch, we are continuously working on innovative solutions so that we can offer you an optimum product range for your different requirements. A good example of this is the new Pilot X floodlamp, which we have developed for tough professional applications.

Compact construction. Thanks to its compact construction with integrated control unit and its sophisticated mounting options, the Pilot X is flexible when it comes to attaching it to a vehicle.

Optimum illumination. The Xenon light on the Pilot X provides wide and uniform light distribution and has an impressively long service life.

Ready to use immediately. Light source, igniter and the control unit with D1 technology integrated into the lamp are all included and pre-assembled.



IP degrees of protection: Safety you can rely on



IP degrees of protection for Bosch floodlamps	Significance
IP 54	Dust may only enter in a quantity that will not impair function and safety. Water that sprays onto the housing from any direction may not have any damaging effects.
IP X4K	Water that sprays onto the housing from any direction with increased pressure may not have any damaging effects.
IP X4	Water that sprays onto the housing from any direction may not have any damaging effects.

IP degrees of protection for Bosch beacons	Significance
IP 59K	Dust may only enter in a quantity that will not impair function and safety. Water that is directed at the housing from any direction with significantly increased pressure (high pressure/steam-jet cleaning) may not have any damaging effects.
IP 54K	Dust may only enter in a quantity that will not impair function and safety. Water that sprays onto the housing from any direction with increased pressure may not have any damaging effects.
IP 54	Dust may only enter in a quantity that will not impair function and safety. Water that sprays onto the housing from any direction may not have any damaging effects.

At Bosch, we place great emphasis on high-quality materials and workmanship. The IP degree of protection*) is an important indicator of the loads that a lighting unit can withstand. The IP degrees of protection specify the level of protection that a housing provides for electrical equipment on motor vehicles.

We carry out various tests to determine the exact degree of protection. In particular, we test the degree of protection against entry of solid foreign bodies (including dust) and the degree of protection against entry of water.

*) The IP degrees of protection are specified by a code as set out in DIN 40050 Part 9, which is always made up of the letters IP (International Protection) and the following figures for the actual degrees of protection.

Content

	Page	Chapter
Range		
	A 2	Part number overview
	A 4	Additional headlamps – Driving lamps
	A 26	Additional headlamps – Fog lamps
	A 38	Floodlamps
	A 54	Spot lamps
	A 60	Beacons



Part number overview



Type



0 305 002 001	Rallye 225	A 28
0 305 055 001	Compact 100	A 32
0 305 055 002	Compact 100	A 32
0 305 055 901	Compact 100	A 32
0 305 406 001	Pilot 150	A 35
0 305 406 002	Pilot 150	A 35
0 305 406 101	Pilot 150	A 35
0 305 406 102	Pilot 150	A 35
0 305 406 901	Pilot 150	A 35
0 305 406 902	Pilot 150	A 35
0 305 555 001	Scout	A 36
0 305 555 901	Scout	A 36
0 305 601 004	Touring 170	A 34
0 305 601 005	Touring 170	A 34
0 305 601 104	Touring 170	A 34
0 305 602 001	Touring 165	A 30
0 305 602 002	Touring 165	A 30
0 305 603 001	Pilot 160	A 31
0 305 603 002	Pilot 160	A 31
0 305 603 901	Pilot 160	A 31
0 305 603 902	Pilot 160	A 31
0 306 001 005	Profi 210	A 24
0 306 001 201	Profi 210	A 24
0 306 003 002	Rallye 225	A 6
0 306 003 003	Rallye 225	A 6
0 306 003 006	Rallye 225	A 6
0 306 003 008	Rallye 225	A 6
0 306 003 009	Rallye 225	A 6
0 306 055 001	Compact 100	A 17
0 306 055 101	Compact 100	A 40
0 306 055 102	Compact 100 Leisure	A 41
0 306 055 901	Compact 100 Leisure	A 17
0 306 181 009	105	A 42
0 306 382 001	Kiruna 140	A 43
0 306 407 002	Pilot 150	A 22
0 306 407 101	Pilot 150	A 22
0 306 407 901	Pilot 150	A 22
0 306 480 001	Touring 140	A 57
0 306 480 002	Touring 140	A 45
0 306 481 001	Pilot 140	A 44
0 306 481 003	Pilot 140	A 56
0 306 481 004	Pilot 140	A 44
0 306 482 001	Pilot 145	A 49
0 306 482 003	Pilot 145	A 49
0 306 482 010	Pilot 145	A 49
0 306 483 001	140 x 65 mm	A 48
0 306 484 001	Pilot 150	A 50
0 306 484 002	Pilot 150	A 50
0 306 604 001	Touring 170	A 23
0 306 604 002	Touring 170	A 23
0 306 605 001	Touring 165	A 15
0 306 606 001	Pilot 160	A 16
0 306 606 901	Pilot 160	A 16
0 306 680 001	Pilot 160	A 46
0 306 900 005	Touring 190	A 29



Type



0 306 901 005	Touring 190	A 12
0 306 980 002	Touring 190	A 47
0 306 980 002	Profi 210	A 51
0 306 980 003	Touring 190	A 47
0 306 980 003	Profi 210	A 51
0 306 980 004	Touring 190	A 58
0 986 310 520	Compass 1000	A 20
0 986 310 526	Navigator ECE	A 10
0 986 310 527	Navigator Pencil beam	A 11
0 986 310 528	Navigator ECE	A 10
0 986 310 529	Navigator Pencil beam	A 11
0 986 310 533	Rallye 175	A 14
0 986 310 534	Rallye 175	A 14
0 986 310 535	Compass 3000 off-road-Version	A 19
0 986 310 536	Compass 3000 HNS	A 18
0 986 310 537	Profi 210	A 24
0 986 310 538	Profi 210	A 24
0 986 310 539	Profi 210	A 33
0 986 310 540	Navigator LED	A 7
0 986 310 541	Navigator LED	A 7
0 986 310 575	Navigator Xenon Pencil beam	A 8
0 986 310 576	Navigator Xenon ECE	A 9
0 986 310 670	Navigator Xenon ECE	A 9
0 986 310 674	Rallye 175 Xenon	A 13
0 986 310 675	Pilot X	A 52
0 986 310 920	Compass 1000 LIGHT BAR	A 21
7 782 319 052	Floodlight	A 71
7 782 319 054	Floodlight	A 71
7 782 319 062	Floodlight	A 71
7 782 319 064	Floodlight	A 71
7 782 322 405	Rotating beacon	A 64
7 782 324 012	Rotating beacon	A 69
7 782 324 207	Rotating beacon	A 64
7 782 324 404	Rotating beacon	A 64
7 782 332 008	Rotating beacon	A 67
7 782 332 009	Rotating beacon	A 68
7 782 332 011	Rotating beacon	A 63
7 782 332 011	Rotating beacon	A 64
7 782 332 012	Rotating beacon	A 69
7 782 332 207	Rotating beacon	A 64
7 782 332 209	Rotating beacon	A 63
7 782 332 404	Rotating beacon	A 63
7 782 334 007	Rotating beacon	A 67
7 782 334 008	Rotating beacon	A 68
7 782 334 009	Rotating beacon	A 63
7 782 334 011	Rotating beacon	A 64
7 782 334 207	Rotating beacon	A 63
7 782 334 404	Rotating beacon	A 63
7 782 362 008	Rotating beacon	A 65
7 782 362 207	Rotating beacon	A 65
7 782 362 404	Rotating beacon	A 65
7 782 364 007	Rotating beacon	A 65
7 782 364 207	Rotating beacon	A 65
7 782 364 404	Rotating beacon	A 65
7 782 372 003	Rotating beacon	A 70

Additional headlamps – Driving lamps

Range overview



A20/21

Compass 1000 – Driving lamp / **LIGHT BAR** – Driving-lamp set.
Modern, die-cast aluminum housing.
With HNS reflector for the most difficult lighting conditions.
Multi-purpose mounting, for any vehicle.



A18/19

Compass 3000 – Driving lamp.
Contemporary design, in halogen version.
Weather-resistant plastic housing.



A7/8/9
A10/11

Navigator – Driving lamp with stainless-steel housing and colorless lens. Ideally suited for emergency vehicles, commercial vehicles, off-road vehicles or as a spot lamp. Also available with blue lens. Available with LED ring or Xenon technology.



A17

Compact 100 – Small driving lamp with latest-generation lighting engineering and colorless lens.
Ideally suited for integrated external fitting and flush fitting.
Also available as a fog lamp.



A16/22

Pilot – Driving lamp.
Extra-flat housing. Specially designed for mounting on narrow bumpers. Version without mounting base is suitable for installation in spoiler or radiator grille.
Also available as a fog lamp.



A12/15/23

Touring – Driving lamp.
Version without mounting base is suitable for installation in spoiler or radiator grille.
Also available as a fog lamp.



A6/13/14

Rallye – Driving lamp.
Exceptionally high lighting efficiency thanks to large and deep reflector. Tried and tested in motor sport.
Also available in Xenon technology and as a fog lamp.



A24

Profi – Driving lamp.
Robust and resistant to vibration. Ideal for tough day-to-day use on commercial vehicles.
Also available as a fog lamp.



Information



The optical principle of driving lamps is similar to that of fog lamps. However, the lens is designed to meet the technical requirements for upper beam. Here too, the regulations for mounting and adjustment as well as the adjustment dimensions and statutory regulations must always be adhered to.

Rallye 225



Robust additional headlamps - developed for rally sport. Optimum light and best road illumination for heavy-duty applications. With or without side- marker lamp.

Headlamp housing

Waterproof steel housing, black resicoated.

Lens

Colorless or blue. Lens aperture Ø 205 mm.

Attachment

With M12 threaded stud.

Mounting

Upright.

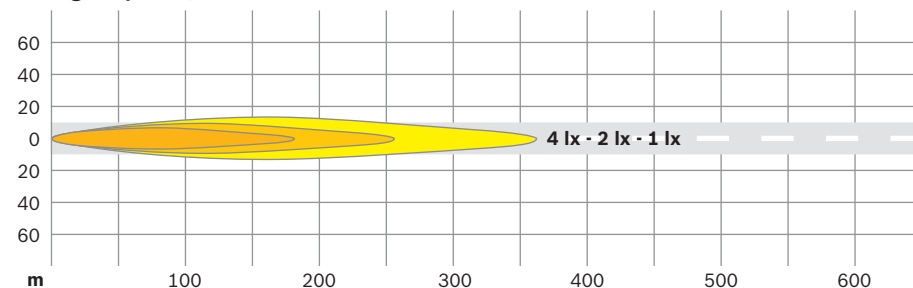
Assembly parts

Included in scope of delivery.

Standard

Observe legal regulations and safety instructions.

Driving lamp 12 V/55 W



Rallye 225	
Colorless, without side-marker lamp	0 306 003 002
Colorless, with side-marker lamp	0 306 003 006
Blue, with side-marker lamp	0 306 003 008³⁾
Colorless, with pencil beam	0 306 003 003¹⁾²⁾
Blue, with pencil beam and side-marker lamp	0 306 003 009¹⁾

Accessories and spare parts	
Protective cap	1 300 516 018¹⁾
Driving-lamp unit, colorless, without side-marker lamp	1 305 334 910

Type of bulb		
H3	12 V/55 W	1 987 302 031
H3	24 V/70 W	1 987 302 431
T 4 W	12 V/4 W	1 987 302 207
T 4 W	24 V/4 W	1 987 302 512

¹⁾ Observe legal regulations and safety instructions.
²⁾ Available while stocks last.
³⁾ Operate blue ECE version with colorless bulbs only, T4W, H1.

Navigator LED



Stylish stainless-steel housing. Ideal for commercial vehicles and off-road vehicles.

Headlamp housing

Stainless-steel housing in V4A steel.

Lens

Colorless or blue.

Mounting

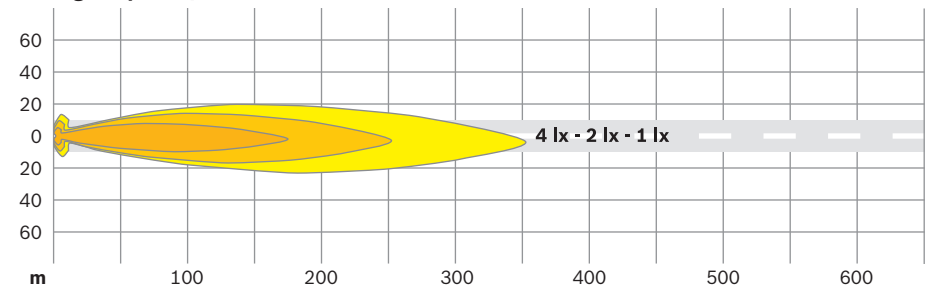
Optionally upright or suspended.

Scope of delivery

1 headlamp with protective cap, electrical connecting parts, operating instructions.

Standard

ECE approval.

Driving lamp 12 V/55 W

Navigator LED	
ECE, colorless	0 986 310 540
ECE, blue	0 986 310 541²⁾

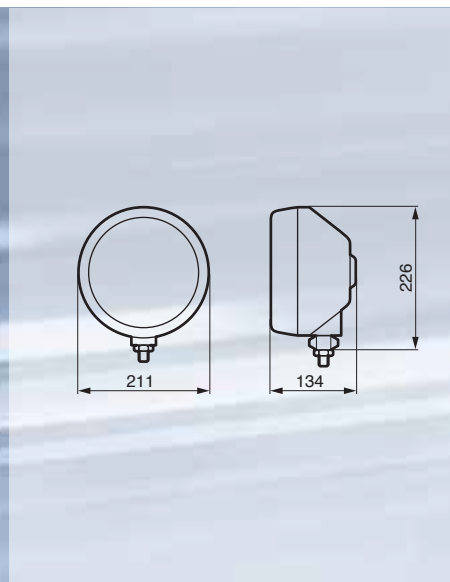
Accessories and spare parts	
ECE driving-lamp unit, colorless	1 987 305 106
ECE driving-lamp unit, blue	1 987 305 107²⁾
Protective cap, black	1 987 305 095¹⁾

Type of bulb		
H1	12 V/55 W	1 987 302 011
H1	12 V/100 W	1 987 302 016¹⁾
H1	24 V/70 W/70 W	1 987 302 411

¹⁾ Observe legal regulations and safety instructions.

²⁾ Operate blue ECE version with colorless bulbs only, T4W, H1.

Navigator Xenon pencil beam



Stylish stainless-steel housing.
For off-road vehicles, commercial vehicles, emergency vehicles (spot lamp).

Headlamp housing
 Stainless-steel housing in V4A steel.

Lens
 Colorless

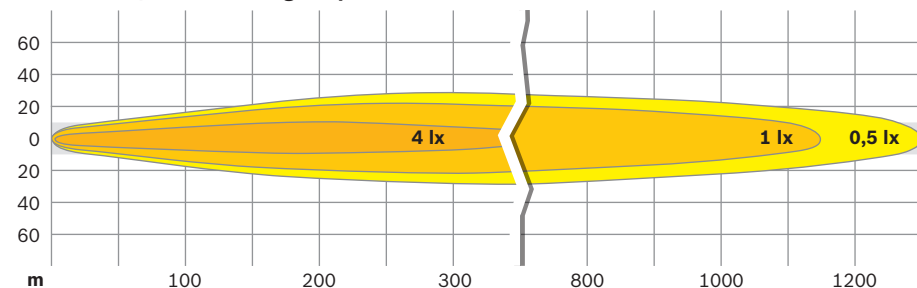
Mounting
 Optionally upright or suspended.

Electrical connection
 Xenon control unit already pre-mounted.

Scope of delivery-
 1 headlamp with protective cap, gaseous-discharge lamp D2S, control unit, complete wiring-harness set with relay and side-marker lamp T4W, operating instructions.

Standard
 Observe legal regulations and safety instructions.

Pencil beam / Xenon driving lamp



Navigator Xenon pencil beam	
Pencil beam, colorless 12 V	0 986 310 575¹⁾

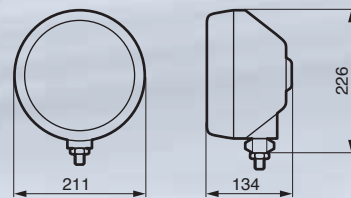
Accessories and spare parts	
Pencil beam driving-lamp unit, colorless Xenon	1 987 305 065¹⁾
Wiring-harness set without relay	1 987 305 104
Protective cap, black	1 987 305 095¹⁾

Xenon control unit with 50 cm high-voltage cable	
12 V	0 986 310 200
24 V	0 986 310 202
Relay 12 V	0 332 019 150
Relay 24 V	0 332 019 203

Type of bulb	
Gaseous-discharge lamp D2S/35 W	1 987 302 904
T 4 W 12 V/4 W	1 987 302 287
T 4 W 24 V/4 W	1 987 302 525

¹⁾ Observe legal regulations and safety instructions.

Navigator Xenon ECE



Stylish stainless-steel housing.
For off-road vehicles, commercial vehicles, emergency vehicles (spot lamp).

Headlamp housing
Stainless-steel housing in V4A steel.

Lens
Colorless or blue.

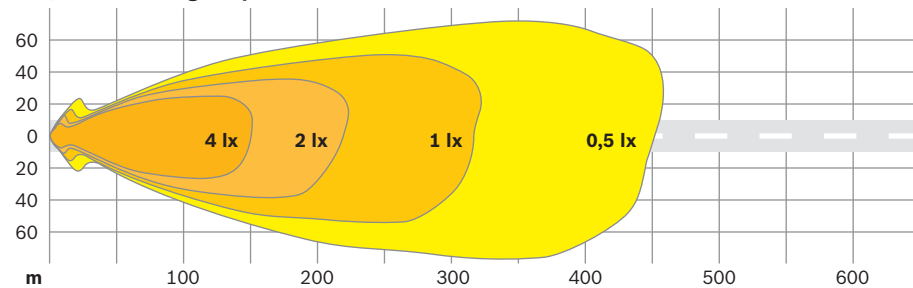
Mounting
Optionally upright or suspended.

Electrical connection
Xenon control unit already pre-mounted.

Scope of delivery
1 headlamp with protective cap, gaseous-discharge lamp D2S, control unit, complete wiring-harness set with relay and side-marker lamp T4W, operating instructions.

Standard
ECE approval.

ECE/Xenon driving lamp



Navigator Xenon ECE	
ECE, colorless 12 V	0 986 310 576
ECE, blue 12 V	0 986 310 670²⁾

Accessories and spare parts	
ECE driving-lamp unit, colorless Xenon	1 987 305 068
ECE driving-lamp unit, blue Xenon	1 987 305 070²⁾
Wiring-harness set without relay	1 987 305 104
Protective cap, black	1 987 305 095¹⁾

Xenon control unit with 50 cm high-voltage cable	
12 V	0 986 310 200
24 V	0 986 310 202
Relay 12 V	0 332 019 150
Relay 24 V	0 332 019 203

Type of bulb	
Gaseous-discharge lamp D2S/35 W	1 987 302 904
T 4 W 12 V/4 W	1 987 302 287
T 4 W 24 V/4 W	1 987 302 525

¹⁾ Observe legal regulations and safety instructions.

²⁾ Operate blue ECE version with colorless bulbs only, T4W, H1.

Navigator ECE



Stylish stainless-steel housing. Ideal for commercial vehicles and off-road vehicles.

Headlamp housing

Stainless-steel housing in V4A steel.

Lens

Colorless or blue.

Mounting

Optionally upright or suspended.

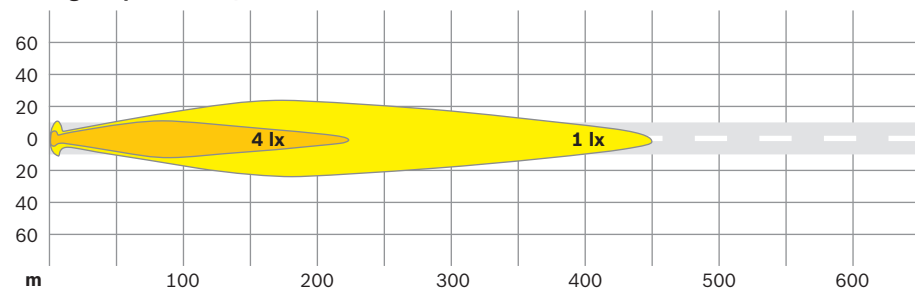
Scope of delivery

1 headlamp with protective cap, socket for side-marker lamp, electrical connecting parts, operating instructions.

Standard

ECE approval.

Driving lamp ECE 12 V/55 W



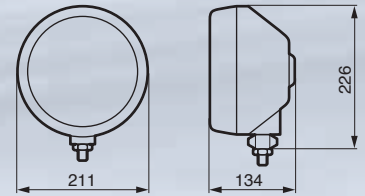
Navigator ECE	
ECE, colorless	0 986 310 526
ECE, blue	0 986 310 528²⁾

Accessories and spare parts	
ECE driving-lamp unit, colorless	1 987 305 066
ECE driving-lamp unit, blue	1 987 305 072²⁾
Protective cap, black	1 987 305 095¹⁾

Type of bulb		
H1	12 V/55 W	1 987 302 011
H1	12 V/100 W	1 987 302 016¹⁾
H1	24 V/70 W/75 W	1 987 302 411
T 4 W	12 V/4 W	1 987 302 287
T 4 W	24 V/4 W	1 987 302 525

¹⁾ Observe legal regulations and safety instructions.
²⁾ Operate blue ECE version with transparent bulbs only, T4W, H1.

Navigator pencil beam



Stylish stainless-steel housing. Ideal for commercial vehicles and off-road vehicles.

Headlamp housing

Stainless-steel housing in V4A steel.

Lens

Colorless or blue.

Mounting

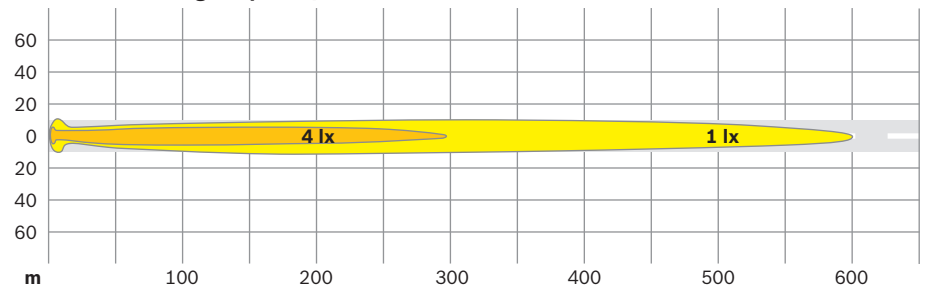
Optionally upright or suspended.

Scope of delivery

1 headlamp with protective cap, socket for side-marker lamp, electrical connecting parts, operating instructions.

Standard

Observe legal regulations and safety instructions.

Pencil-beam driving lamp 12 V/55 W**Navigator pencil beam**

Pencil beam, colorless	0 986 310 527¹⁾
Pencil beam, blue	0 986 310 529¹⁾

Accessories and spare parts

Pencil-beam driving-lamp unit, colorless	1 987 305 065¹⁾
Pencil-beam driving-lamp unit, blue	1 987 305 069¹⁾
Protective cap, black	1 987 305 095¹⁾

Type of bulb

H1	12 V/55 W	1 987 302 011
H1	12 V/100 W	1 987 302 016¹⁾
H1	24 V/70 W/75 W	1 987 302 411
T 4 W	12 V/4 W	1 987 302 287
T 4 W	24 V/4 W	1 987 302 525

¹⁾ Observe legal regulations and safety instructions.

Touring 190



Additional headlamp made of steel in exceptionally flat design. Scratch and corrosion-resistant.

Headlamp housing
Waterproof steel housing, black resicoated.

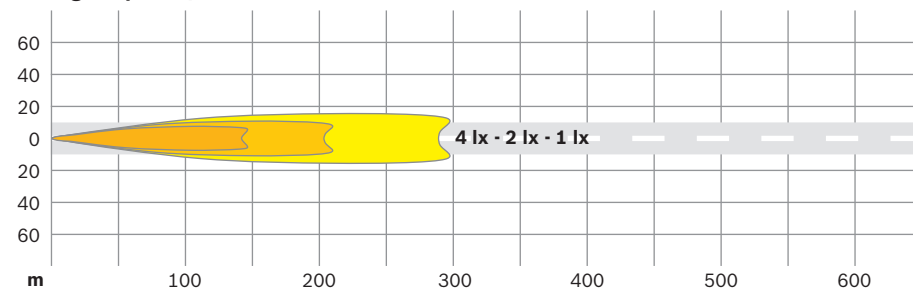
Lens
Colorless.

Attachment
With M10 threaded stud.

Mounting
Upright.

Standard
ECE approval.

Driving lamp 12 V/55 W



Touring 190		
Colorless		0 306 901 005
Accessories and spare parts		
Protective cap		1 300 502 012¹⁾
Driving-lamp unit, colorless		1 305 313 938
Type of bulb		
H3	12 V/55 W	1 987 302 031
H3	24 V/70 W	1 987 302 431

¹⁾ Observe legal regulations and safety instructions.

Rallye 175 Xenon



Additional headlamps for a wide variety of applications. Optimum homogeneous light distribution. Suitable for use in even the toughest of weather conditions.

Headlamp housing

Glass-fiber-reinforced plastic, matt black surface.

Lens

Colorless.

Attachment

With M10 threaded stud.

Mounting

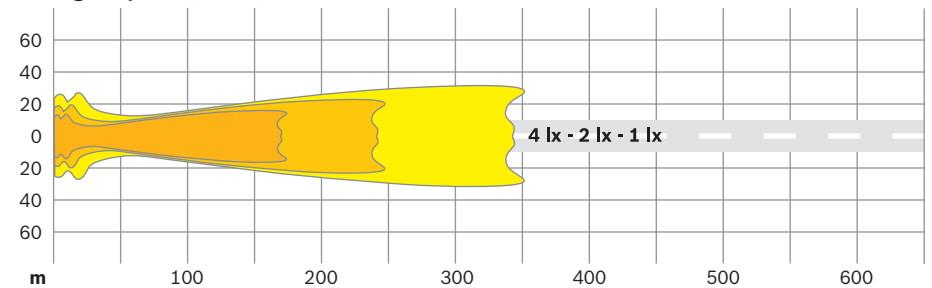
Upright, suspended and side-mounted with up to 90° adjustable base.

Scope of delivery

SB packaging, 1 headlamp with D1S gaseous-discharge lamp, control unit, electrical connecting parts, operating instructions.

Standard

ECE approval.

Driving lamp 12 V/55 W / Xenon**Rallye 175 Xenon**

Colorless 12 V **0 986 310 674**

Accessories and spare parts

Headlight unit, colorless **1 987 305 076**

Xenon control unit **0 986 310 208**

with 80 cm high-voltage cable 12 V

Relay 12 V **0 332 019 150**

Type of bulb

Gaseous-discharge lamp **1 987 302 905**

D1S, 35 W

Rallye 175



Additional headlamps for a wide variety of applications. Optimum homogeneous light distribution. Suitable for use in even the toughest of weather conditions.

Headlamp housing

Glass-fiber-reinforced plastic, matt black surface.

Lens

Colorless or blue.

Attachment

With M10 threaded stud.

Mounting

Upright, suspended and side-mounted with up to 90° adjustable base.

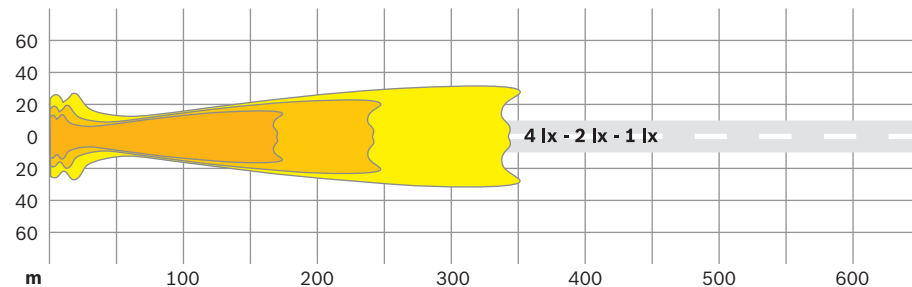
Scope of delivery

SB packaging, 1 headlamp with H1 halogen lamp, electrical connecting parts, operating instructions.

Standard

ECE and SAE approval.

Driving lamp 12 V/55 W



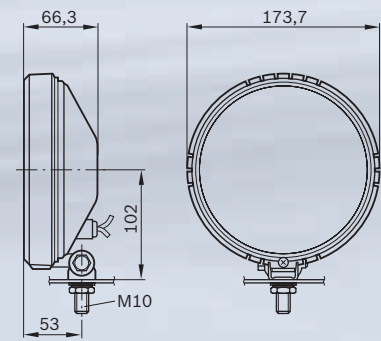
Rallye 175	
Colorless	0 986 310 533
Blue	0 986 310 534¹⁾

Accessories and spare parts	
Headlight unit, colorless	1 987 305 074
Headlight unit, blue	1 987 305 075¹⁾

Type of bulb		
H1	12 V/55 W	1 987 302 011
H1	24 V/70 W	1 987 302 411
T 4 W	12 V/4 W	1 987 302 207
T 4 W	24 V/4 W	1 987 302 512

¹⁾ Operate blue ECE version with colorless bulbs only, T4W, H1.

Touring 165



Flat additional headlamp for better visibility in fog, rain and snow. Impact-resistant, fracture-proof and non-corroding.

Headlamp housing

Glass-fiber-reinforced polyamide housing, matt black surface.

Lens

Colorless.

Attachment

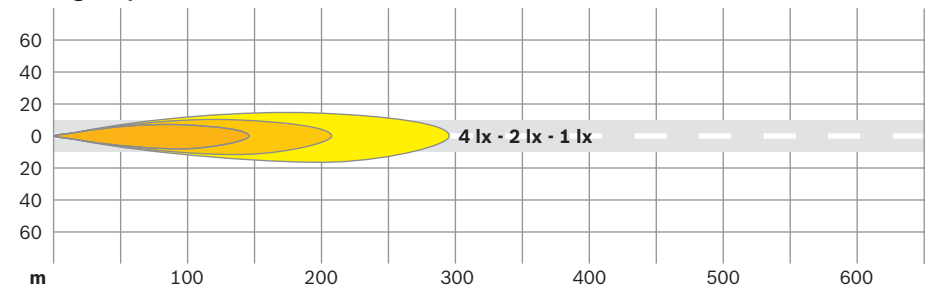
With M10 threaded stud.

Mounting

Optionally upright or suspended.

Standard

ECE approval.

Driving lamp 12 V/55 W**Touring 165**

Colorless **0 306 605 001**

Accessories and spare parts

Protective cap **1 300 516 017¹⁾**

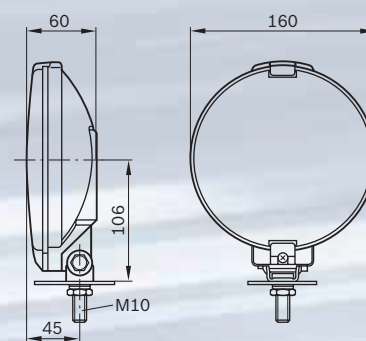
Type of bulb

H3 12 V/55 W **1 987 302 031**

H3 24 V/70 W **1 987 302 431**

¹⁾ Observe legal regulations and safety instructions.

Pilot 160



The all-rounder for additional mounting as a driving lamp.

Headlamp housing

Glass-fiber-reinforced polyamide housing, matt black surface.

Lens

Colorless.

Attachment

With M10 threaded stud.

Mounting

Optionally upright or suspended.

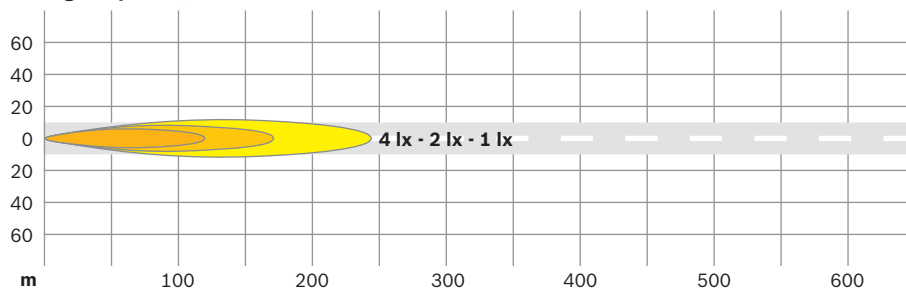
Scope of delivery

SB packaging: Complete installation kit, 2 headlamps with H3 bulbs, wiring harness, relay, fuse carrier, assembly parts and installation instructions.

Standard

ECE approval.

Driving lamp 12 V/55 W



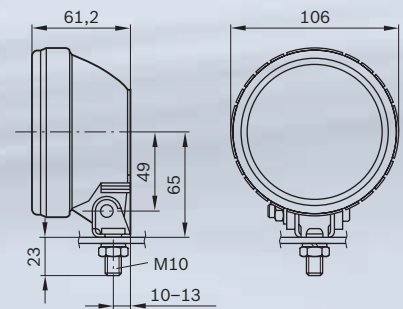
Pilot 160	
Colorless	0 306 606 001
SB packaging	0 306 606 901 <input type="checkbox"/>

Accessories and spare parts	
Protective cap	1 300 516 024 ¹⁾
Protective grille	1 305 501 153
Driving-lamp unit, colorless	1 305 334 915
Driving-lamp unit, yellow	1 305 334 916
Holder for unit, transparent	1 301 091 004

Type of bulb		
H3	12 V/55 W	1 987 302 031
H3	24 V/70 W	1 987 302 431

¹⁾ Observe legal regulations and safety instructions.

Compact 100



Power that's well worth seeing. Longer range, enhanced road illumination for earlier detection of obstacles. A better view at dusk and at night.

Headlamp housing

Glass-fiber-reinforced polyamide housing, matt black surface. Waterproof ventilation system with GORE-TEX® membrane.

Lens

Colorless.

Mounting

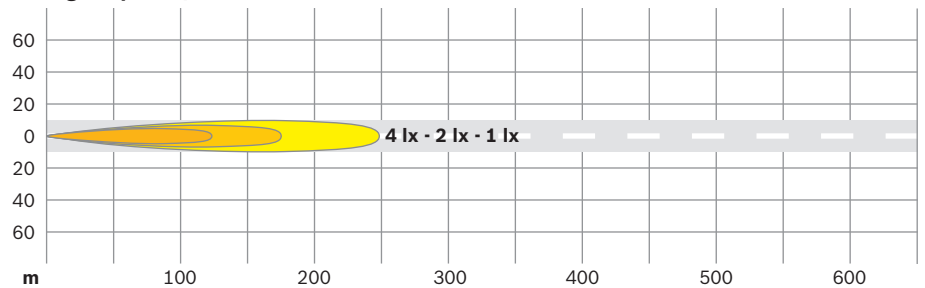
Optionally upright or suspended.

Scope of delivery

SB packaging: Complete installation kit, 2 headlamps with H3 bulbs 12 V/55 W, wiring harness, relay, fuse carrier, switch, assembly parts and installation instructions.

Standard

ECE approval.

Driving lamp 12 V/55 W**Compact 100**

Colorless	0 306 055 001
SB packaging	0 306 055 901 <input type="checkbox"/>

Accessories and spare parts

Driving-lamp unit, colorless	1 305 300 924
Holding ring	1 305 520 010
Mounting kit	1 307 010 158

Type of bulb

H3	12 V/55 W	1 987 302 031
-----------	-----------	----------------------

Compass 3000 HNS



Maximum luminous efficiency thanks to computer-calculated HNS reflector technology and clear lens for homogeneous light distribution and a perfect view.

Headlamp housing

High-quality plastic housing, painted in silver. Die-cast aluminum reflector.

Lens

Colorless. Plastic in accordance with ECE.

Mounting

Optionally upright or suspended.

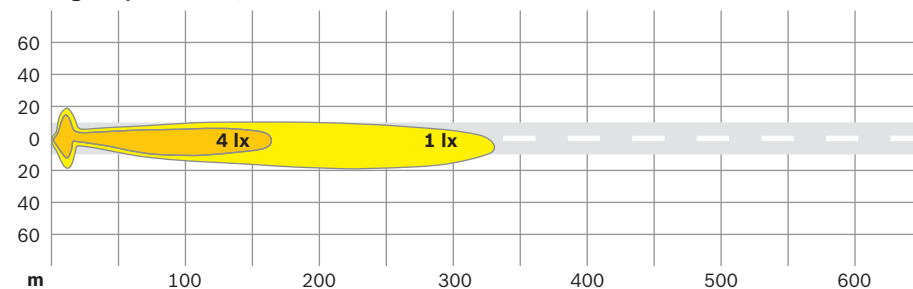
Scope of delivery

1 headlamp with black protective cap, 1 H1 halogen lamp, electrical connecting parts and operating instructions.

Standard

ECE approval.

Driving lamp ECE 12 V/55 W



Compass 3000 HNS		
ECE, colorless		0 986 310 536
Accessories and spare parts		
ECE driving lamp unit, colorless		1 987 305 060
Protective cap, black		1 987 305 090¹⁾
Protective cap, colorless, ECE		1 987 305 091¹⁾
Protective cap, blue		1 987 305 093¹⁾
Type of bulb		
H1	12 V/55 W	1 987 302 011

¹⁾ Observe legal regulations and safety instructions.

Compass 3000 off-road version



Headlamp housing

High-quality plastic housing, painted in silver. Die-cast aluminum reflector.

Lens

Colorless. Plastic in accordance with ECE.

Mounting

Optionally upright or suspended.

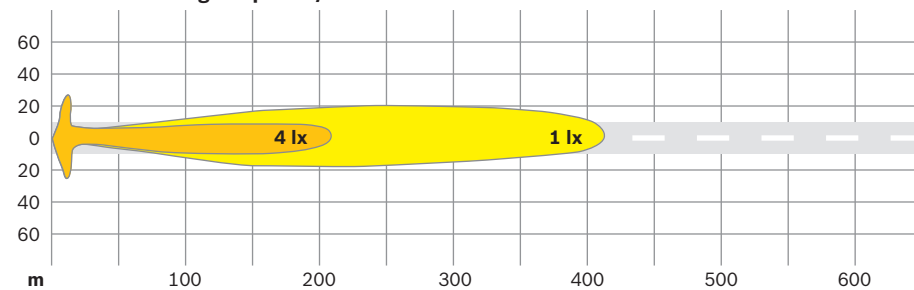
Scope of delivery

1 headlamp with black protective cap, 1 H1 halogen lamp, electrical connecting parts and operating instructions.

Standard

Observe legal regulations and safety instructions.

Pencil-beam driving lamp 12 V/55 W



Compass 3000 off-road version

Pencil beam, colorless **0 986 310 535¹⁾**

Accessories and spare parts

Pencil-beam driving-lamp unit **1 987 305 063¹⁾**

Protective cap, black **1 987 305 090¹⁾**

Protective cap, colorless, ECE **1 987 305 091¹⁾**

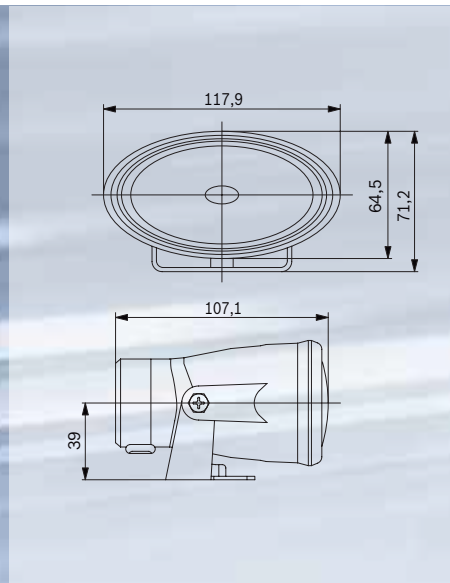
Protective cap, blue **1 987 305 093¹⁾**

Type of bulb

H1 12 V/55 W **1 987 302 011**

¹⁾ Observe legal regulations and safety instructions.

Compass 1000



High-quality die-cast aluminum housing in trendy design. Maximum luminous efficiency thanks to HNS reflector technology. Small dimensions for flexible mounting on any vehicle – stainless-steel carrier.

Headlamp housing

High-quality die-cast aluminum housing, painted in silver.

Attachment

Using bracket.

Lens

Colorless.

Mounting

Optionally upright or suspended.

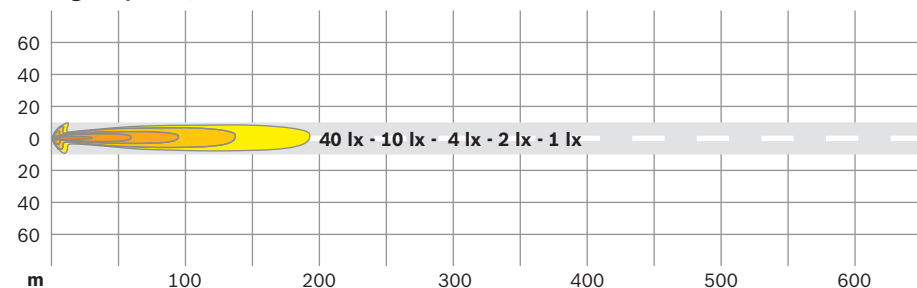
Scope of delivery

Workshop packaging: 1 headlamp with H1 halogen lamp, electrical connecting parts.

Standard

ECE approval.

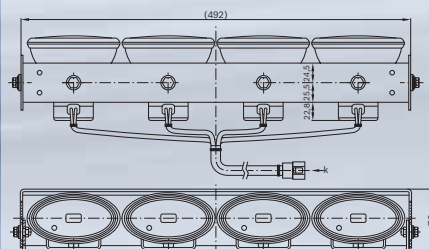
Driving lamp 12 V/55 W



Compass 1000	
Colorless	0 986 310 520

Type of bulb	
H1	12 V/55 W 1 987 302 011

Compass 1000 LIGHT BAR



Bundled light output from pre-assembled 4-set. Optimum road illumination – even in extremely difficult visibility – thanks to individually adjustable driving lamps. Up-to-the-minute design. HNS reflector technology. Flexible mounting on any vehicle.

Headlamp housing

High-quality die-cast aluminum housing, painted in silver.

Lens

Colorless.

Attachment

With stainless-steel screws and nuts. Assembly using 2 stabilizing carriers. Variable mounting possible thanks to adjustable frame.

Mounting

Optionally upright or suspended.

Electrical connection

Pre-assembled wiring.

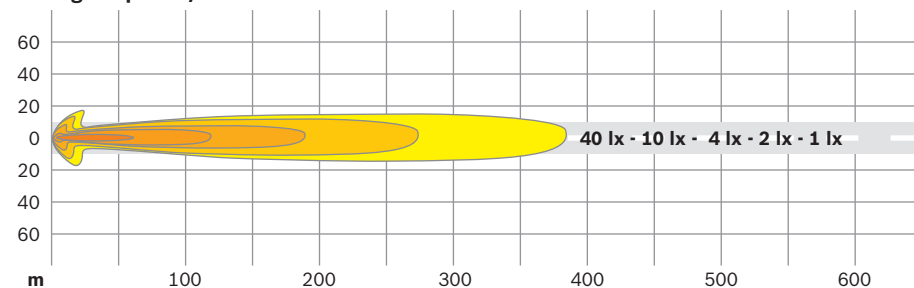
Scope of delivery

SB packaging: 4 pre-assembled headlamps with assembly frame and wiring, 4 H1 halogen lamps, electrical connecting parts, 2 stability rods, 2 brackets, operating instructions.

Standard

Observe legal regulations and safety instructions.

Driving lamp 12 V/55 W



Compass 1000 LIGHT BAR

Colorless **0 986 310 920**

Type of bulb

H1 12 V/55 W **1 987 302 011**

Pilot 150



Extra-flat additional headlamps for vehicles with narrow bumper. Ideal for compact-class vehicles. Impact-resistant, fracture-proof and non-corroding.

Headlamp housing

Glass-fiber-reinforced polyamide housing, matt black surface.

Lens

Colorless or yellow.

Mounting

Optionally upright, suspended and from rear.

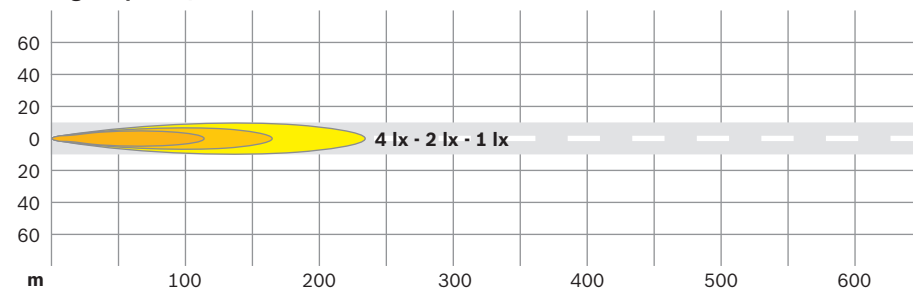
Scope of delivery

SB packaging: Complete installation kit, 2 headlamps with H3 bulbs, wiring harness, relay, fuse carrier, switch, assembly parts and installation instructions (driving lamp without switch).

Standard

ECE approval.

Driving lamp 12 V/55 W



Pilot 150		
Colorless		0 306 407 101
Attachment with threaded stud		
Colorless		0 306 407 101
Yellow		0 306 407 002 ¹⁾
SB packaging		0 306 407 901 <input type="checkbox"/>
Accessories and spare parts		
Protective cap		1 300 591 096 ¹⁾
Guard		1 305 540 165
Driving-lamp unit, colorless		1 305 354 935
Driving-lamp unit, yellow		1 305 354 936 ¹⁾²⁾
Holder for unit, colorless		1 301 091 002
Fastening screw		2 918 140 027
Type of bulb		
H3	12 V/55 W	1 987 302 031
H3	24 V/70 W	1 987 302 431

¹⁾ Observe legal regulations and safety instructions.

²⁾ Available while stocks last.

Touring 170



Medium-sized additional headlamps.
For mounting on roof and bumper. Impact-resistant, fracture-proof and non-corroding.

Headlamp housing

Glass-fiber-reinforced polyamide housing, matt black surface.

Lens

Colorless or yellow.

Attachment

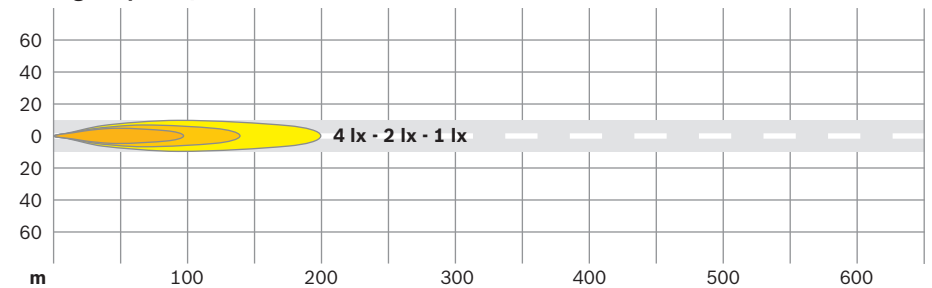
With M10 threaded stud.

Mounting

Optionally upright or suspended.

Standard

ECE approval.

Driving lamp 12 V/55 W**Touring 170**

Colorless	0 306 604 001
Yellow	0 306 604 002¹⁾²⁾

Accessories and spare parts

Protective cap	1 300 591 049¹⁾
Driving-lamp unit, colorless	1 305 354 913
Hinged grommet	1 300 312 010

Type of bulb

H3	12 V/55 W	1 987 302 031
H3	24 V/70 W	1 987 302 431

¹⁾ Observe legal regulations and safety instructions.

²⁾ Available while stocks last.

Profi 210



Additional headlamp in steel housing. Robust and vibration-resistant. Scratch-resistant and non-corroding. Ideal for trucks and buses.

Headlamp housing

Waterproof steel housing. Version with yellow lens: Black resicoated housing.

Lens

Colorless, yellow or blue.

Attachment

With 2 screws at side or pivoting fastening bracket with M 10 threaded stud.

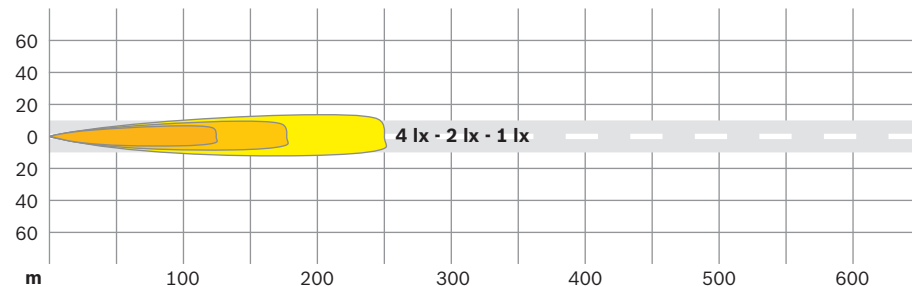
Mounting

Upright and suspended.

Standard

ECE approval.

Driving lamp 12 V/55 W



Profi 210	
Attachment with 2 screws at side	
Colorless	0 306 001 201
Attachment using pivoting fastening bracket with M10 threaded stud	
Colorless	0 986 310 537
Yellow	0 306 001 005¹⁾²⁾
Blue	0 986 310 538

Accessories and spare parts	
Protective cap	1 300 591 053¹⁾
Guard (for version with yellow lens only)	1 305 540 933²⁾
Driving-lamp unit, colorless	1 305 320 818
Driving-lamp unit, yellow	1 305 320 819¹⁾²⁾
Outer rim	1 305 540 932

Type of bulb		
H3	12 V/55 W	1 987 302 031
H3	24 V/70 W	1 987 302 431

¹⁾ Observe legal regulations and safety instructions.
²⁾ Available while stocks last.

Additional headlamps – Fog lamps

Range overview



A32 **Compact 100** – Small fog lamp with the latest-generation lighting engineering and colorless lens. Ideally suited for integrated mounting and installation. Also available as a driving lamp.



A31/35 **Pilot** – Fog lamp. Extra-flat housing. Specially designed for mounting on narrow bumpers. Version without mounting base is suitable for installation in spoiler or radiator grille. Also available as a driving lamp.



A36 **Scout**
Small but high-performance fog lamp for mounting and installation in body opening.



A29/30/34 **Touring** – Fog lamp. Version without mounting base is suitable for installation in spoiler or radiator grille. Also available as a driving lamp.



A28 **Rallye** – Fog lamp. Exceptionally high lighting efficiency thanks to large and deep reflector. Tried and tested in motor sport. Also available as a driving lamp.



A33 **Profi** – Fog lamp. Robust and resistant to vibration. Ideal for tough day-to-day use on commercial vehicles. Also available as a driving lamp.



Information



A total of two additional front fog lamps are permissible on each vehicle. These must be capable of being switched on and off separately from the upper and lower-beam headlamps. They may only be switched on together with the lower-beam headlamps. Adjustment is as for the main headlamps. Adjustment dimensions and statutory regulations must always be adhered to.

There are three different optical principles for additional fog lamps:

Paraboloid

A parabolic reflector reflects paraxial light (such as upper beam), which is drawn out into a horizontal band by the lens. A screen restricts the upward radiation of light.

Free-form technology

Using computer-aided calculation methods (CAL technology), reflectors are designed to scatter the light directly and at the same time produce a sharply defined light-dark cutoff. The design of the bulb surround ensures an extremely high light volume with maximum diffusion.

PES fog lamps

In fog, this technology ensures a minimum of dazzle for the driver from his/her own lamps. The lens helps to ensure the best-possible light-dark cutoff contrast on the road.

Rallye 225



Robust additional headlamps – developed for rally sport. Optimum light and best road illumination for heavy-duty applications.

Headlamp housing

Waterproof steel housing, black resicoated.

Lens

Colorless. Lens aperture Ø 205 mm.

Attachment

With M12 threaded stud.

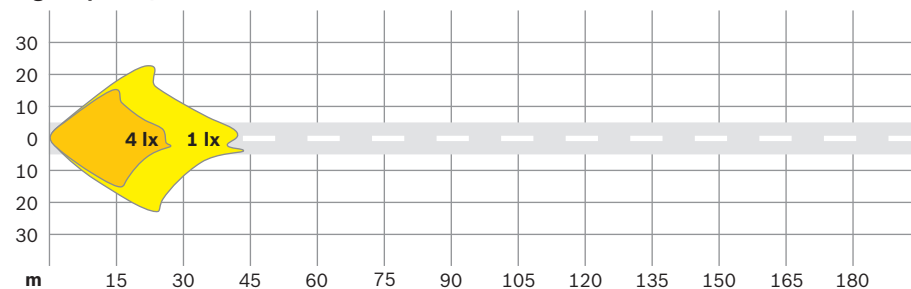
Mounting

Upright.

Scope of delivery

Assembly parts included.

Fog lamp 12 V/55 W



Rallye 225	
Colorless	0 305 002 001

Accessories and spare parts	
Protective cap	1 300 516 018¹⁾²⁾
Fog-lamp unit, colorless	1 305 334 911

Type of bulb		
H3	12 V/55 W	1 987 302 031
H3	24 V/70 W	1 987 302 431
T 4 W	12 V/4 W	1 987 302 207
T 4 W	24 V/4 W	1 987 302 512

¹⁾ Observe legal regulations and safety instructions.
²⁾ Available while stocks last.

Touring 190



Additional headlamp made of steel in exceptionally flat design. Scratch-resistant and non-corroding.

Headlamp housing

Waterproof steel housing, black resicoated.

Lens

Colorless.

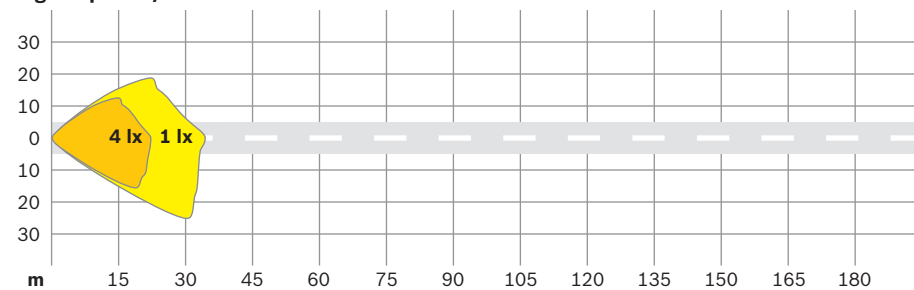
Attachment

With M10 threaded stud.

Mounting

Upright.

Fog lamp 12 V/55 W



Touring 190		
Colorless		0 306 900 005

Accessories and spare parts		
Protective cap		1 300 502 012¹⁾

Type of bulb		
H3	12 V/55 W	1 987 302 031
H3	24 V/70 W	1 987 302 431

¹⁾ Observe legal regulations and safety instructions.

Touring 165



Flat additional headlamp for better visibility in fog, rain and snow. Impact-resistant, fracture-proof and non-corroding.

Headlamp housing

Glass-fiber-reinforced polyamide housing, matt black surface.

Lens

Colorless or yellow.

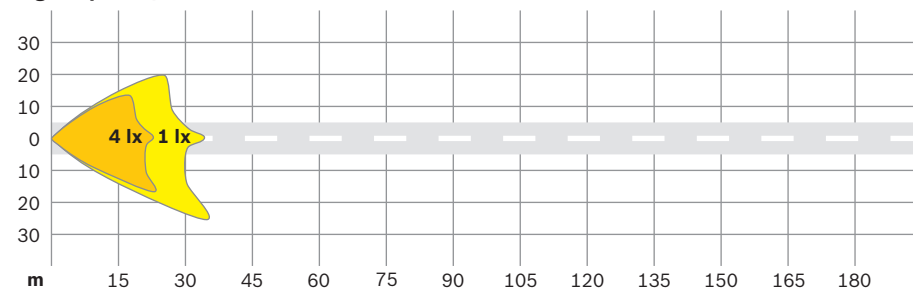
Attachment

With M10 threaded stud.

Mounting

Optionally upright or suspended.

Fog lamp 12 V/55 W



Touring 165	
Colorless	0 305 602 001
Yellow	0 305 602 002

Accessories and spare parts	
Protective cap	1 300 516 017¹⁾
Fog-lamp unit, yellow	1 305 334 904

Type of bulb	
H3	12 V/55 W 1 987 302 031
H3	24 V/70 W 1 987 302 431

¹⁾ Observe legal regulations and safety instructions.

Pilot 160



The all-rounder for additional mounting as a fog lamp.

Headlamp housing

Glass-fiber-reinforced polyamide housing, matt black surface.

Lens

Colorless or yellow.

Attachment

With M10 threaded stud.

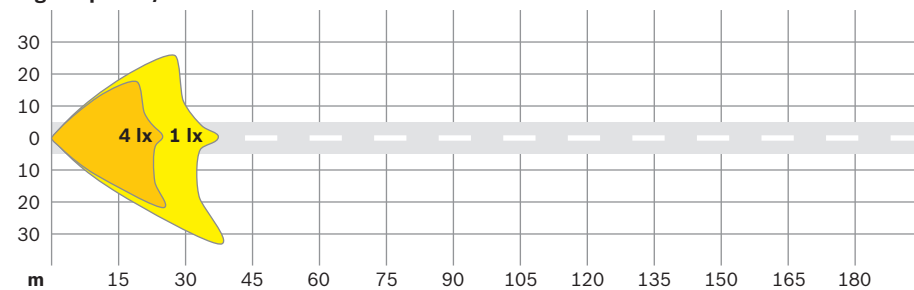
Mounting

Optionally upright or suspended.

Scope of delivery

□ SB packaging: Complete installation kit, 2 headlamps with H3 bulbs, wiring harness, relay, fuse carrier, switch, assembly parts and installation instructions.

Fog lamp 12 V/55 W



Pilot 160

Colorless	0 305 603 001
SB packaging	0 305 603 901 □
Yellow	0 305 603 002
SB packaging	0 305 603 902 □

Accessories and spare parts

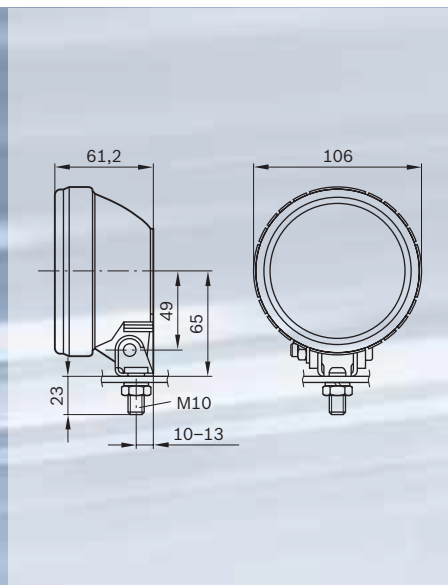
Protective cap	1 300 516 024¹⁾
Guard	1 305 501 153
Fog-lamp unit, colorless	1 305 334 913
Fog-lamp unit, yellow	1 305 334 914
Holder for unit, colorless	1 301 091 004

Type of bulb

H3	12 V/55 W	1 987 302 031
H3	24 V/70 W	1 987 302 431

¹⁾ Observe legal regulations and safety instructions.

Compact 100



Optimum luminous efficiency thanks to computer-calculated HNS reflector geometry. Considerably more light than with conventional headlamps of identical size.

Headlamp housing

Glass-fiber-reinforced polyamide housing, matt black surface. Waterproof ventilation system with GORE-TEX® membrane.

Lens

Colorless or yellow.

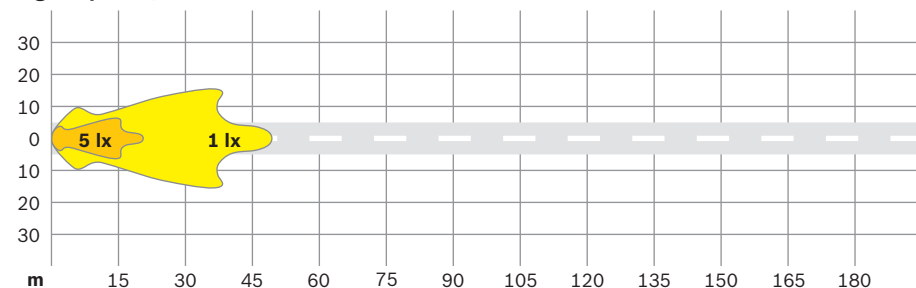
Mounting

Optionally upright, suspended and side-mounted.

Scope of delivery

□ SB packaging: Complete installation kit, 2 headlamps with H3 bulbs 12 V/55 W, wiring harness, relay, fuse carrier, switch, assembly parts and installation instructions.

Fog lamp 12 V/55 W



Compact 100	
Colorless	0 305 055 001
SB packaging	0 305 055 901 □
Yellow	0 305 055 002

Accessories and spare parts	
Fog-lamp unit, colorless	1 305 300 921
Fog-lamp unit, yellow	1 305 300 922
Holding ring	1 305 520 010
Mounting kit	1 307 010 158

Type of bulb	
H3 12 V/55 W	1 987 302 031

Profi 210



Fog lamp in steel housing. Robust and vibration-resistant. Scratch-resistant and non-corroding. Ideal for trucks and buses.

Headlamp housing

Waterproof steel housing.

Lens

Colorless or yellow.

Attachment

Pivoting fastening bracket with M10 threaded stud.

Mounting

Upright and suspended.

Profi 210

Colorless	0 986 310 539
-----------	----------------------

Accessories and spare parts

Protective cap	1 300 591 053¹⁾
Guard	1 305 540 933
Fog-lamp unit, colorless	1 305 320 816
Fog-lamp unit, yellow	1 305 320 817
Outer rim	1 305 540 932²⁾

Type of bulb

H3	12 V/55 W	1 987 302 031
H3	24 V/70 W	1 987 302 431

¹⁾ Observe legal regulations and safety instructions.

²⁾ Available while stocks last.

Touring 170



Medium-sized additional headlamps.
For mounting on roof and bumper. Impact-resistant, fracture-proof and non-corroding.

Headlamp housing

Glass-fiber-reinforced polyamide housing, matt black surface.

Lens

Colorless or yellow.

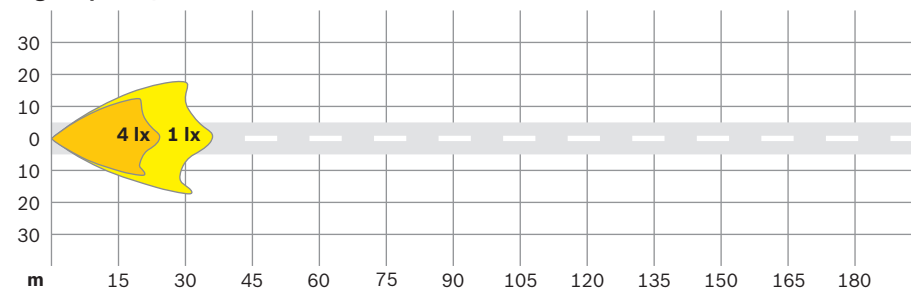
Attachment

With M10 threaded stud.

Mounting

Optionally upright, suspended and from rear with pivoting fastening bracket.

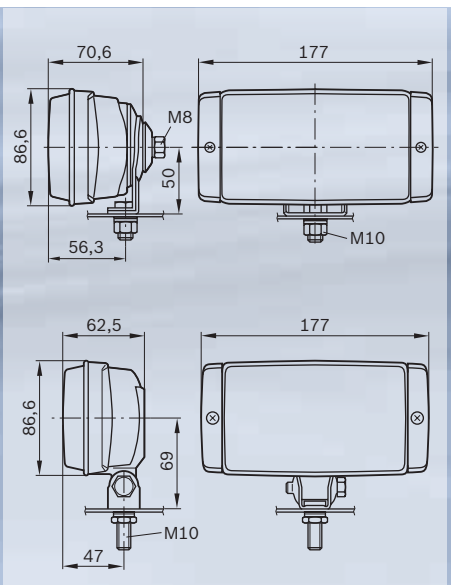
Fog lamp 12 V/55 W



Touring 170		
Mounted using pivoting fastening bracket with threaded stud		
Colorless		0 305 601 004
Yellow		0 305 601 005
Mounting from rear		
Colorless		0 305 601 104
Accessories and spare parts		
Protective cap		1 300 591 049¹⁾
Fog-lamp unit, colorless		1 305 354 912
Fog-lamp unit, yellow		1 305 354 925²⁾
Hinged grommet		1 300 312 010
Type of bulb		
H3	12 V/55 W	1 987 302 031
H3	24 V/70 W	1 987 302 431

¹⁾ Observe legal regulations and safety instructions.
²⁾ Available while stocks last.

Pilot 150



Extra-flat additional headlamps for vehicles with narrow bumper. Ideal for compact-class vehicles. Impact-resistant, fracture-proof and non-corroding.

Headlamp housing

Glass-fiber-reinforced polyamide housing, matt black surface.

Lens

Colorless or yellow.

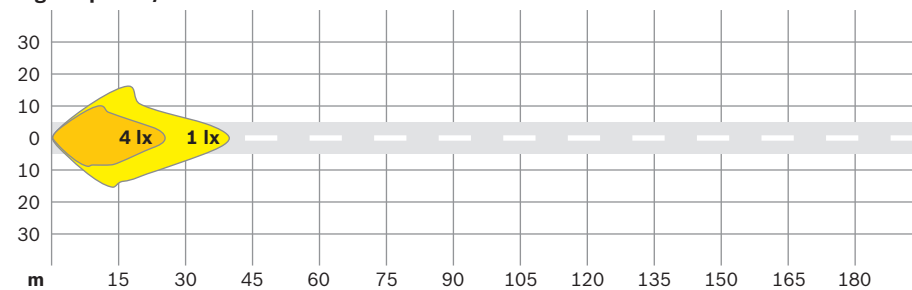
Mounting

Optionally upright, suspended and from rear.

Scope of delivery

□ SB packaging: Complete installation kit, 2 headlamps with H3 bulbs, wiring harness, relay, fuse carrier, assembly parts and installation instructions.

Fog lamp 12 V/55 W



Pilot 150

Mounting from rear or upright and suspended with fastening bracket

Colorless **0 305 406 101**

Yellow **0 305 406 102**

Attachment with threaded stud

Colorless **0 305 406 001**

SB packaging **0 305 406 901** □

Yellow **0 305 406 002**

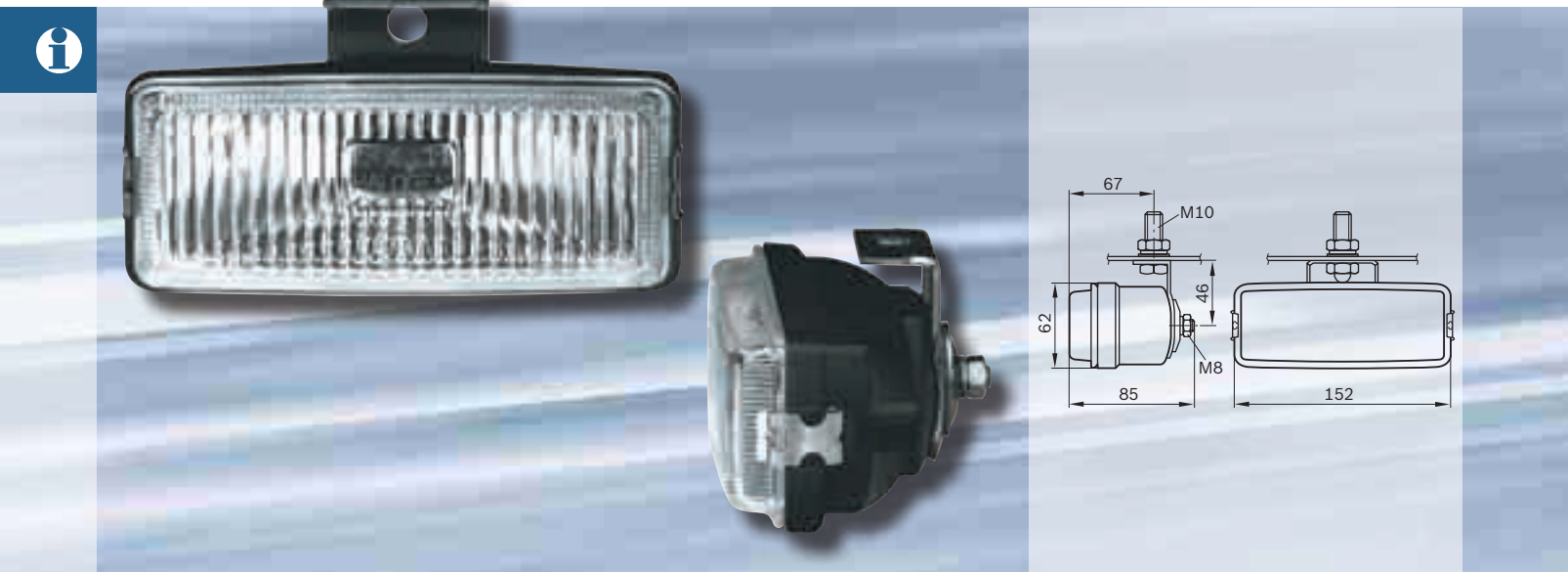
SB packaging **0 305 406 902** □

Type of bulb

H3 12 V/55 W **1 987 302 031**

H3 24 V/70 W **1 987 302 431**

Scout



Small, high-performance fog lamp for mounting and installation in body opening. Better visibility in fog, rain and snow.

Headlamp housing

Glass-fiber-reinforced polyamide housing, matt black, impact-resistant, fracture-proof and non-corroding surface.

Lens

Colorless.

Attachment

Using central threaded stud.

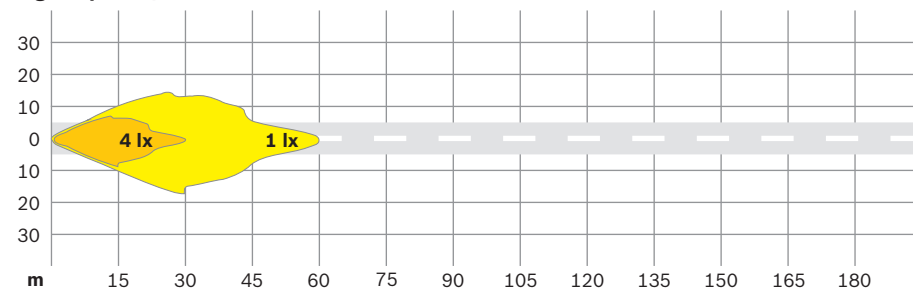
Mounting

Optionally upright or suspended.

Scope of delivery

□ SB packaging: Complete installation kit, 2 headlamps with H3 bulbs, wiring harness, relay, fuse carrier, switch, assembly parts and installation instructions.

Fog lamp 12 V/55 W



Scout	
Colorless	0 305 555 001
SB packaging	0 305 555 901 □

Accessories and spare parts	
Fog-lamp unit, colorless	1 305 354 945
Grommet	1 300 212 024

Type of bulb	
H3 12 V/55 W	1 987 302 031

Floodlamps

Range overview



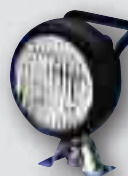
A40/41

Compact 100 – Floodlamp.
Compact 100 Leisure – Floodlamp with magnetic attachment.



A42

ASW 105 – Floodlamp, with option of handle and switch.



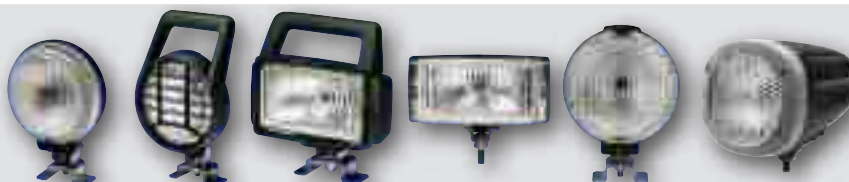
A43

Kiruna 140 – Floodlamp, with option of handle and switch.



A44/46/49
A50/52

Pilot – Floodlamp.



A48

ASW 140 x 65 – Floodlamp for extremely confined installation locations.



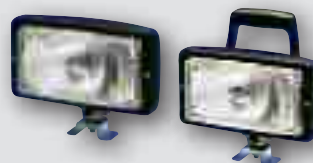
A45/47

Touring – Floodlamp, with option of handle and switch.



A51

Profi – Exceptionally robust floodlamp, complete with guard.

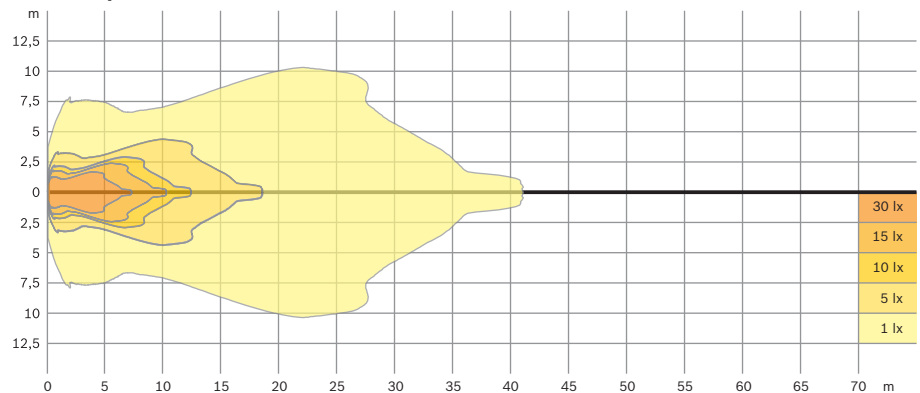


Information

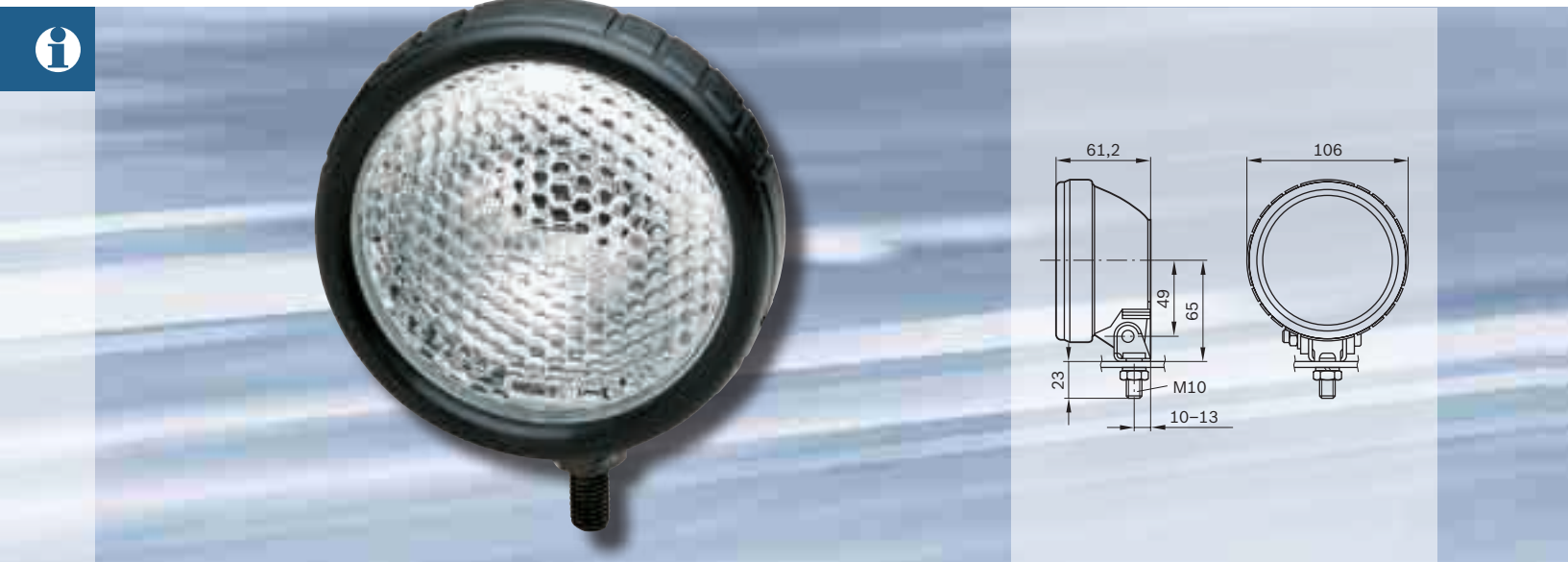
**Floodlamps**

Floodlamps are used to illuminate the area you are working in. Their robust design makes floodlamps particularly well suited for mounting on commercial vehicles and opens up a wide variety of applications. Floodlamps are widely used in construction, agriculture and forestry, transport, municipal services, by the emergency services and in shipping.

Floodlamps feature large, uniform light distribution. This allows a large working area to be illuminated at close range.

Floodlamps

Compact 100



Compact floodlamp for fitting in confined spaces.

Technical features

Computer-generated reflector for increased luminous efficiency compared to conventional headlamps of the same size. Bulbs can be changed from the front using a bayonet-lock ring, making service easy as no tools are required.

Headlamp housing

Glass-fiber-reinforced plastic, matt black, impact-resistant, fracture-proof and non-corroding surface.

Lens

Colorless lens with optical fluting, reflector in waterproof seal.

Mounting

Optionally upright, suspended or side-mounted (90° offset).

Attachment

Pivoting, black-chromated, corrosion-resistant M10 threaded stud.

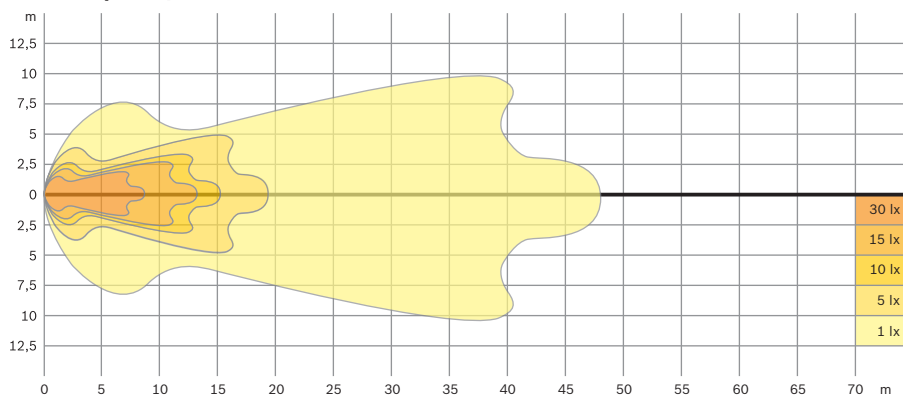
Electrical connection

Two-pole, blade-terminal connections, cable entry through integrated rubber grommet.

Scope of delivery

In single pack: 1 lamp with assembly parts. Halogen H3 bulb to be ordered separately.

Floodlamp 12 V/55 W



Compact 100

0 306 055 101

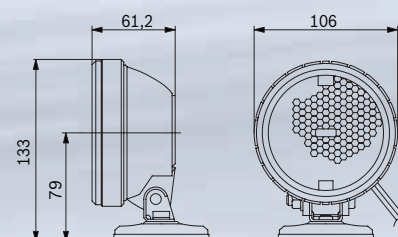
Accessories and spare parts

Headlight unit **1 305 300 928**

Type of bulb

H3 12 V/55 W **1 987 302 031**

Compact 100 Leisure



Floodlamp with magnetic attachment, spiral-type 3.5 m cable and multi-purpose automotive connector. Ideal for hobbies, leisure, in case of breakdowns, and for working.

Technical features

Computer-generated reflector for increased luminous efficiency compared to conventional headlamps of the same size. Bulbs can be changed from the front using a bayonet-lock ring, making service easy as no tools are required.

Headlamp housing

Glass-fiber-reinforced plastic, matt black, impact-resistant, fracture-proof and non-corroding surface.

Lens

Colorless lens with optical fluting, reflector in waterproof seal.

Attachment

Magnetic Ø 71 mm.

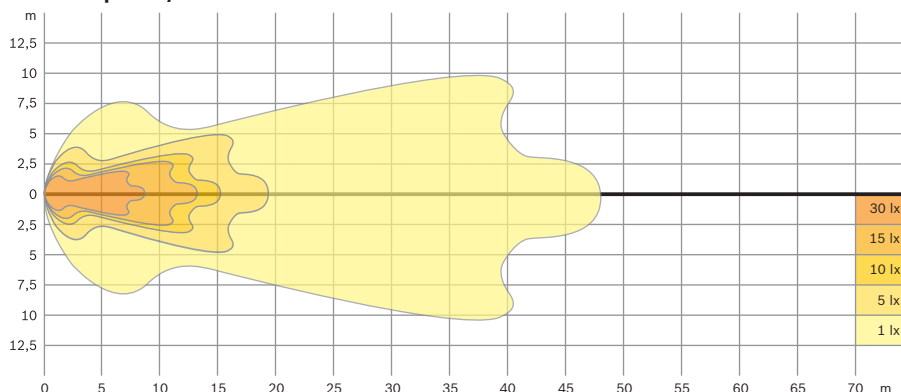
Pivoting range

Pivots through 90°.

Electrical connection

2 x 0.75 m cable, stretched length 3.50 m, 2-pin plug for DIN ISO 4165 socket and car cigarette lighter.

Floodlamp 12 V/35 W



Scope of delivery

In single SB pack: 1 lamp including H3 halogen bulb 12V/35 W, magnet, 3.5 m spiral cable with multi-purpose automotive connector, assembled, ready to use.

Compact 100 Leisure

0 306 055 102

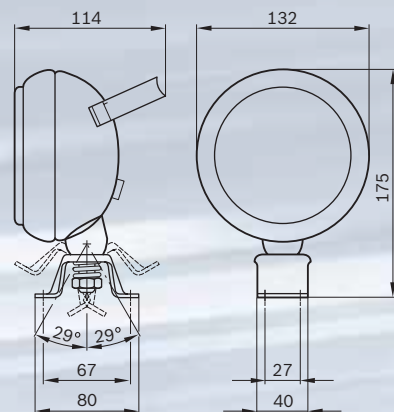
Accessories and spare parts

Headlight unit **1 305 300 928**

Type of bulb

H3 12 V/35 W Order externally

105



Floodlamp for F2 bulb, steel model with handle and switch.

Headlamp housing

Steel, black resicoated, scratch-resistant and non-corroding.

Lens

Colorless lens with rectangular fluting.

Mounting

Upright.

Attachment

Pivoting, non-corroding fastening bracket with 4 holes for M 6 bolts

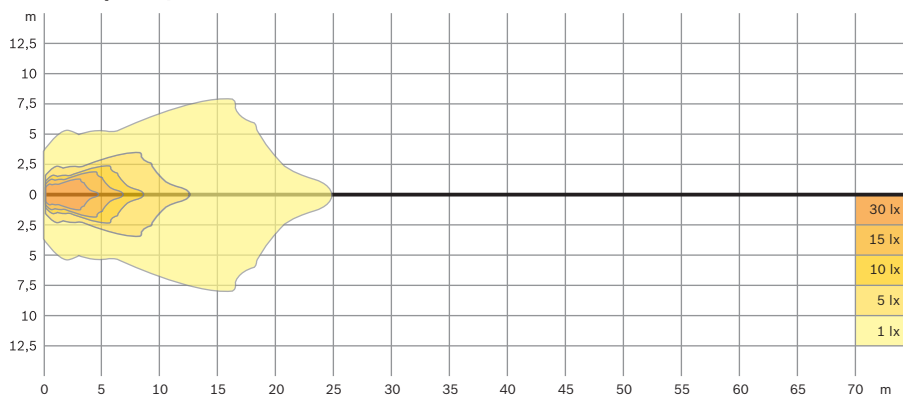
Pivoting range

29° forwards, 29° to rear, 315° lateral.

Electrical connection

Single-pole (separate ground connection provided). Screw connection, cable entry through rubber grommet

Floodlamp 12 V/35 W



105

With handle and switch **0 306 181 009**

Accessories and spare parts

Lens **1 305 600 030**

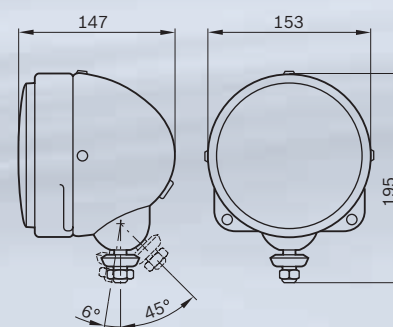
Sealing frame **1 300 212 010**

Type of bulb

F2 BA20s 12 V/35 W Osram 7309

F2 BA20s 24 V/35 W Osram 7409

Kiruna 140


Vibration-resistant floodlamp for heavy-duty applications.
Headlamp housing

Steel, black-resicoated, scratch-resistant and non-corroding.

Headlight unit

Reflector has watertight bond to lens and is mounted in housing with vibration absorbing rubber ring. This results in low transmission of vibration.

Lens

Colorless lens with rectangular fluting.

Mounting

Optionally upright or suspended on horizontal, vertical or angled surfaces.

Attachment

Pivoting, non-corroding M12 threaded stud.

Pivoting range

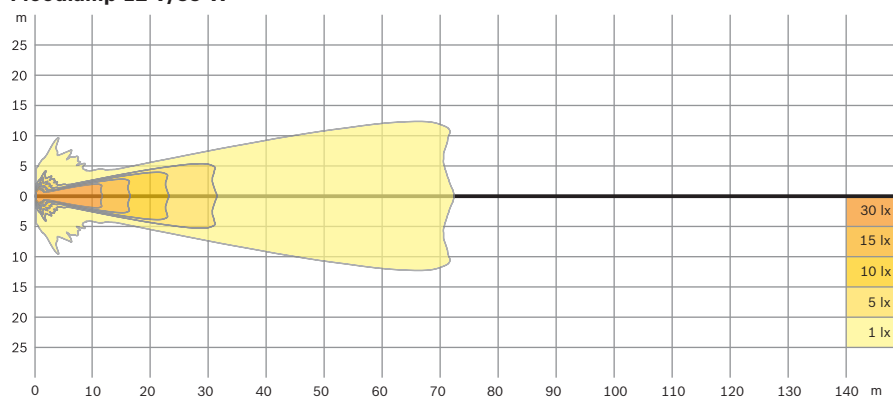
6° forwards, 45° to rear, 360° lateral.

Electrical connection

Single-pole, blade-terminal connection, cable entry through rubber grommet.

Scope of delivery

In single pack: 1 lamp with assembly parts. Halogen H1 bulb to be ordered separately.

Floodlamp 12 V/55 W

Kiruna 140

0 306 382 001

Accessories and spare parts

Headlight unit	1 305 302 021
Sealing frame	1 301 015 115
Housing with sealing frame	1 305 122 901

Type of bulb

H1	12 V/55 W	1 987 302 011
H1	12 V/100 W	1 987 302 016
H1	24 V/70 W	1 987 302 411

Pilot 140



Waterproof floodlamp, available with or without practical handle and guard. For heavy-duty applications.

Headlamp housing

Glass-fiber-reinforced plastic, matt black surface. Impact-resistant, non-corroding and fracture-proof.

Lens

Colorless lens, with waterproof bonding to reflector.

Mounting

Optionally upright or suspended.

Attachment

Pivoting, corrosion-resistant fastening bracket with 4 holes for M 6 bolts

Pivoting range

30° forwards, 110° to rear, 360° lateral.

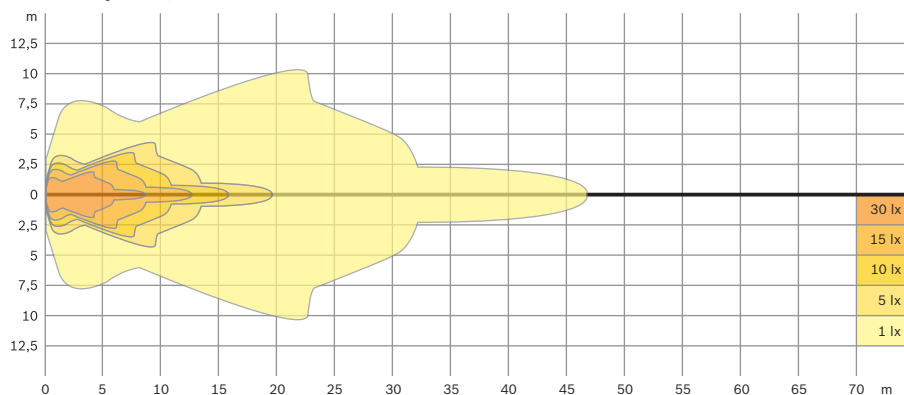
Electrical connection

Two-pole, blade-terminal connections, cable entry through splash-proof rubber grommet.

Scope of delivery

In single pack: 1 lamp with assembly parts. Halogen H3 bulb to be ordered separately.

Floodlamp 12 V/55 W



Pilot 140

Without handle, without guard	0 306 481 001
With handle and guard	0 306 481 004

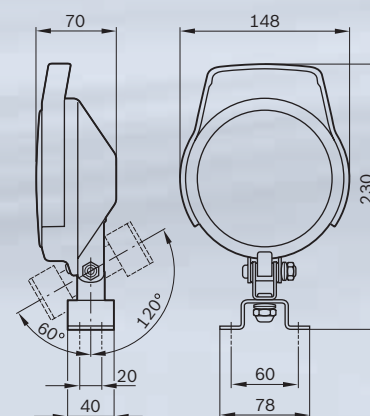
Accessories and spare parts

Guard without handle (for ...001)	1 305 501 121
Headlight unit	1 305 301 918
Hinged grommet	1 300 312 010
Fastening bracket	1 307 022 236

Type of bulb

H3	12 V/55 W	1 987 302 031
H3	24 V/70 W	1 987 302 431

Touring 140



With switch and handle for convenient regulation of pivoting range.

Headlamp housing

Steel, black-resicoated, scratch-resistant and non-corroding.

Lens

Colorless lens, with waterproof bonding to reflector.

Mounting

Optionally upright or suspended.

Attachment

Pivoting, corrosion-resistant fastening bracket with 4 holes for M6 bolts

Pivoting range

60° forwards, 120° to rear, 360° lateral.

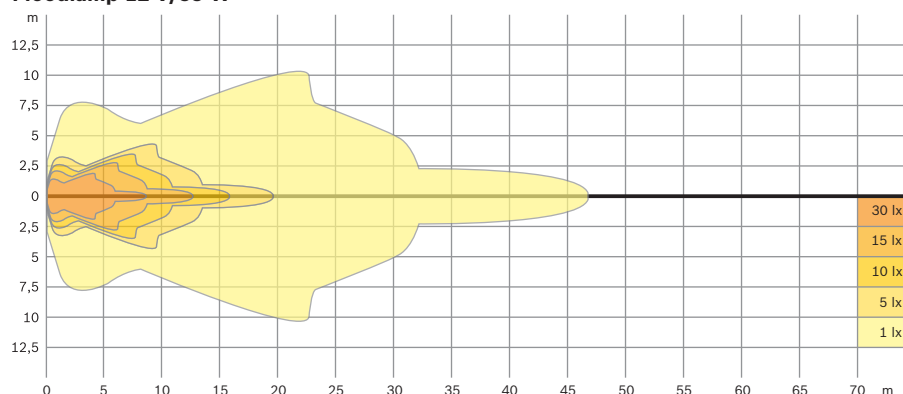
Electrical connection

Single-pole (separate ground connection provided), blade-terminal connections, cable entry through rubber grommet.

Scope of delivery

In single pack: 1 lamp with assembly parts.
Halogen H3 bulb to be ordered separately.

Floodlamp 12 V/55 W



Touring 140

With handle and switch **0 306 480 002**

Accessories and spare parts

Headlight unit **1 305 301 918**

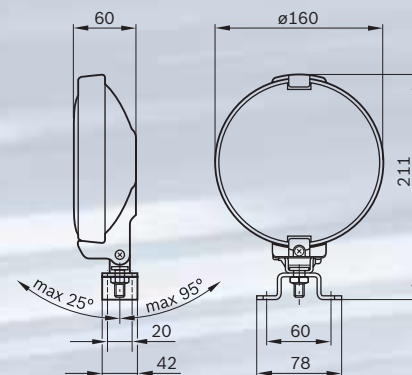
Fastening bracket **1 307 022 236**

Type of bulb

H3 12 V/55 W **1 987 302 031**

H3 24 V/70 W **1 987 302 431**

Pilot 160



Floodlamp with fastening bracket for flexible installation. Universal application range. Optimum homogeneous light distribution.

Headlamp housing

Glass-fiber-reinforced plastic, matt black surface.

Headlight unit

Interchangeable.

Mounting

Upright and suspended.

Attachment

With pivoting forked holder for mounting on body or bumper

Pivoting range

25° forwards, 95° to rear, 360° lateral.

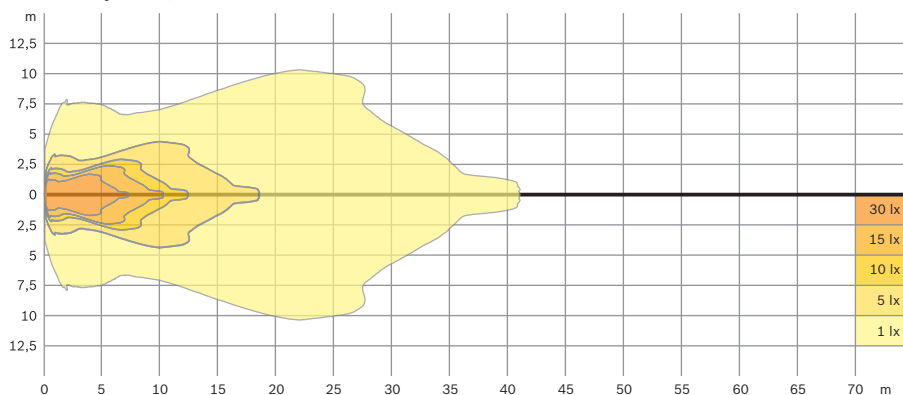
Electrical connection

Cable entry through grommet for single cores.

Scope of delivery

Individual packaging: 1 lamp with assembly parts. Halogen H3 bulb to be ordered separately.

Floodlamp 12 V/55 W

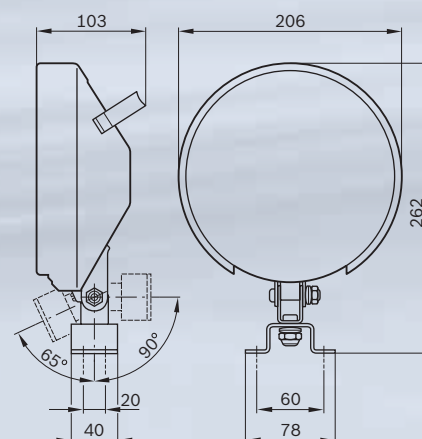


Pilot 160	0 306 680 001
------------------	----------------------

Accessories and spare parts	
Holder for unit	1 301 091 004
Fastening bracket	1 307 022 236

Type of bulb	
H3	12 V/55 W 1 987 302 031
H3	24 V/70 W 1 987 302 431

Touring 190

**With and without handle and switch.****Headlamp housing**

Steel, black resicoated, scratch-resistant and non-corroding.

Lens

Colorless lens, with waterproof bonding to reflector.

Mounting

Upright and suspended.

Attachment

Pivoting, corrosion-resistant fastening bracket with 4 holes for M6 bolts

Pivoting range

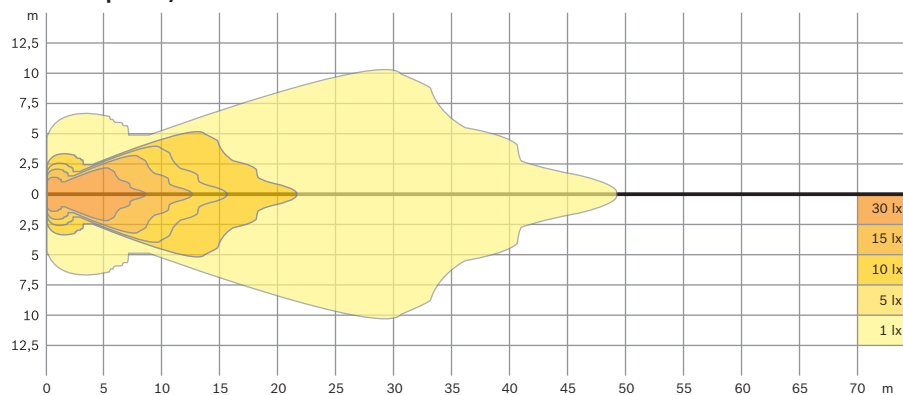
65° forwards, 90° to rear, 360° lateral.

Electrical connection

Single pole (separate ground connection provided), blade-terminal connections, cable entry through rubber grommet.

Scope of delivery

In single pack: 1 lamp with assembly parts.
Halogen H3 bulb to be ordered separately.

Floodlamp 12 V/55 W**Touring 190**

With handle and switch **0 306 980 002**

Without handle,
without switch **0 306 980 003**

Accessories and spare parts

Headlight unit **1 305 313 935**

Fastening bracket **1 307 022 236**

Type of bulb

H3 12 V/55 W **1 987 302 031**

H3 12 V/100 W **1 987 302 036**

H3 24 V/70 W **1 987 302 431**

140 x 65



Particularly suitable for mounting in confined spaces and for all purposes.

Headlamp housing

Plastic, matt-black embossed.
Plastic reflector.

Lens

Colorless lens, plastic.

Mounting

Optionally upright or suspended on horizontal, vertical or angled surfaces.
Mounting examples: See illustration.

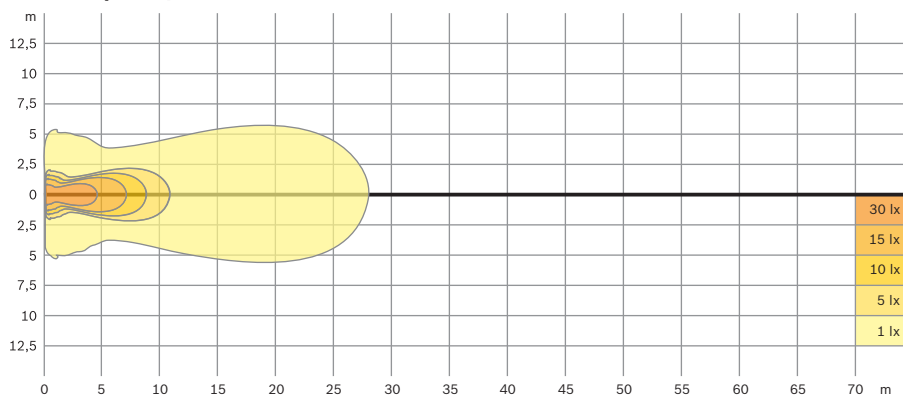
Attachment

With adjustable, corrosion-resistant fastening bracket (2 brackets supplied).

Electrical connection

Single pole, blade-terminal connection, cable entry through rubber grommet.

Floodlamp 12 V/21 W



140 x 65	0 306 483 001
-----------------	----------------------

Accessories and spare parts	
Lens	1 305 620 054

Type of bulb	
P21W 12 V/21 W	1 987 302 201
P21W 24 V/21 W	1 987 302 501

Pilot 145



Versatile floodlamp for a wide range of applications. Available with or without handle and with or without fastening bracket.

Headlamp housing

Glass-fiber-reinforced plastic, matt black surface. Impact-resistant, non-corroding and fracture-proof.

Lens

Colorless lens, with waterproof bonding to reflector.

Mounting

Optionally upright or suspended.

Attachment

Pivoting, corrosion-resistant fastening bracket with 4 holes for M6 bolts or pivoting, corrosion-resistant M10 threaded studs.

Pivoting range

30° forwards, 110° to rear, 360° lateral.

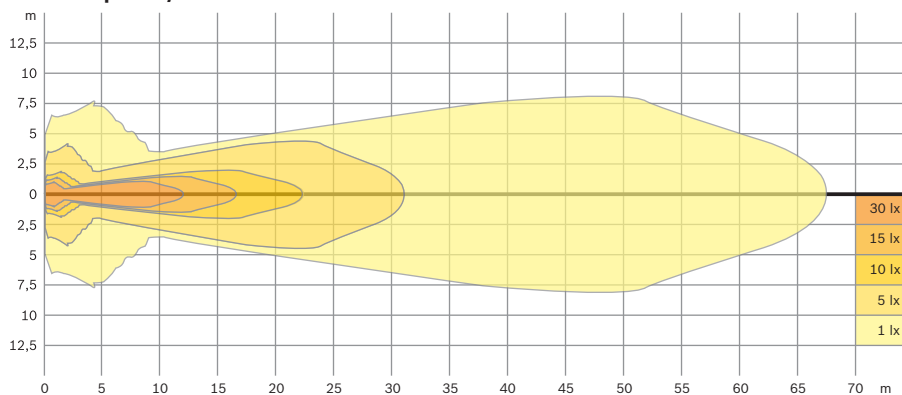
Electrical connection

Two-pole, blade-terminal connections, cable entry through splash-proof rubber grommet.

Scope of delivery

In single pack: 1 lamp with assembly parts. Halogen H3 bulb to be ordered separately.

Floodlamp 12 V/55 W



Pilot 145

With fastening bracket	0 306 482 001
Without fastening bracket	0 306 482 010
With handle, frame and fastening bracket	0 306 482 003

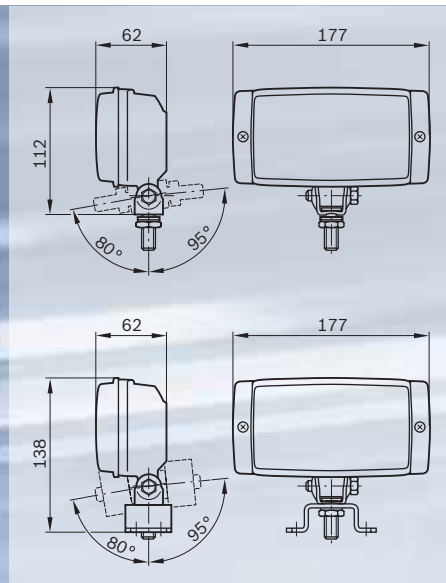
Accessories and spare parts

Headlight unit	1 305 354 911
Hinged grommet	1 300 312 010

Type of bulb

H3	12 V/55 W	1 987 302 031
H3	24 V/70 W	1 987 302 431

Pilot 150



Floodlamp with and without pivoting fastening bracket for flexible mounting
Universal application range. Optimum homogeneous light distribution.

Headlamp housing

Glass-fiber-reinforced plastic, matt black surface.

Headlight unit

Interchangeable.

Mounting

Upright and suspended.

Attachment

With pivoting forked holder for mounting on body or bumper

Pivoting range

80° forwards, 95° to rear, 360° lateral.

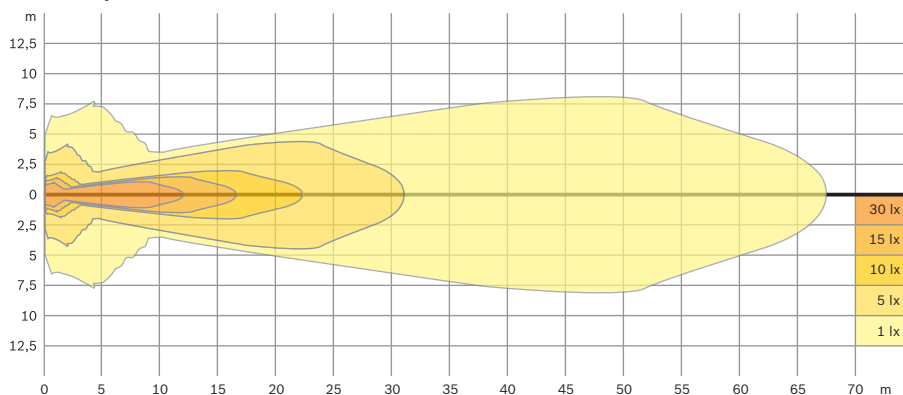
Electrical connection

Blade terminal and grommet.

Scope of delivery

In single pack: 1 lamp with assembly parts.
 Halogen H3 bulb to be ordered separately.

Floodlamp 12 V/55 W



Pilot 150

With forked holder **0 306 484 001**

With fastening bracket **0 306 484 002**

Accessories and spare parts

Headlight unit **1 305 354 911**

Holder for unit **1 301 091 002**

Fastening bracket **1 307 022 236**

Type of bulb

H3 12 V/55 W **1 987 302 031**

H3 24 V/70 W **1 987 302 431**

Profi 210



Extremely robust with impact-resistant plastic guard. Optionally with handle and switch.

Headlamp housing

Steel, black-resicoated, scratch-resistant and non-corroding. Outer rim and guard made of glass-fiber-reinforced polyamide, matt black, impact-resistant and fracture-proof.

Lens

Colorless lens, with waterproof bonding to reflector.

Mounting

Upright and suspended.

Attachment

Pivoting, corrosion-resistant fastening bracket with 4 holes for M 6 bolts

Pivoting range

40° forwards, 75° to rear, 360° lateral.

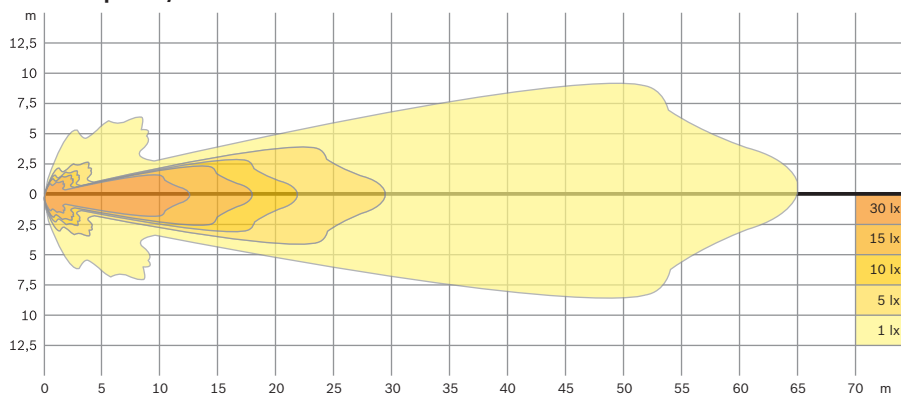
Electrical connection

Single pole (separate ground connection provided), blade-terminal connections, cable entry through rubber grommet.

Scope of delivery

In single pack: 1 lamp with assembly parts. Halogen H3 bulb to be ordered separately. With guard.

Floodlamp 12 V/55 W



Profi 210

With handle and switch	0 306 980 002
Without handle, without switch	0 306 980 003

Accessories and spare parts

Outer rim	1 305 540 932¹⁾
Guard	1 305 540 933
Fastening bracket	1 307 022 236

Type of bulb

H3	12 V/55 W	1 987 302 031
H3	12 V/100 W	1 987 302 036
H3	24 V/70 W	1 987 302 431

¹⁾ Available while stocks last.

Pilot X



The most compact floodlamp of its type. Broad range of applications – from forestry machinery to construction vehicles, and from agricultural vehicles to emergency vehicles. Xenon light similar to daylight provides broad and uniform light distribution. Around 2.5x higher luminous efficiency than halogen bulbs, around 1/3 less energy consumption and longer service life. Integrated control unit with D1 technology. EMC tested.

Headlamp housing

Glass-fiber-reinforced plastic.
Corrosion-resistant.
Dimensions: 130 x 120 x 120 mm.

Mounting

Optionally upright or suspended.

Attachment

Pivoting, corrosion-resistant M10 threaded stud.
Pivoting range 20° forwards, 30° to rear, 360° lateral.
Adjustable by 6 cm in longitudinal axis.

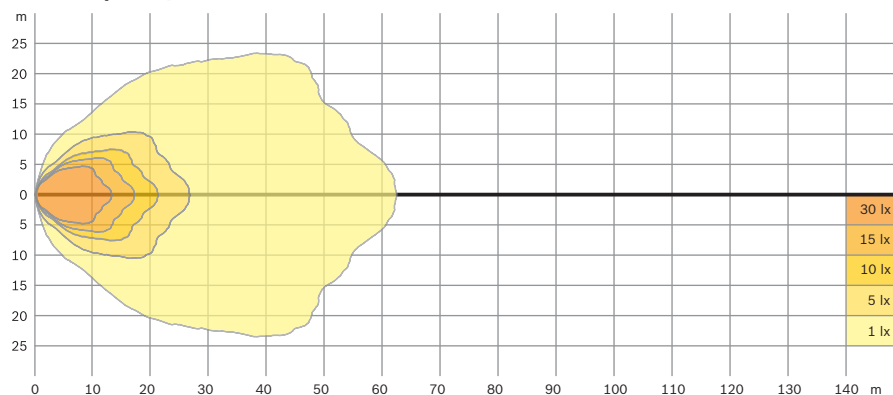
Electrical connection

Connector: 15 cm pigtail.

Scope of delivery

Xenon gaseous-discharge lamp, igniter, Xenon control unit. Completely pre-assembled, ready to connect.

Floodlamp 24 V/35 W



Pilot X		
		0 986 310 675
Accessories and spare parts		
Reflector		1 987 305 079
Lens including O-ring		1 987 305 108
Control unit		0 986 310 209
Type of bulb		
D1S	24 V/35 W	1 987 302 905

Spot lamps

Range overview



A56

Pilot – Spot lamp.
Also available as a floodlamp.



A57/58

Touring – Spot lamp,
with option of handle and switch.
Also available as a floodlamp.

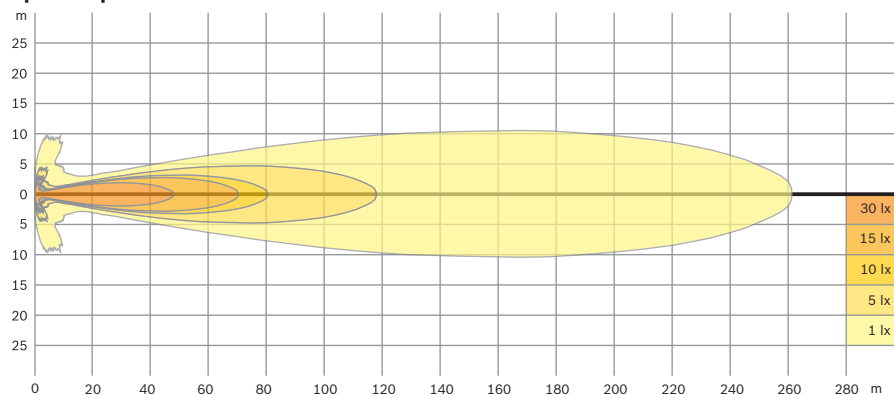


Information

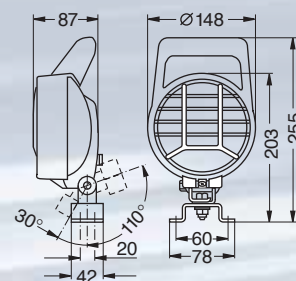
**Spot lamps**

The densely concentrated light from a spot lamp is ideal when there is a need for targeted illumination of an object from a long distance. For example, spot lamps are used by the police, by fire brigades, and for technical assistance and emergency services. However, a spot lamp can also be useful in other specialist areas where there is a need for a strong searchlight, for example inland waterways for illuminating canals, locks or landing stages.

A spot lamp produces a narrow beam of concentrated high-intensity light, effectively illuminating a specific area at long range.

Spot lamps

Pilot 140



Spot-lamp version with handle and guard.
For heavy-duty applications.

Headlamp housing

Glass-fiber-reinforced plastic, matt black surface. Impact-resistant, non-corroding and fracture-proof.

Lens

Colorless lens, with waterproof bonding to reflector.

Mounting

Optionally upright or suspended.

Attachment

Pivoting, corrosion-resistant fastening bracket with 4 holes for M 6 bolts

Pivoting range

30° forwards, 110° to rear, 360° lateral.

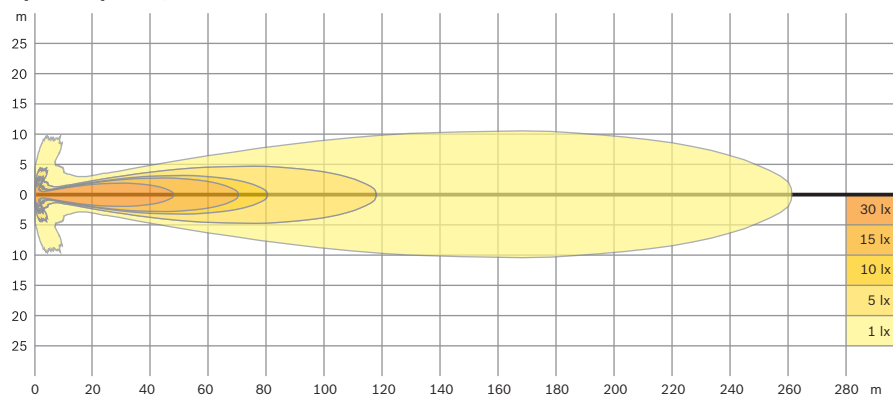
Electrical connection

Two-pole, blade-terminal connections, cable entry through splash-proof rubber grommet.

Scope of delivery

In single pack: 1 lamp with assembly parts.
 Halogen H3 bulb to be ordered separately.

Spot lamp 12 V/55 W

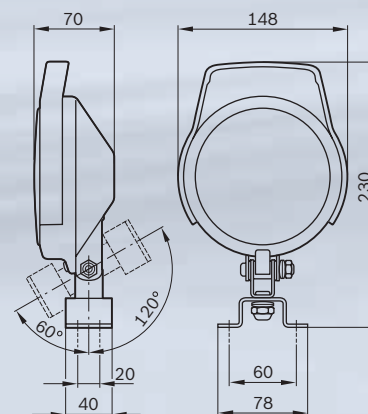


Pilot 140	
With handle and guard	0 306 481 003

Accessories and spare parts	
Headlight unit	1 305 301 917
Hinged grommet	1 300 312 010
Fastening bracket	1 307 022 236

Type of bulb		
H3	12 V/55 W	1 987 302 031
H3	24 V/70 W	1 987 302 431

Touring 140



With switch and handle for convenient regulation of pivoting range.

Headlamp housing

Steel, black-resicoated, scratch-proof and non-corroding.

Lens

Lens with waterproof bonding to reflector.

Mounting

Optionally upright or suspended.

Attachment

Pivoting, corrosion-resistant fastening bracket with 4 holes for M 6 bolts

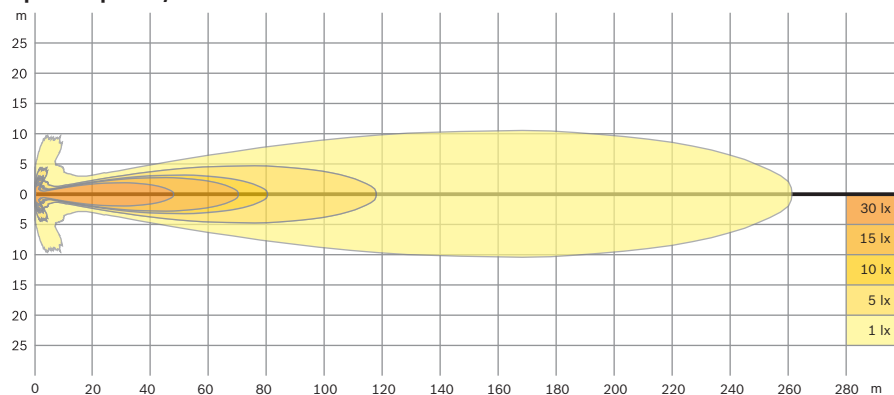
Pivoting range

60° forwards, 120° to rear, 360° lateral.

Electrical connection

Single-pole (separate ground connection provided), blade-terminal connections, cable entry through rubber grommet.

Spot lamp 12 V/55 W



Touring 140

With handle and switch **0 306 480 001**

Accessories and spare parts

Headlight unit **1 305 301 917**

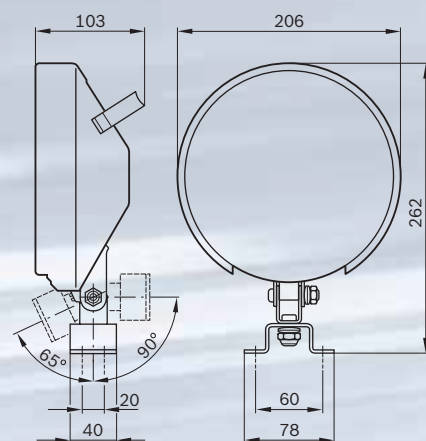
Fastening bracket **1 307 022 236**

Type of bulb

H3 12 V/55 W **1 987 302 031**

H3 24 V/70 W **1 987 302 431**

Touring 190



Spot lamp with localized floodlight effect, handle and switch.

Headlamp housing

Steel, black-resicoated, scratch-proof and non-corroding.

Lens

Colorless lens, with waterproof bonding to reflector.

Mounting

Upright and suspended.

Attachment

Pivoting, corrosion-resistant bracket with 4 holes for M 6 bolts

Pivoting range

65° forwards, 90° to rear, 360° lateral.

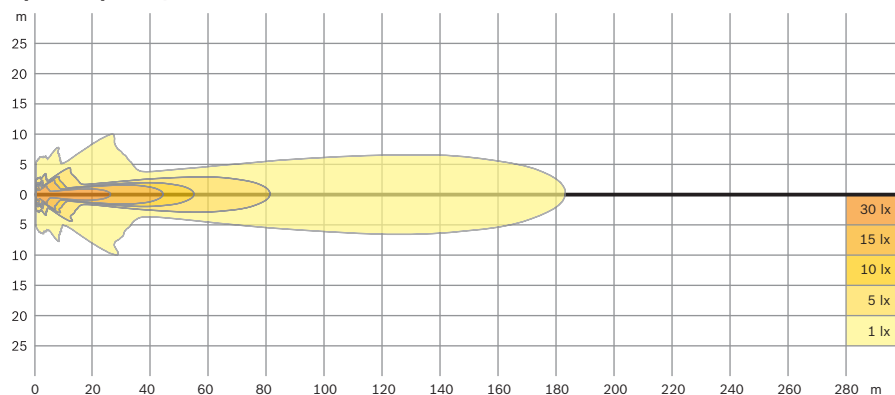
Electrical connection

Single-pole (separate ground connection provided), blade-terminal connections, cable entry through rubber grommet.

Scope of delivery

In single pack: 1 lamp with assembly parts. Halogen H3 bulb to be ordered separately.

Spot lamp 12 V/55 W



Touring 190	
With handle and switch	0 306 980 004

Accessories and spare parts	
Headlight unit	1 305 313 937
Fastening bracket	1 307 022 236

Type of bulb		
H3	12 V/55 W	1 987 302 031
H3	12 V/100 W	1 987 302 036
H3	24 V/70 W	1 987 302 431

Beacons

Information



Bosch produces a comprehensive range of high-performance beacons for installation in a wide variety of vehicles. Optimized custom solutions further increase the range of applications. In many situations, reliable and effective warning signals are critical to ensure safety for traffic or for working.

The professional range

Top quality for customer groups with exacting demands in terms of warning action and conspicuousness, ease of use and installation, easy single-handed bulb replacement and interference suppression for radio, two-way radio and telephone reception, e.g. fire brigades, haulage companies, road construction departments, rescue services, breakdown and recovery services, mobile cranes and emergency relief services

The standard range

Sturdy warning lamps offering attractive value for money for customer groups in haulage, construction and related trades, agriculture and forestry. Benefits include ease of operation and installation, easy one-handed bulb replacement and radio-interference suppression.



	RKLE 200	RE-60	RSWA/F
Construction			
A	•	•	–
FLX	–	•	–
B1	•	•	•
D	•	•	–
Cover color			
Blue	•	–	–
Yellow	•	•	–
Red	•	–	–
Green	○	–	–
Clear	○	–	•
Voltage			
12 V	•	•	•
24 V	•	•	•
12/24 V	–	–	–
110 V	–	–	–
230 V	–	–	–
Approval			
Complies with German StVZO	•	•	–
Quality features			
Drive system	Hybrid	Worm gear	–
Frequency	–	2.66 Hz	–
Rotational speed	160 rpm	–	–
Noise level	Very low	Medium	–
Interference suppression as per VDE 0879			
LW	Interference level 5	Interference level 3	–
MW	Interference level 5	Interference level 3	–
SW	Interference level 5	Interference level 3	–
UHF	Interference level 5	Interference level 3	–
Degree of protection as per DIN 40 050	IP 54	IP 54	IP 55
Warning effect	Maximum	Satisfactory	–

• = Standard

○ = Possible

RKLE 200 Rotating beacons

**The right range**

For mobile or fixed mounting, for vehicles that are only fitted with beacons when specifically required, or for vehicles that are in constant use: Version A in line with DIN 14620/ISO 4148 for mounting on spigot tube, version B1 and B2 in line with DIN 14620/ISO 4148 for fixed installation. All yellow and blue lights are type-tested to ECE R65 and approved for use on public highways, while the A, B1 and B2 versions in line with DIN 14620 meet the strict German \sim K approval requirements.

The Bosch OPS reflector¹⁾ ensures optimum utilization and direction of the light beam and provides 40% more light for the same bulb power. This guarantees maximum visibility at close and long range and in hilly terrain, as the light is precisely directed by the OPS reflector and not diffused by the cover. This eliminates scattering losses, which would be worsened by dirt. The long-range visibility and high light intensity enables the RKLE 200 to achieve an unrivalled warning effect even in bright sunlight or from a great distance, comparable even with a high-quality flashing beacon such as the BKL 1212.

The Bosch RKLE 200 – quiet, maintenance-free and long service life.

The RKLE uses a hybrid drive specially developed for continuous use. It combines the quiet and smooth running of a belt drive with the durability and power transmission of a worm drive. Its advantages include maximum convenience, sturdiness and reliability at almost any temperature, when radios or telephones are being used and in dusty or dirty conditions. Since no wearing parts such as V-belts or collector rings are used, no maintenance is required. The self-lubricating bronze sintered bearings of the deliberately oversized motor ensures that the excellent performance and function are retained for many years.

Quick and easy installation thanks to mounting aids and hollow rubber profiles

The rubber seal between the B1/B2 version rotating beacon and the vehicle simultaneously provides a drilling template for the hole diameter in line with DIN 14620 and ISO 4148. The mounting aids accessible from outside provide quick and unobstructed access to the fixing components. After installation, the mounting aids are sealed with the caps supplied to protect against dirt. This eliminates wind noise and corrosion.

Sophisticated ventilation

The patented new ventilation system with labyrinth seal prevents condensation from forming and misting the cover of the light.

No radio interference

Perfect for vehicles with telephone or 2-way radio. The practically noise-free drive is interference-suppressed in excess of the requirements of VDE 0879 interference level 5.

Bulb replacement made easy

The cover can be removed and the defective bulb exchanged with one hand and without the need for tools.

Securing the cover

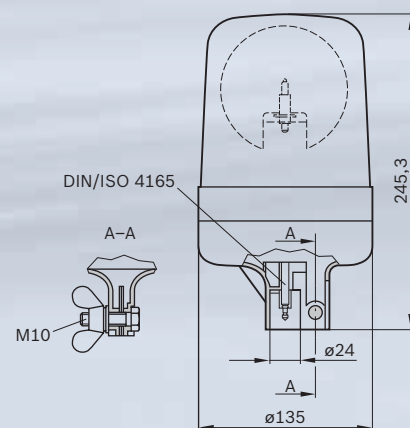
Fit the cover and turn as far as possible in either direction (bayonet lock). It can be opened with or without a tool.

Perfect look – base in vehicle color

You can, of course, paint the glass-fiber-reinforced base in orange or any other color of your choice.

¹⁾ OPS, Optimized plane-parabolic segments = "Flat" segments arranged on a parabola.

RKLE 200 Form A Rotating beacon

**Scope of delivery**

Lamp including H1 bulb,
installation instructions.

Form A version in line with ISO 4148

RKLE 200 A, 12 V, yellow	7 782 332 011
RKLE 200 A, 24 V, yellow	7 782 334 009
RKLE 200 A, 12 V, blue	7 782 332 209
RKLE 200 A, 24 V, blue	7 782 334 207
RKLE 200 A, 12 V, red	7 782 332 404
RKLE 200 A, 24 V, red	7 782 334 404

Technical data**Type test**

Yellow A1 E13 00 0001	~ K110
Blue B1 E13 00 0001	~ K109

Weight

kg	0.82
----	------

Resistance to

Vibration	better than DIN 14620
-----------	--------------------------

Temperature	better than DIN 14620
-------------	--------------------------

Damp alternating atmosphere	better than DIN 14620
-----------------------------	--------------------------

Corrosion	better than DIN 14620
-----------	--------------------------

Degree of protection

IP	54, 54K, 59K
----	--------------

Interference suppression

Better than VDE 0879 interference level 5
© 10R-023011

Operating position

Upright

Technical data**Temperature range**

°C	-40...+60
----	-----------

Speed

rpm	160
-----	-----

Attachment

On spigot tube with wing nut (no tools)

Spare parts**H1 bulb**

12 V/55 W	1 987 302 011
24 V/70 W	1 987 302 411

Cover

Yellow	8 785 510 063
Yellow, fracture-proof	8 785 510 098
Blue	8 785 510 166
Red	8 785 510 065
Green	8 785 510 066
Clear	8 785 510 067

Reflector

8 785 300 117

Motor with pinion and cable

12 V	8 787 220 632
24 V	8 787 220 634

Parts set comprising base plate and gear wheel (assembled) and bulb holder

8 787 001 514

Motor-housing parts set

8 785 110 129

Rubber buffer (3 required)

1 unit	8 780 212 001
--------	----------------------

Accessories**Spigot tube for welding**

8 787 022 001

Connected via 2 blade terminals 6.3 mm

8 787 022 019

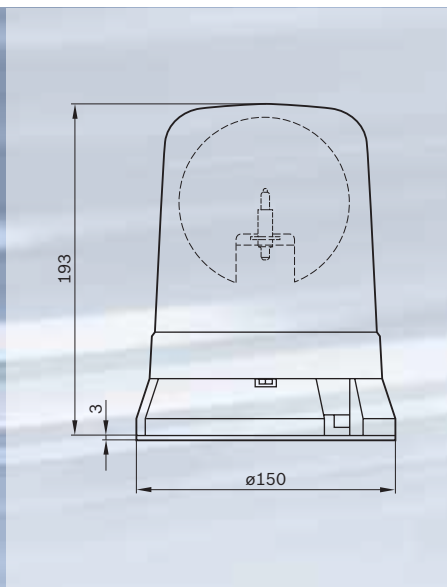
Spigot tube for screw attachment

8 787 022 013

Spigot tube with welded bracket

8 787 022 016

RKLE 200 Form B1 Rotating beacon



Scope of delivery

Lamp including H1 bulb, rubber seal, fastening parts, installation instructions.

Form B1 version in line with DIN 14620/ISO 4148

RKLE 200 B1, 12 V, yellow	7 782 332 011
RKLE 200 B1, 24 V, yellow	7 782 334 011
RKLE 200 B1, 12 V, blue	7 782 332 207
RKLE 200 B1, 24 V, blue	7 782 324 207
RKLE 200 B1, 12 V, red	7 782 322 405
RKLE 200 B1, 24 V, red	7 782 324 404

Technical data

Type test

Yellow A1 E13 00 0001		K110
Blue B1 E13 00 0001		K109

Weight

kg	0.76
----	------

Resistance to

Vibration	better than DIN 14620
Temperature	better than DIN 14620
Damp alternating atmosphere	better than DIN 14620
Corrosion	better than DIN 14620

Degree of protection

IP	54, 54K, 59K
----	--------------

Interference suppression

Better than VDE 0879 interference level 5
 © 10R-023011

Operating position

Upright

Technical data

Temperature range

°C	-40...+60
----	-----------

Speed

rpm	160
-----	-----

Attachment

With 3 bolts, hole circle Ø 130 mm.

Spare parts

H1 bulb

12 V/55 W	1 987 302 011
24 V/70 W	1 987 302 411

Cover

Yellow	8 785 510 063
Yellow, fracture-proof	8 785 510 098
Blue	8 785 510 166
Red	8 785 510 065
Green	8 785 510 066
Clear	8 785 510 067

Reflector

	8 785 300 117
--	----------------------

Motor with pinion and cables

12 V	8 787 220 632
24 V	8 787 220 634

Parts set comprising base plate and gear wheel (assembled) and bulb holder

	8 787 001 514
--	----------------------

Caps for mounting aids

3 units	8 785 411 296
---------	----------------------

Rubber seal

2 mm	8 780 233 011
------	----------------------

Rubber buffer (3 required)

1 unit	8 780 212 001
--------	----------------------

Accessories

Hollow rubber profile to compensate for roof slopes and beads

	8 780 206 047
--	----------------------

Intermediate flange

	8 785 110 127
--	----------------------

Mounting flange

Straight for stand	8 785 110 068
Angled	8 785 110 099
For conversion to version C	8 785 110 132

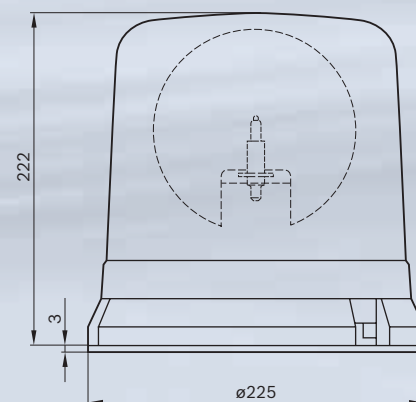
Vehicle stand

LZU 14/5	7 781 999 001
LZU 15/5M	7 781 999 015

Plug-in base

For conversion to version A	8 785 110 109
-----------------------------	----------------------

RKLE 200 Form B2 Rotating beacon

**Scope of delivery**

Lamp including H1 bulb, rubber seal, fastening parts, installation instructions.

Form B2 version in line with DIN 14620 / ISO 4148

RKLE 200 B2, 12 V, yellow	7 782 362 008
RKLE 200 B2, 24 V, yellow	7 782 364 007
RKLE 200 B2, 12 V, blue	7 782 362 207
RKLE 200 B2, 24 V, blue	7 782 364 207
RKLE 200 B2, 12 V, red	7 782 362 404
RKLE 200 B2, 24 V, red	7 782 364 404

Technical data**Type test**

Yellow A1 E1 00 1312	K254
Blue B1 E1 00 1312	K255

Weight

kg	1.25
----	------

Resistance to

Vibration	better than DIN 14620
-----------	--------------------------

Temperature	better than DIN 14620
-------------	--------------------------

Damp alternating atmosphere	better than DIN 14620
-----------------------------	--------------------------

Corrosion	better than DIN 14620
-----------	--------------------------

Degree of protection

IP	54, 54K, 59K
----	--------------

Interference suppression

Better than VDE 0879 interference level 5

© 10R-023011

Operating position

Upright

Technical data**Temperature range**

°C	-40...+60
----	-----------

Speed

rpm	160
-----	-----

Attachment

With 3 bolts, hole circle \varnothing 200 mm.

Spare parts**H1 bulb**

12 V/55 W	1 987 302 011
24 V/70 W	1 987 302 411

Cover

Yellow	8 785 510 073
Blue	8 785 510 167
Red	8 785 510 072

Reflector

8 785 300 120

Motor with pinion and cables

12 V	8 787 220 632
24 V	8 787 220 634

Parts set comprising base plate and gear wheel (assembled) and bulb holder

8 787 001 514

Caps for mounting aids

3 units	8 785 411 297
---------	----------------------

Rubber seal

2 mm	8 780 233 012
------	----------------------

Rubber buffer (3 required)

1 units	8 780 212 001
---------	----------------------

Accessories**Hollow rubber profile to compensate for roof slopes and beads**

8 780 206 048

Intermediate flange

8 785 110 128

Mounting flange

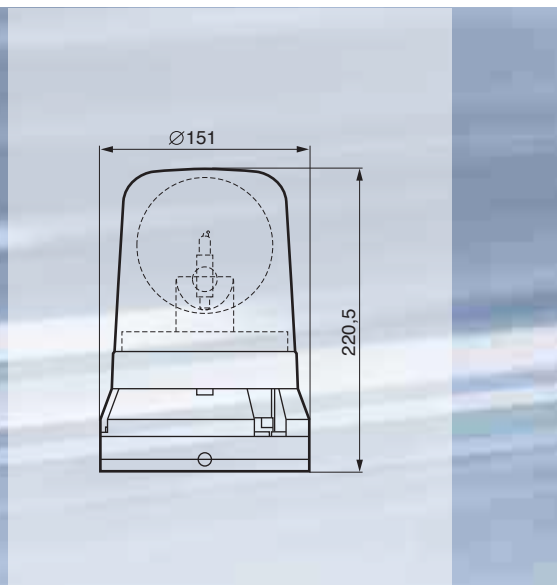
Straight for stand **8 785 110 077**

Vehicle stand

LZU 14/5 **7 781 999 001**

LZU 15/5M **7 781 999 015**

RKLE 200 Form D Rotating beacon



Scope of delivery

Lamp including H1 bulb, magnet, cable and connector, installation instructions.

Form D version in line with ISO 4148

RKLE 200 D, 12 V, yellow	7 782 372 004
RKLE 200 D, 12 V, blue	7 782 372 204
RKLE 200 D, 24 V, blue	7 782 372 203
RKLE 200 D, 12 V, red	7 782 372 403
RKLE 200 D, 24 V, red	7 782 374 405

Technical data

Type test

Yellow A1 E13 00 0001	~ K110
Blue B1 E13 00 0000	~ K109

Weight

kg	1.49
----	------

Resistance to

Vibration	better than DIN 14620
-----------	--------------------------

Temperature	better than DIN 14620
-------------	--------------------------

Damp alternating atmosphere	better than DIN 14620
-----------------------------	--------------------------

Corrosion	better than DIN 14620
-----------	--------------------------

Degree of protection

IP	54, 54K, 59K
----	--------------

Interference suppression

Better than VDE 0879 interference level 5
© 10R-023011

Operating position

Upright

Technical data

Temperature range

°C	-40...+60
----	-----------

Speed

rpm	160
-----	-----

Attachment

Magnetic attachment with cable (length 0.5 m, extends to 3 m) and combination connector, TÜV tested to 250 km/h

Spare parts

H1 bulb

12 V/55 W	1 987 302 011
-----------	----------------------

24 V/70 W	1 987 302 411
-----------	----------------------

Cover

Yellow	8 785 510 063
--------	----------------------

Yellow, fracture-proof	8 785 510 098
------------------------	----------------------

Blue	8 785 510 166
------	----------------------

Red	8 785 510 065
-----	----------------------

Green	8 785 510 066
-------	----------------------

Clear	8 785 510 067
-------	----------------------

Reflector

	8 785 300 117
--	----------------------

Motor with pinion and cable

12 V	8 787 220 632
------	----------------------

24 V	8 787 220 634
------	----------------------

Parts set comprising base plate and gear wheel (assembled) and bulb holder

	8 787 001 514
--	----------------------

Caps for mounting aids

3 units	8 785 411 296
---------	----------------------

Rubber buffer (3 required)

1 unit	8 780 212 001
--------	----------------------

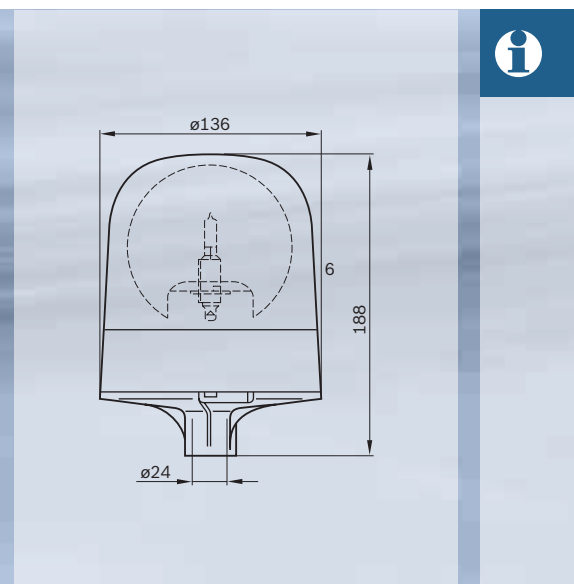
Magnetic stand

	8 787 010 015
--	----------------------

Spiral cable with connector

0.5 m – extends to 3 m	8 784 460 102
------------------------	----------------------

RE-60 Form A Rotating beacon

**Applications**

For special vehicles that are only used sporadically on main roads or in city traffic. Sturdy warning lamp offering attractive value for money for customer groups in haulage, construction and related trades, agriculture and forestry. Benefits include ease of operation and installation, easy one-handed bulb replacement and radio-interference suppression.

Drive system

Robust worm drive ensuring reliable starting under extreme operating conditions

Attachment

For attachment to spigot tube with bolt.

Scope of delivery

Lamp including H1 bulb, installation instructions.

Technical data**Cover**

Polycarbonate or plexiglass. ECE R65 approval for Germany and Europe. Observe national regulations (e.g. StVZO).

Weight

kg 0.43

Flash frequency

Hz 2.66 A1 [Ⓔ] 006515

Degree of protection

IP 54, 54K, 59K

Warning effect

ECE R65

Radio interference suppression level

3 in line with VDE 0879 Allows radio reception with no interference.
P3 [Ⓔ] 10R-023010

Form A version in line with ISO 4148**RE-60 Form A**

12 V Yellow **7 782 332 008**
24 V Yellow **7 782 334 007**

Spare parts**Plexiglass cover**

Yellow **8 785 510 156**

H1 halogen bulb

12 V/55 W **1 987 302 011**

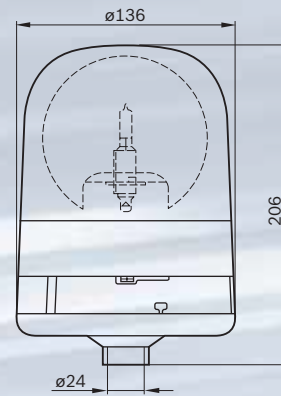
24 V/70 W **1 987 302 411**

Motor with worm drive and cables

12 V **8 787 220 627**

24 V **8 787 220 628**

RE-60 Form FLX Rotating beacon



Attachment

With flexible holder for attachment to spigot tube.

Scope of delivery

Light including H1 bulb, installation instructions.

Technical data

Cover	
Made of fracture-proof polycarbonate	
Weight	
kg	0.68
Max. inclination in case of obstacle contact	
°	90

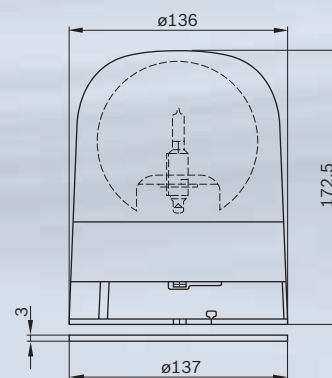
Form FLX version in line with ISO 4148

RE-60 Form FLX		
12 V	Yellow	7 782 332 009
24 V	Yellow	7 782 334 008

Spare parts

Polycarbonate cover	
Yellow	8 785 510 157
Flexible holder with cables	
Connector, clamping fixture	8 785 110 121

RE-60 Form B Rotating beacon

**Attachment**

Attached with 3 self-tapping screws 4.2 mm (hole circle \varnothing 130 mm) or with 3 M6 screws (hole circle \varnothing 115 mm).

Scope of delivery

Lamp including H1 bulb, rubber seal, installation instructions.

Technical data**Cover**

Fracture-proof polycarbonate.
For permanent installation.

Weight

kg 0.42

Form B version in line with ISO 4148**RE-60 Form B**

12 V	Yellow	7 782 332 012
24 V	Yellow	7 782 324 012

Spare parts**Plexiglass cover**

Yellow **8 785 510 156**

Flexible holder with cables

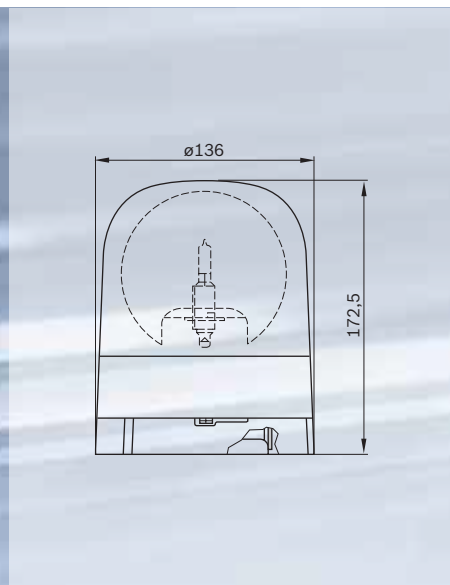
Rubber seal **8 780 135 008**

Caps for mounting aids **8 787 001 322**
(x3)

Accessories

Rubber profile to compensate for roof slopes **8 780 206 049**

RE-60 Form D Rotating beacon



Connection

With 3.5 m spiral cable and multi-purpose automotive connector.

Attachment

Attached with strong magnet (approx. 30 kg adhesive force in line with DIN). For vehicle speeds of up to max. 100 km/h.

Scope of delivery

Lamp including H1 bulb, spiral cable with connector, installation instructions.

Technical data

Cover

Fracture-proof polycarbonate.
For permanent installation.

Weight

kg approx. 1

Form D version in line with ISO 4148

RE-60 Form D

12 V	Yellow	7 782 372 003
24 V	Yellow	7 782 374 005

Spare parts

Plexiglass cover

Yellow **8 785 510 156**

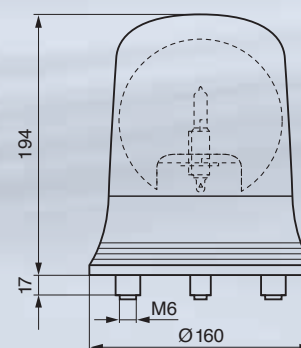
Flexible holder with cables

Spiral cable with multi-purpose automotive connector **8 784 460 130**

Accessories

Paint-protection foil for magnet, self-adhesive **8 780 113 024**

RSWA 100/RSWF 100 Floodlight

**Applications**

Floodlamp (RSWA) or spot lamp (RSWF) with radio remote control for police, emergency services, breakdown and recovery services, agricultural vehicles and off-road applications.

Design

Glass-fiber-reinforced plastic, matt-black surface. Impact-resistant, non-corroding, and fracture-proof.

Headlight unit

The radio remote control allows targeted direction of the floodlight beam. Simultaneous horizontal and vertical movement allows the operator to quickly adjust the lighting as required, even from a distance (range with unimpaired view approx. 100 m). Coding allows one floodlight to be operated from up to four remote control units. In the same way, one remote control unit can operate different floodlights.

Light distribution

RSWA – large-area, uniform illumination at close range (floodlamp)

RSWF – narrow, high-intensity light beam (spot lamp)

Attachment

Attached with 3 bolts, hole circle \varnothing 130 mm.

Scope of delivery

Lamp including H1 bulb, remote control, 9 Volt battery 6LR61, installation/operating instructions.

Lamp technical data:

Cover	
Polycarbonate	
Weight	
kg	1.13
Current input	
12 V/4.6 A 24 V/2.9 A	
Temperature range	
°C	-20...+50
Horizontal rotation	
°	360
	in 12 seconds
Vertical rotation	
°	260
	in 24 seconds
Dust / water protection	
IP	55

Remote-control technical data:

Frequency	
Hz	433.92
Range	
m	100 with unimpaired view
Weight	
kg	Approx. 0.15
Approval	
CE tested	
EN	60-950, 300-220
Ets	300-000

Design

RSWA 100, 12 V	7 782 319 052
RSWA 100, 24 V	7 782 319 054
RSWF 100, 12 V	7 782 319 062
RSWF 100, 24 V	7 782 319 064

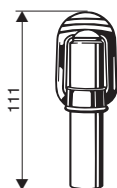
Spare parts

Cover	
Clear	8 785 510 170
Transmitter and holder	
12 V	8 785 520 002
24 V	8 785 520 004
H1 bulb	
12 V/55 W	1 987 302 011
24 V/70 W	1 987 302 411

Accessories

Mounting flange	
Straight	8 785 110 068
Angled	8 785 110 099

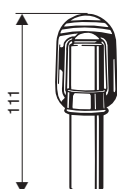
Accessories and spare parts



Spigot tube

For welding, for Form A rotating beacons in line with DIN 14 620 and ISO 4148. With socket and rain cover. Grounded through housing.

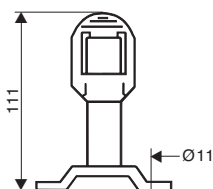
Part number:
8 787 022 001



Spigot tube

As -001, but connected via 2 blade terminals 6.3 mm. With insulating sleeve (Qty. 1).

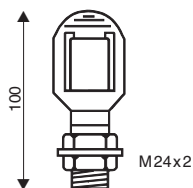
Part number:
8 787 022 019



Spigot tube

With welded bracket for Form A rotating beacons in line with DIN 14 620 and ISO 4148. For screwing onto the vehicle with 2 screws. With socket and rain cover.

Part number:
8 787 022 016



Spigot tube

For screw fastening, for Form A rotating beacons in line with DIN 14 620 and ISO 4148. With socket and rain cover.

Part number:
8 787 022 013

Rain cover

To fit the spigot tubes.

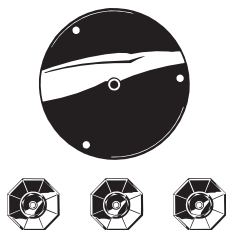
Part number:
8 780 560 000



Magnetic stand

For RKLE 200 Form D rotating beacons for speeds of up to 250 km/h. The use of rotating beacons with additional magnetic base mounting is not approved in Germany (StVZO). Exceptions can be approved by the relevant authorities. The operator must apply individually.

Part number:
8 787 010 015



3-point magnetic attachment

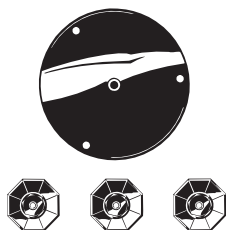
For RKLE Form B1 rotating beacons. For mobile or temporary use.

The magnetic feet are flexibly mounted and thus adapt to the shape of the vehicle body. Supplied with protective foil to prevent damage to the body.

For vehicle speeds of up to max. 80 km/h.

Part number:

8 787 010 011

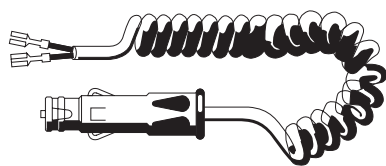


3-point magnetic attachment

As ...011 but with spiral cable (max. length 3 m) and universal connector for vehicle socket or cigarette lighter. For vehicle speeds of up to max. 80 km/h.

Part number:

8 787 010 010

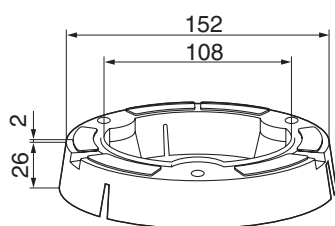


Spiral cable

Complete with universal connector for vehicle socket or cigarette lighter, and connectors. Length 0.5 m, extends to 3 m.

Part number:

8 784 460 102

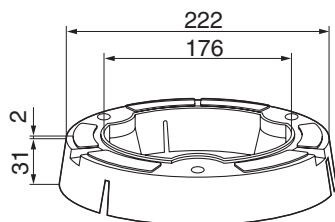


Rubber wedge

For RKLE Form B1 rotating beacons. To compensate for roof slopes.

Part number:

8 780 206 047

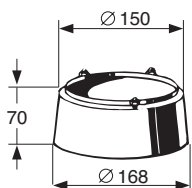


Rubber wedge

For RKLE Form B2 rotating beacons. To compensate for roof slopes.

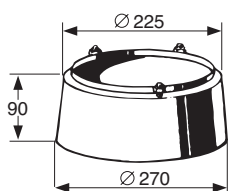
Part number:

8 780 206 048



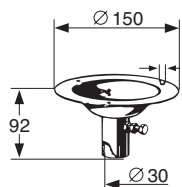
Intermediate flange

For RKLE Form B1 rotating beacons. Steel plate.
Compensates for extremely steep mounting surfaces (adjust flange and weld).
Part number:
8 785 110 127



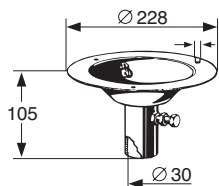
Intermediate flange

For RKLE Form B2 rotating beacons. Steel plate.
Compensates for extremely steep mounting surfaces (adjust flange and weld).
Part number:
8 785 110 128



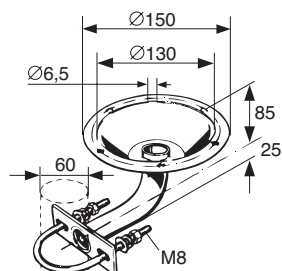
Mounting flange, straight

For RKLE Form B1 rotating beacons. For fitting on vehicle stand LZU 14/5.
Part number:
8 785 110 068



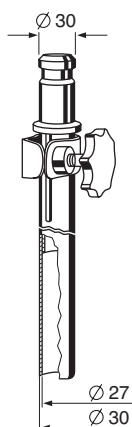
Mounting flange, straight

For RKLE Form B2 rotating beacons. For fitting on vehicle stand LZU 14/5.
Part number:
8 785 110 077



Mounting flange, angled

For RKLE Form B1 rotating beacons. For attachment to vertical surface or mast, Ø 60 mm.
Part number:
8 785 110 099



Vehicle stand LZU 14/5

For attaching headlamps and rotating beacons.

Design: Mounting stud Ø 30 mm in line with DIN 14 640.

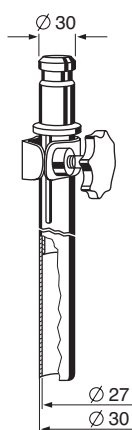
Can be used with: Mounting flange 8-785 110 068/077 for rotating beacons.

Extends from 1260 mm to 2160 mm. Lockable with star handle.

Dimensions (W x H): 140 x 1260 mm, weight: 2.8 kg

Part number:

7 781 999 001



Vehicle stand LZU 14/5 M

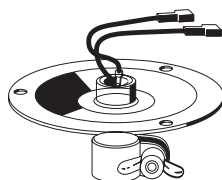
Similar to 7 781 999 001. Extends from 1060 to 1890 mm.

Cable entry through mounting stud, allowing visually appealing installation.

Dimensions (W x H): 140 x 1,060 mm

Part number:

7 781 999 015



Mounting flange for bolting to RKLE BKL Form B1

With plug-in base and cable. Allows mounting on spigot tube for Form A.

Part number:

8 785 110 109