



7 Landing gear Modul

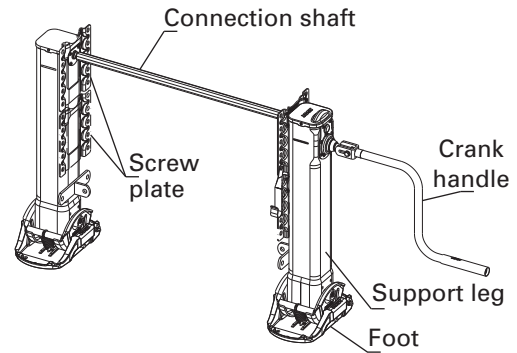
The Modul series of telescopic landing gear is extremely versatile. Thanks to its modular construction with variable mounting and operating heights, various crank handles and connection shaft lengths, plus five different foot types, all client requirements can be catered for.

The Modul C range consists of various landing gear which are designed for special applications.

Both ranges offer practical product advantages: the integrated gearbox has optimum protection, and requires minimum force to be applied on the crank handle in both directions. At the same time, Modul offers a huge increase in lift of up to 120 mm combined with smaller dimensions for fitting. It goes without saying that the telescopic landing gear is extremely sturdy and complies with the strict AAR standard.

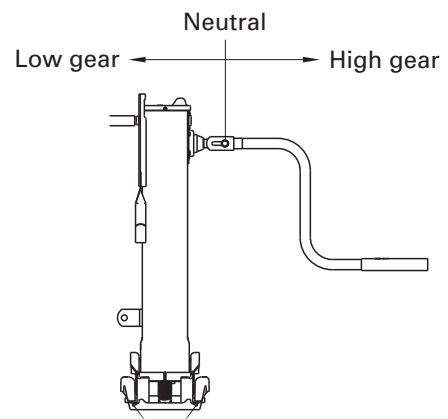
The support is not a standalone, functional device. It is designed to be mounted on a trailer. The vehicle may not be operated until it has been ensured that the towed vehicle with the support complies with the applicable national road traffic regulations. In Germany, the relevant "TÜV" Safety Regulations and "StVZO" Motor Vehicle Safety Standards are to be observed. The telescopic landing gear is always to be used in conjunction with the instructions for use issued by the manufacturer of the relevant draw-bar trailer.

Design/features



The coupling of two sets of landing gear using a connection shaft ensures the even raising and lowering of the semi-trailer.

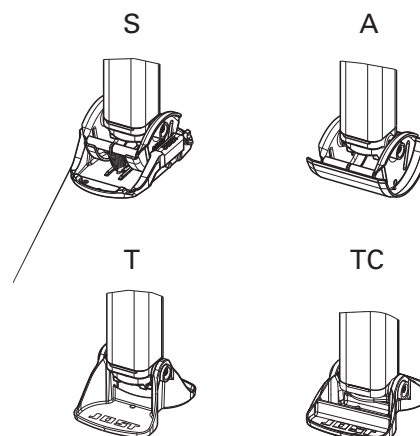
Drive settings



High gear allows the support tube to be moved in and out quickly without a load.

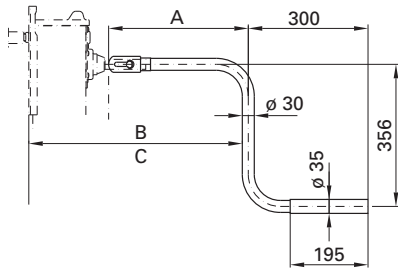
Support feet

The Modul series of telescopic landing gear are available with a range of different feet: S, A, T and TC foot.



Crank handles

Various crank handle lengths for individual adjustment to the vehicle width.



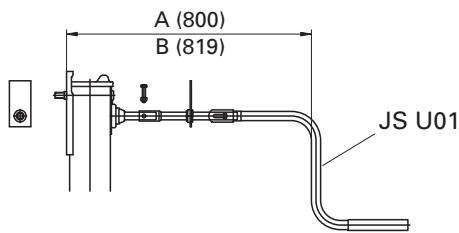
Order No.	A	B (Low gear)	C (High gear)
JS U01	350	534	553
JS U02	415	599	618
JS U03	450	634	653
JS U04	480	664	683
JS U05	520	704	723
JS U07	570	754	773
JS U08	620	804	823

Connection shaft

Order No.	E (Length of connection shaft)
JS L01	1340
JS L02	1450
JS L03	1470
JS L04	1500
JS L05	1505
JS L06	1575
JS L07	1605
JS L08	1635
JS L09	1700
JS L10	1790

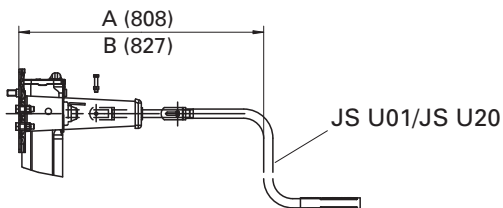
Crank extension

JS E030.001: The crank extension support is welded to the semi-trailer chassis.



JS E030.004: The exterior chassis control is bolted to the landing gear.

Assembly only possible with back plate above (01) or double back plate (03).



Order No.	A (Low gear)	B (High gear)	Operation
JS E030.001	800	819	one-sided
JS E030.004	808	827	one-sided
JS E030.006	808	827	two-sided

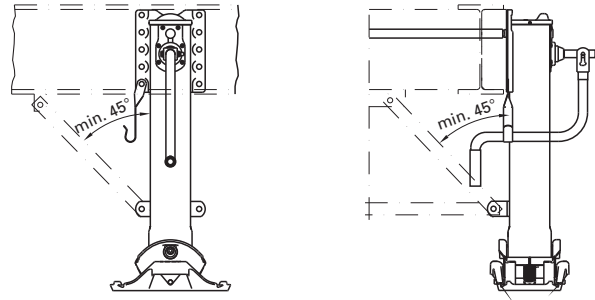
Mounting kits for bracing

The shear and transverse forces that occur mean that bracing is required for the landing gear.

Mounting kit (without bracing):

Order No.	Description
JS E020.001	Mounting kit (standard)
JS E020.002	Mounting kit (double plate)
JS E020.003	Mounting plate for tandem trailer

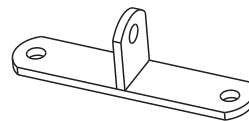
The following illustration shows an example of bracing:



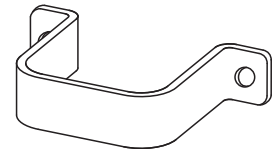
Accessories

Bolt-on brackets for individual adjustment.

Order No.	Description
JS E010.001	Bolt-on bracket, loose
JS E010.002	Clamp for bolt-on bracket
JS E020.004	Nut and bolt for clamp



JS E010.001



JS E010.002

General technical data for landing gear

	Lift by one turn of the crank (mm)
Low gear	0,9
High gear	15,0

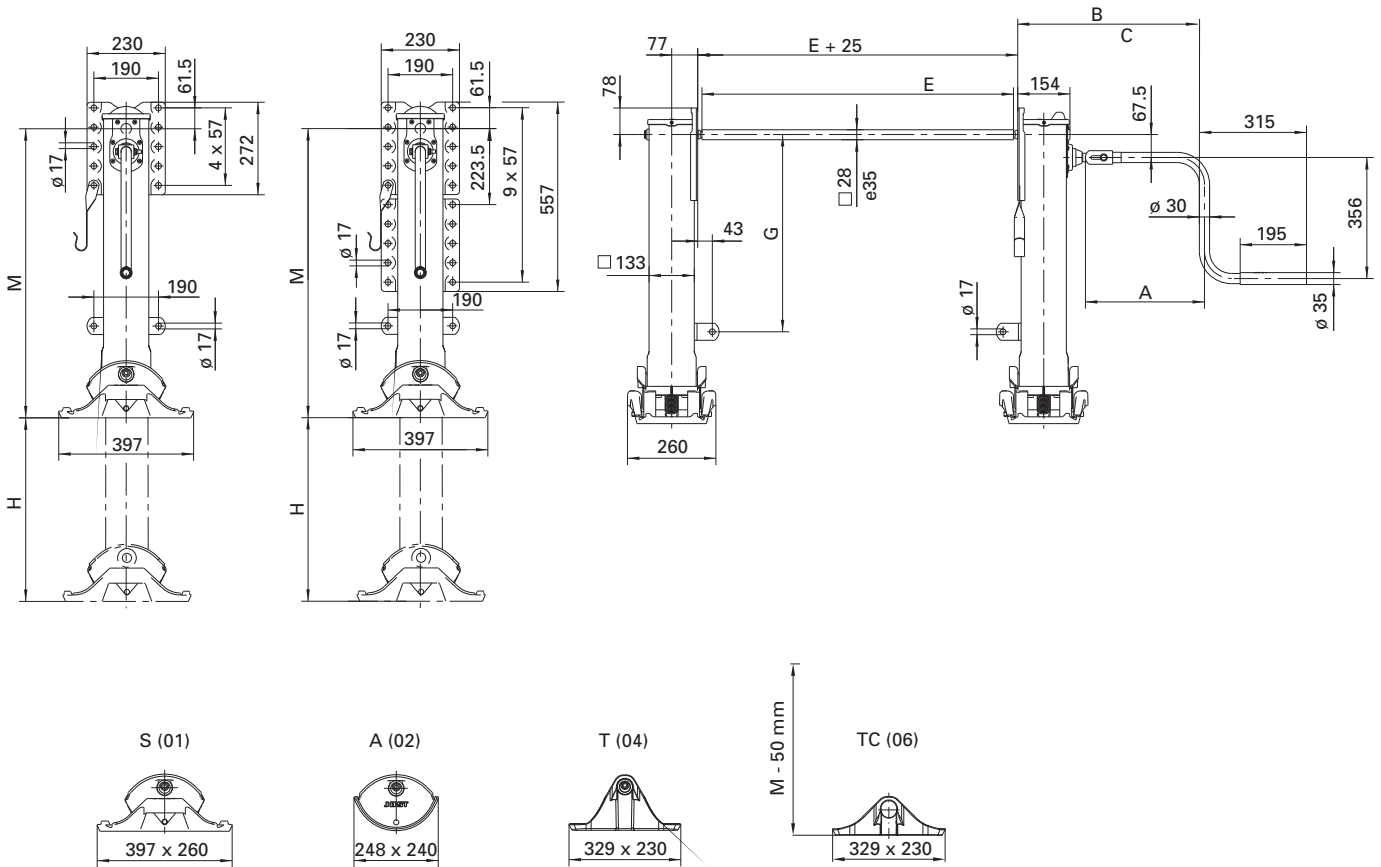
	Landing gear (per kit) (t)
Lifting capacity	24
Static load	50

Crank force in low gear:

Load (t)	Crank force
16	210N

Landing gear Modul B

Technical Specification



The drift for the S and A feet is ± 140 mm.

Components and order numbers

Please order separately!

M			O	D	U	L
Mounting height			Back plate	Type of feet	Crank w. crank parking hook	Connection shaft
M	H	G			A	E
01 = 900	560	630	01 = Position top	00 = without foot	00 = without crank	00 = without
02 = 850	520	580	02 = Position bottom*	mounted	01 = 350	01 = 1340
03 = 800	470	530	03 = Double plate*	01 = S foot	02 = 415	02 = 1450
04 = 750	430*	480		02 = A foot	03 = 450	03 = 1470
05 = 700	400*	430		04 = T foot	04 = 480	04 = 1500
06 = 650	350*	380		06 = TC foot**	05 = 520	05 = 1505
reinforced				not mounted	07 = 750	06 = 1575
21 = 900	470	630		91 = S foot	08 = 620	07 = 1605
22 = 850	430	580		92 = A foot		08 = 1635
23 = 800	400	530		94 = T foot		09 = 1700
24 = 750	350*	480		96 = TC foot**		10 = 1790

* no brace lugs are supplied for the combination of mounting heights 04, 05, 06, 24 with back plate 02, 03. See accessories for loose brace lugs.

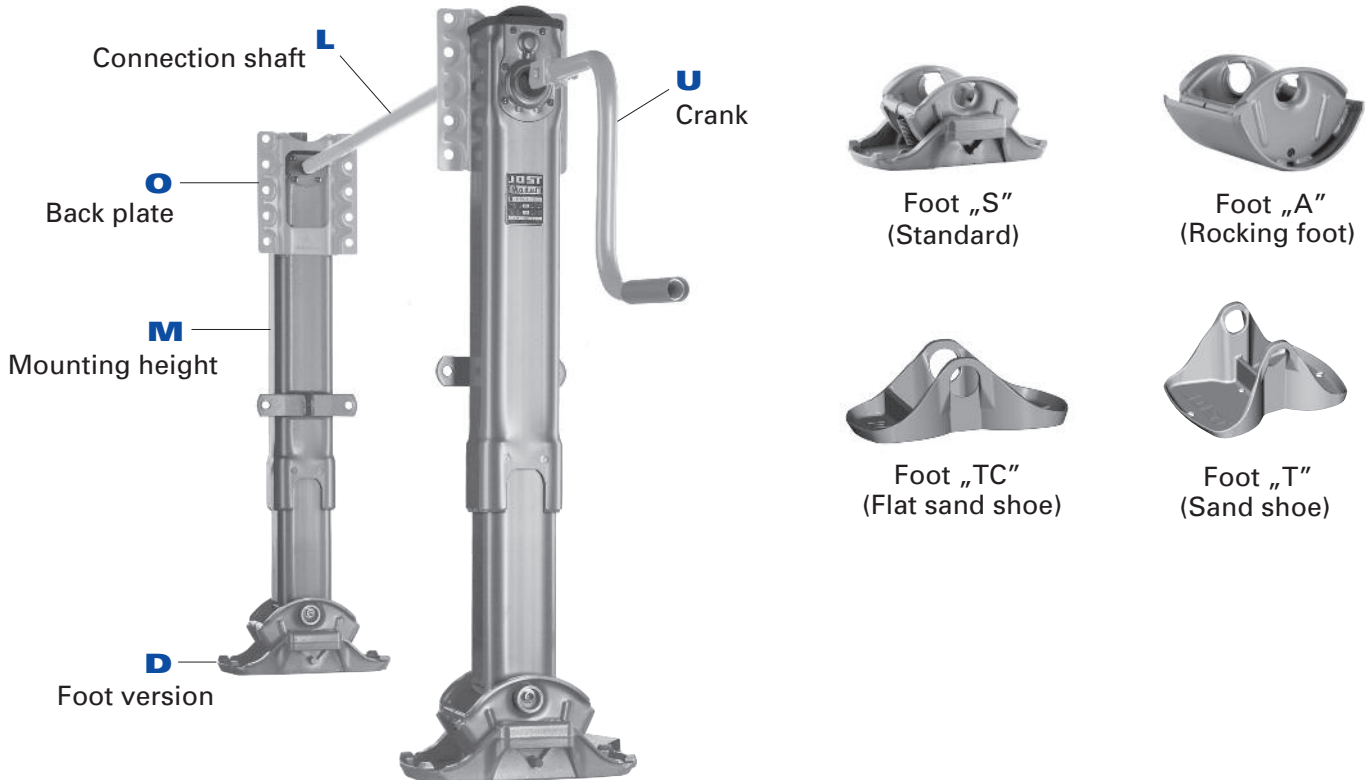
** can be used without restriction on Modul legs produced after week 22/02. On Modul legs produced before that the angle of movement is reduced by $\pm 10^\circ$.

Landing gear with foot "R" (Wheels) please refer to MODUL CW (see page 147)

Individual components

The module components **U** (crank with crank parking hook) and **L** (connection shaft) must be ordered separately and are available individually. The type of feet **D** are likewise available separately; see page 117.

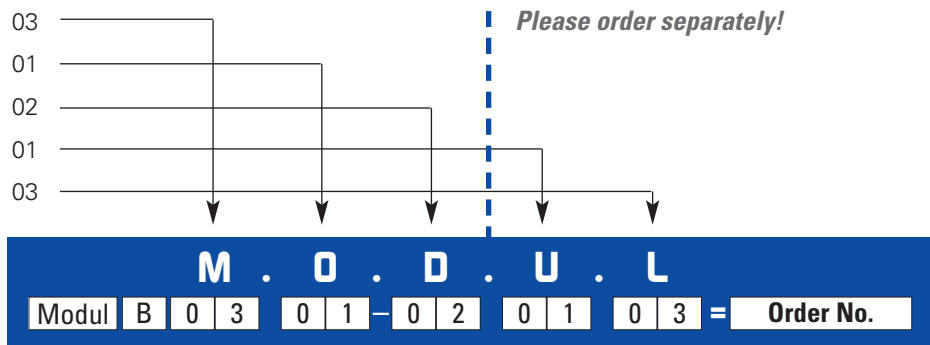
Modul B – components and foot versions



Example of an order number for one set

The complete order number to order the Modul is made up of the order numbers of the various components. First choose **the individual components**. Each component has a 2-figure order number. List **all the components (in other words all the order numbers)** in sequence.

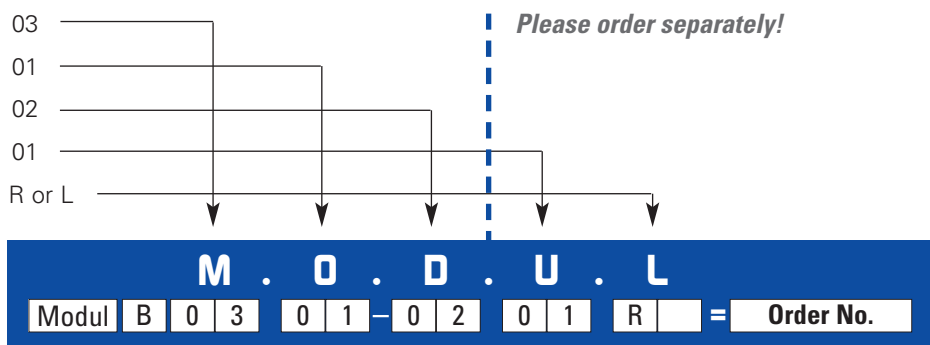
- M** Mounting height 800 mm = 03
- O** Back plate, top = 01
- D** Foot version (version A) = 02
- U** Crank length 350 mm = 01
- L** Connection shaft 1470 mm = 03



Example of an order number for a single leg

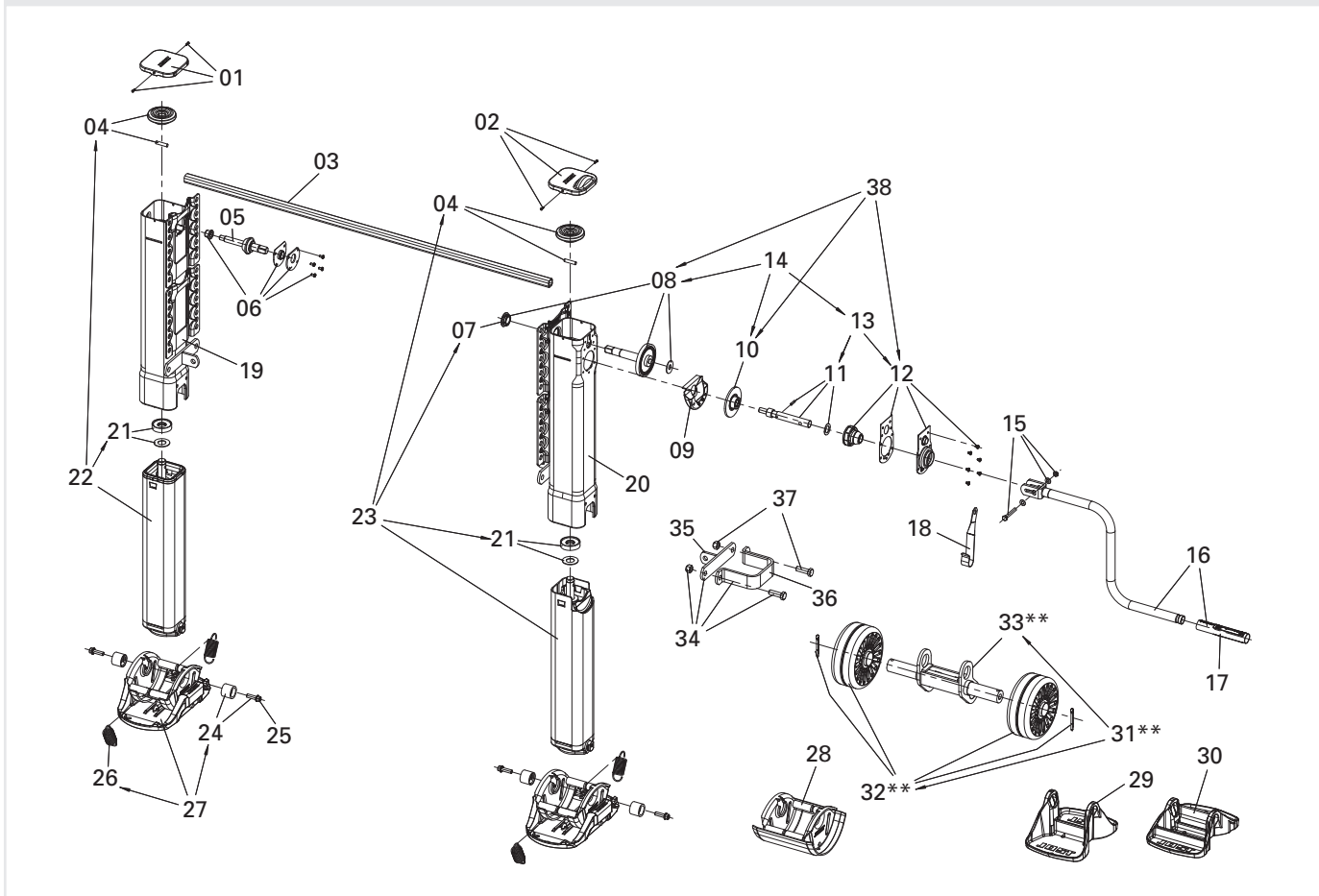
If you order a **single leg** the **connection shaft** will not be supplied. In this case enter an **R** for right drive or **L** for left driven under **L**.

- M** Mounting height 800 mm = 03
- O** Back plate, top = 01
- D** Foot version (version A) = 02
- U** Crank length 350 mm = 01
- L** Right-hand (R) or left-hand (L) side = R or L



Modul B

Spare parts



Item	Description	Remark	Order No.	per Kit
01	Cover, left with bolts		JS E0046100	1
02	Cover, right + bolts		JS E0046300	1
03	see individual components			
04	Bevel gear with bolt	from 020719/0126097	JS E0058600	2
05	Shaft		JS E0001500	1
06	Bearing	compl.	JS E0046200	1
07	Shaft		JS E0001800	1
08	Shaft with bearing	a	JS E0058700	1
09	Grease tank		JS E0002000	1
10	Gear wheel	a	JS E0055800	1
11	Crank shaft	compl.	JS E0046500	1
12	Bearing holder	compl. a	JS E0058800	1
13	Crankshaft and bearing holder	compl. with 11 + 12, a	JS E0056600	1
14	Drive	compl. with 08, 10 + 13, a	JS E0083700	1
15	Bolts, washers, nuts		JS E0043100	1
16	see individual components			
17	Crank bushing		JS E0042700	1
18	Crank parking hook	for crank 350 mm, (JS U01), b	JS E0040200	1
18	Crank parking hook	for crank 415-480 mm, (JS U02-JS U04), b	JS E0040201	1
18	Crank parking hook	for crank 520-620 mm (JS U05-JS U08), b	JS E0040202	1
19	Mh-01/900 shaft left	Plate A, top	JS E0031800	1
19	Mh-02/850 shaft left	Plate A, top	JS E0031801	1
19	Mh-03/800 shaft left	Plate A, top	JS E0031802	1
19	Mh-04/750 shaft left	Plate A, top	JS E0031803	1
19	Mh-05/700 shaft left	Plate A, top	JS E0031804	1
19	Mh-06/650 shaft left	Plate A, top	JS E0031805	1
19	Mh-01/900 shaft left	Plate A, bottom	JS E0031300	1
19	Mh-02/850 shaft left	Plate A, bottom	JS E0031301	1
19	Mh-03/800 shaft left	Plate A, bottom	JS E0031302	1
19	Mh-04/750 shaft left	Plate A, bottom	JS E0031303	1
19	Mh-05/700 shaft left	Plate A, bottom	JS E0031304	1
19	Mh-06/650 shaft left	Plate A, bottom	JS E0031305	1
19	Mh-01/900 shaft left	Double plate	JS E0030800	1
19	Mh-02/850 shaft left	Double plate	JS E0030801	1
19	Mh-03/800 shaft left	Double plate	JS E0030802	1
19	Mh-04/750 shaft left	Double plate	JS E0030803	1
19	Mh-05/700 shaft left	Double plate	JS E0030804	1
19	Mh-06/650 shaft left	Double plate	JS E0030805	1

Item	Description	Remark	Order No.	per Kit
20	Mh-01/900 shaft right	Plate A, top	JS E0028600	1
20	Mh-02/850 shaft right	Plate A, top	JS E0028601	1
20	Mh-03/800 shaft right	Plate A, top	JS E0028602	1
20	Mh-04/750 shaft right	Plate A, top	JS E0028603	1
20	Mh-05/700 shaft right	Plate A, top	JS E0028604	1
20	Mh-06/650 shaft right	Plate A, top	JS E0028605	1
20	Mh-01/900 shaft right	Plate A, bottom	JS E0029700	1
20	Mh-02/850 shaft right	Plate A, bottom	JS E0029701	1
20	Mh-03/800 shaft right	Plate A, bottom	JS E0029702	1
20	Mh-04/750 shaft right	Plate A, bottom	JS E0029703	1
20	Mh-05/700 shaft right	Plate A, bottom	JS E0029704	1
20	Mh-06/650 shaft right	Plate A, bottom	JS E0029705	1
20	Mh-01/900 shaft right	Double plate	JS E0029200	1
20	Mh-02/850 shaft right	Double plate	JS E0029201	1
20	Mh-03/800 shaft right	Double plate	JS E0029202	1
20	Mh-04/750 shaft right	Double plate	JS E0029203	1
20	Mh-05/700 shaft right	Double plate	JS E0029204	1
20	Mh-06/650 shaft right	Double plate	JS E0029205	1
21	Axial bearing with washer		JS E0066401	2
22	Mh-01/900 inner tube l. + spindle	with 21 + 04	JS E0056401	1
22	Mh-02/850 inner tube l. + spindle	with 21 + 04	JS E0056402	1
22	Mh-03/800 inner tube l. + spindle	with 21 + 04	JS E0056403	1
22	Mh-04/750 inner tube l. + spindle	with 21 + 04	JS E0056404	1
22	Mh-05/700 inner tube l. + spindle	with 21 + 04	JS E0056405	1
22	Mh-06/650 inner tube l. + spindle	with 21 + 04	JS E0056406	1
23	Mh-01/900 inner tube r. + spindle	with 21, 07 + 04	JS E0056201	1
23	Mh-02/850 inner tube r. + spindle	with 21, 07 + 04	JS E0056202	1
23	Mh-03/800 inner tube r. + spindle	with 21, 07 + 04	JS E0056203	1
23	Mh-04/750 inner tube r. + spindle	with 21, 07 + 04	JS E0056204	1
23	Mh-05/700 inner tube r. + spindle	with 21, 07 + 04	JS E0056205	1
23	Mh-06/650 inner tube r. + spindle	with 21, 07 + 04	JS E0056206	1
24	Nut and bolt		JS E0043300	2
25	Bolt		JS E0055300	4
26	Spring		JS E0012900	4
27	S foot	compl. with 24 + 26	JS D01	2
28	A foot	compl. with 24	JS D02	2
29	T foot	compl. with 24	JS D04	2
30	TC foot	compl. with 24*	JS D06	2
31	R foot	compl. with 24, 32 + 33*	JS D03	2
32	Wheels with split pins**		JS E0062200	2
33	Wheel holder**	JS E0067300	2	
34	Clamp with angle	with 35, 36, 37	JS E010.010	2
35	Angle		JS E010.001	2
36	Clamp		JS E010.002	2
37	Nut and bolt		JS E020.004	2
38	Drive repair kit	for Modul 2000	JS E0059200	1

^a from 020121/0009246

^b crank kit ...

* With the 06/TC foot version, item 30, the installation height Mh is reduced by 50 mm

* With the 03/roller foot version, item 31, the installation height Mh is increased by 43 mm

** 31, 32, 33: only for landing gears up to September 2008

Individual components, accessories and repair kits

Item	Description	Remark	Order No.	per Kit	Item	Description	Remark	Order No.	per Kit
03	Connection shaft 1340 mm		JS L01	1	16	Crank 350 mm w. parking hook	with 15, 17 + 18	JS U01	1
03	Connection shaft 1450 mm		JS L02	1	16	Crank 415 mm w. parking hook	with 15, 17 + 18	JS U02	1
03	Connection shaft 1470 mm		JS L03	1	16	Crank 450 mm w. parking hook	with 15, 17 + 18	JS U03	1
03	Connection shaft 1500 mm		JS L04	1	16	Crank 480 mm w. parking hook	with 15, 17 + 18	JS U04	1
03	Connection shaft 1505 mm		JS L05	1	16	Crank 520 mm w. parking hook	with 15, 17 + 18	JS U05	1
03	Connection shaft 1575 mm		JS L06	1	16	Crank 570 mm w. parking hook	with 15, 17 + 18	JS U07	1
03	Connection shaft 1605 mm		JS L07	1	16	Crank 620 mm w. parking hook	with 15, 17 + 18	JS U08	1
03	Connection shaft 1635 mm		JS L08	1					
03	Connection shaft 1700 mm		JS L09	1					
03	Connection shaft 1790 mm		JS L10	1					



Landing gear Modul CB

with two side operation

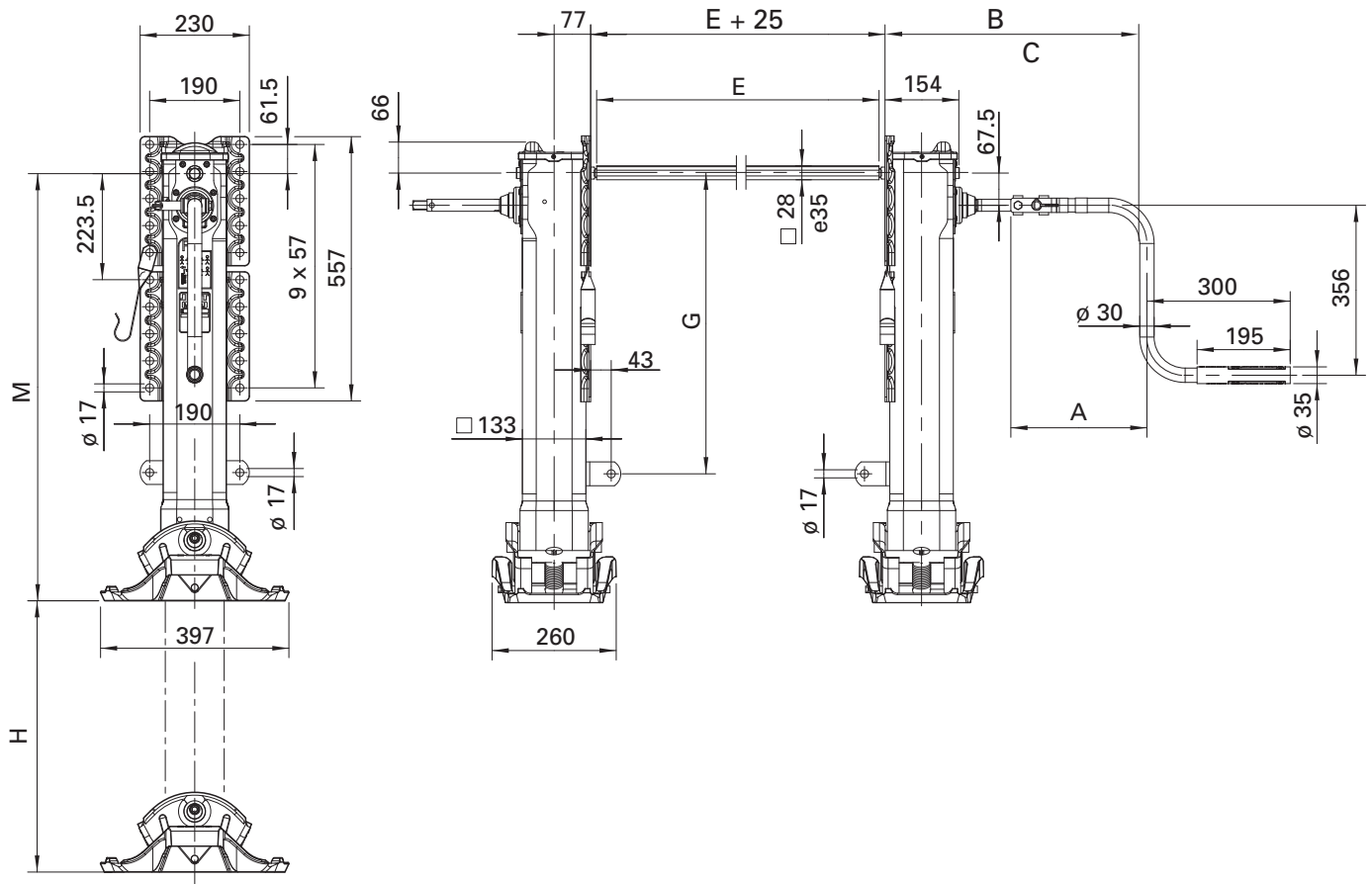
Advantages at a glance

- two side operation
- reduced crank force
- operation from either side alone is possible

Technical Features

- special handle for two side operation

Technical Specification



Technical Data (per set)

Characteristic	Value
Lifting capacity	24 t
Static load	50 t
Lift per turn of handle	
- Low gear	0,9 mm
- High gear	15,0 mm
Crank force at 16 t super imposed load	110 N

Selection table / Versions available

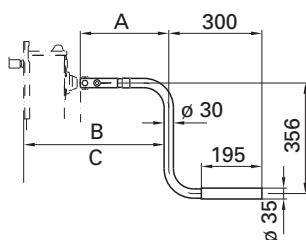
Order No.	M (mm)	H (mm)	G (mm)	Back plate	Foot
CB201110000	900	560	630	upper	S
CB201120000	900	560	630	upper	A
CB201140000	900	560	630	upper	T
CB201210000	900	560	630	lower	S
CB201220000	900	560	630	lower	A
CB201240000	900	560	630	lower	T
CB201310000	900	560	630	double	S
CB201320000	900	560	630	double	A
CB201340000	900	560	630	double	T
CB201160000	850	560	630	upper	TC
CB201260000	850	560	630	lower	TC
CB201360000	850	560	630	double	TC
CB202110000	850	520	580	upper	S
CB202120000	850	520	580	upper	A
CB202140000	850	520	580	upper	T
CB202210000	850	520	580	lower	S
CB202220000	850	520	580	lower	A
CB202240000	850	520	580	lower	T
CB202310000	850	520	580	double	S
CB202320000	850	520	580	double	A
CB202340000	850	520	580	double	T
CB202160000	800	520	580	upper	TC
CB202260000	800	520	580	lower	TC
CB202360000	800	520	580	double	TC
CB203110000	800	470	530	upper	S
CB203120000	800	470	530	upper	A
CB203140000	800	470	530	upper	T
CB203210000	800	470	530	lower	S
CB203220000	800	470	530	lower	A
CB203240000	800	470	530	lower	T
CB203310000	800	470	530	double	S
CB203320000	800	470	530	double	A
CB203340000	800	470	530	double	T
CB203160000	750	470	530	upper	TC
CB203260000	750	470	530	lower	TC
CB203360000	750	470	530	double	TC

Order No.	M (mm)	H (mm)	G (mm)	Back plate	Foot
CB204110000	750	430	480	upper	S
CB204120000	750	430	480	upper	A
CB204140000	750	430	480	upper	T
CB204210000	750	430	480	lower	S
CB204220000	750	430	480	lower	A
CB204240000	750	430	480	lower	T
CB204310000	750	430	480	double	S
CB204320000	750	430	480	double	A
CB204340000	750	430	480	double	T
CB204160000	700	430	480	upper	TC
CB204260000	700	430	480	lower	TC
CB204360000	700	430	480	double	TC
CB205110000	700	400	430	upper	S
CB205120000	700	400	430	upper	A
CB205140000	700	400	430	upper	T
CB205210000	700	400	430	lower	S
CB205220000	700	400	430	lower	A
CB205240000	700	400	430	lower	T
CB205310000	700	400	430	double	S
CB205320000	700	400	430	double	A
CB205340000	700	400	430	double	T
CB205160000	650	400	430	upper	TC
CB205260000	650	400	430	lower	TC
CB205360000	650	400	430	double	TC
CB206110000	650	350	380	upper	S
CB206120000	650	350	380	upper	A
CB206140000	650	350	380	upper	T
CB206210000	650	350	380	lower	S
CB206220000	650	350	380	lower	A
CB206240000	650	350	380	lower	T
CB206310000	650	350	380	double	S
CB206320000	650	350	380	double	A
CB206340000	650	350	380	double	T
CB206160000	600	350	380	upper	TC
CB206260000	600	350	380	lower	TC
CB206360000	600	350	380	double	TC

To complete your order for a Modul C please order the required crank handle and, if applicable, connection shaft separately.

Special crank handle for two side operation

Order No.	A	B (Low gear)	C (High gear)
JS U21	385	634	653
JS U22	405	654	673
JS U23	450	699	718
JS U24	505	754	773
JS U25	550	799	818



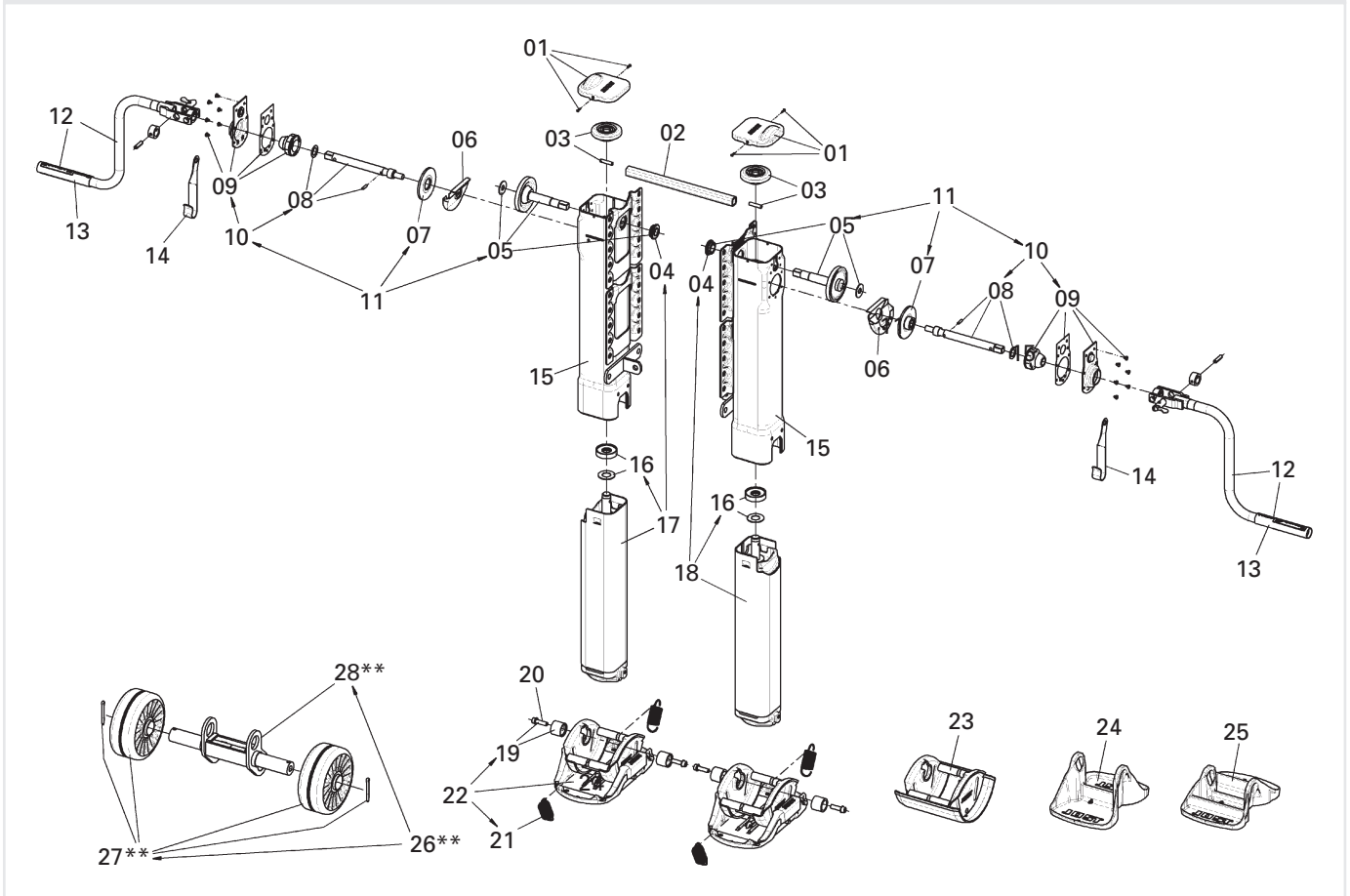
Connection shaft

Order No.	E (Length of connection shaft)
JS L01	1340
JS L02	1450
JS L03	1470
JS L04	1500
JS L05	1505
JS L06	1575
JS L07	1605
JS L08	1635
JS L09	1700
JS L10	1790



Modul CB

Spare parts



Item	Description	Remark	Order No.	per Kit
01	Cover, right + bolts		JS E0046300	2
02	see individual components			1
03	Bevel gear with bolts		JS E0058600	2
04	Shaft		JS E0001800	2
05	Shaft with bearing		JS E0058700	2
06	Grease tank		JS E0002000	2
07	Gear		JS E0055800	2
08	Crankshaft	compl.	JS E0062100	2
09	Bearing holder	compl.	JS E0058800	2
10	Crankshaft and bearing holder	compl. with 08 + 09	JS E0060100	2
11	Drive	compl. with 05 , 07 + 10	JS E0089800	2
12	see individual components			2
13	Crank bushing		JS E0042700	2
14	Crank parking hook	for crank 285-385mm	JS E0040201	2
14	Crank parking hook	for crank 405-550mm	JS E0040202	2
15	* Mh-01/900 shaft	Plate A, top	JS E0028600	2
15	* Mh-02/850 shaft	Plate A, top	JS E0028601	2
15	* Mh-03/800 shaft	Plate A, top	JS E0028602	2
15	* Mh-04/750 shaft	Plate A, top	JS E0028603	2
15	* Mh-05/700 shaft	Plate A, top	JS E0028604	2
15	* Mh-06/650 shaft	Plate A, top	JS E0028605	2
15	* Mh-01/900 shaft	Plate A, bottom	JS E0029700	2
15	* Mh-02/850 shaft	Plate A, bottom	JS E0029701	2
15	* Mh-03/800 shaft	Plate A, bottom	JS E0029702	2
15	* Mh-04/750 shaft	Plate A, bottom	JS E0029703	2
15	* Mh-05/700 shaft	Plate A, bottom	JS E0029704	2
15	* Mh-06/650 shaft	Plate A, bottom	JS E0029705	2
15	* Mh-01/900 shaft	Double plate	JS E0029200	2
15	* Mh-02/850 shaft	Double plate	JS E0029201	2
15	* Mh-03/800 shaft	Double plate	JS E0029202	2
15	* Mh-04/750 shaft	Double plate	JS E0029203	2
15	* Mh-05/700 shaft	Double plate	JS E0029204	2
15	* Mh-06/650 shaft	Double plate	JS E0029205	2
16	Axial bearing with washer		JS E0066401	2
17	* Mh-01/900 inner tube l. + spindle and bearing	with 16 + 04	JS E0060501	1
17	* Mh-02/850 inner tube l. + spindle and bearing	with 16 + 04	JS E0060502	1
17	* Mh-03/800 inner tube l. + spindle and bearing	with 16 + 04	JS E0060503	1
17	* Mh-04/750 inner tube l. + spindle and bearing	with 16 + 04	JS E0060504	1
17	* Mh-05/700 inner tube l. + spindle and bearing	with 16 + 04	JS E0060505	1

Item	Description	Remark	Order No.	per Kit
17	* Mh-06/650 inner tube l. + spindle and bearing	with 16 + 04	JS E0060506	1
18	* Mh-01/900 inner tube r. + spindle and bearing	with 16 + 04	JS E0056201	1
18	* Mh-02/850 inner tube r. + spindle and bearing	with 16 + 04	JS E0056202	1
18	* Mh-03/800 inner tube r. + spindle and bearing	with 16 + 04	JS E0056203	1
18	* Mh-04/750 inner tube r. + spindle and bearing	with 16 + 04	JS E0056204	1
18	* Mh-05/700 inner tube r. + spindle and bearing	with 16 + 04	JS E0056205	1
18	* Mh-06/650 inner tube r. + spindle and bearing	with 16 + 04	JS E0056206	1
19	Nut and bolt		JS E0043300	2
20	Bolt		JS E0055300	4
21	Spring		JS E0012900	4
22	S foot	compl. with 19 + 21	JS D01	2
23	A foot	compl. with 19	JS D02	2
24	T foot	compl. with 19	JS D04	2
25	TC foot	compl. with 19	JS D06	2
26	R foot**	compl. with 19 , 27 + 28	JS D03	2
27	Wheels with split pins**		JS E0062200	2
28	Wheel holder**		JS E0067300	2

* with the roller foot version the installation height Mh is increased by 43 mm

* with the TC foot version the installation height Mh is reduced by 50 mm

** 26, 27, 28: only for landing gears up to September 2008

Individual components, accessories and repair kits

Item	Description	Remark	Order No.	per Kit	Item	Description	Remark	Order No.	per Kit
02	Connection shaft 1340 mm		JS L01	1	12	Crank 285 mm w. parking hook	with 13 + 14	JS U20	2
02	Connection shaft 1450 mm		JS L02	1	12	Crank 385 mm w. parking hook	with 13 + 14	JS U21	2
02	Connection shaft 1470 mm		JS L03	1	12	Crank 405 mm w. parking hook	with 13 + 14	JS U22	2
02	Connection shaft 1500 mm		JS L04	1	12	Crank 450 mm w. parking hook	with 13 + 14	JS U23	2
02	Connection shaft 1505 mm		JS L05	1	12	Crank 505 mm w. parking hook	with 13 + 14	JS U24	2
02	Connection shaft 1575 mm		JS L06	1	12	Crank 550 mm w. parking hook	with 13 + 14	JS U25	2
02	Connection shaft 1605 mm		JS L07	1					
02	Connection shaft 1635 mm		JS L08	1					
02	Connection shaft 1700 mm		JS L09	1					
02	Connection shaft 1790 mm		JS L10	1					



Landing gear Modul CC

Compact

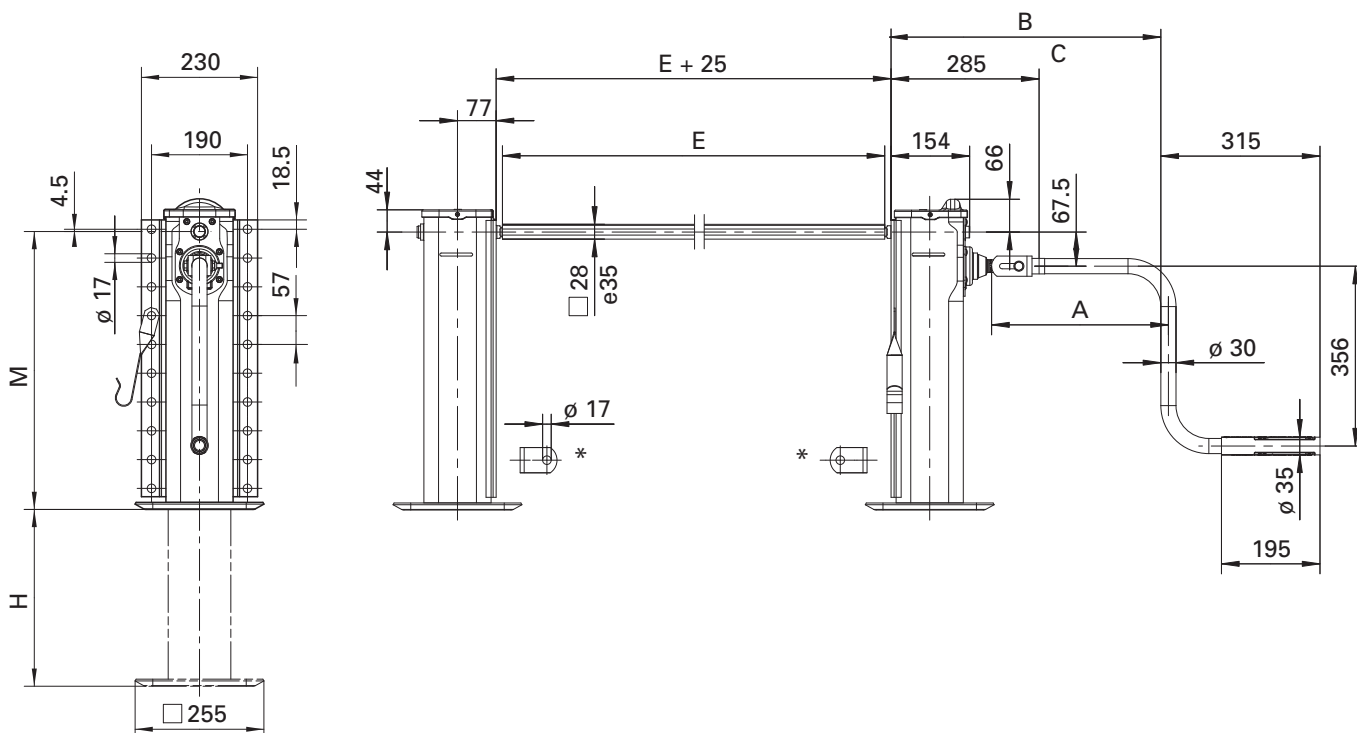
Advantages at a glance

- extremely compact installation
- maximum stroke combined with low mounting height

Technical Features

- full length back plate
- rigid sand shoe

Technical Specification



* Bracing lugs are supplied loose
Dimensions A, B and C, see page 111.

Selection table / Versions available

Order No.	M (mm)	H (mm)	Back plate	Foot
CC106470000	650	430	full length	T rigid
CC108470000	600	400	full length	T rigid
CC109470000	550	350	full length	T rigid
CC110470000	500	300	full length	T rigid
CC111470000	450	250	full length	T rigid

Technical Data (per set)

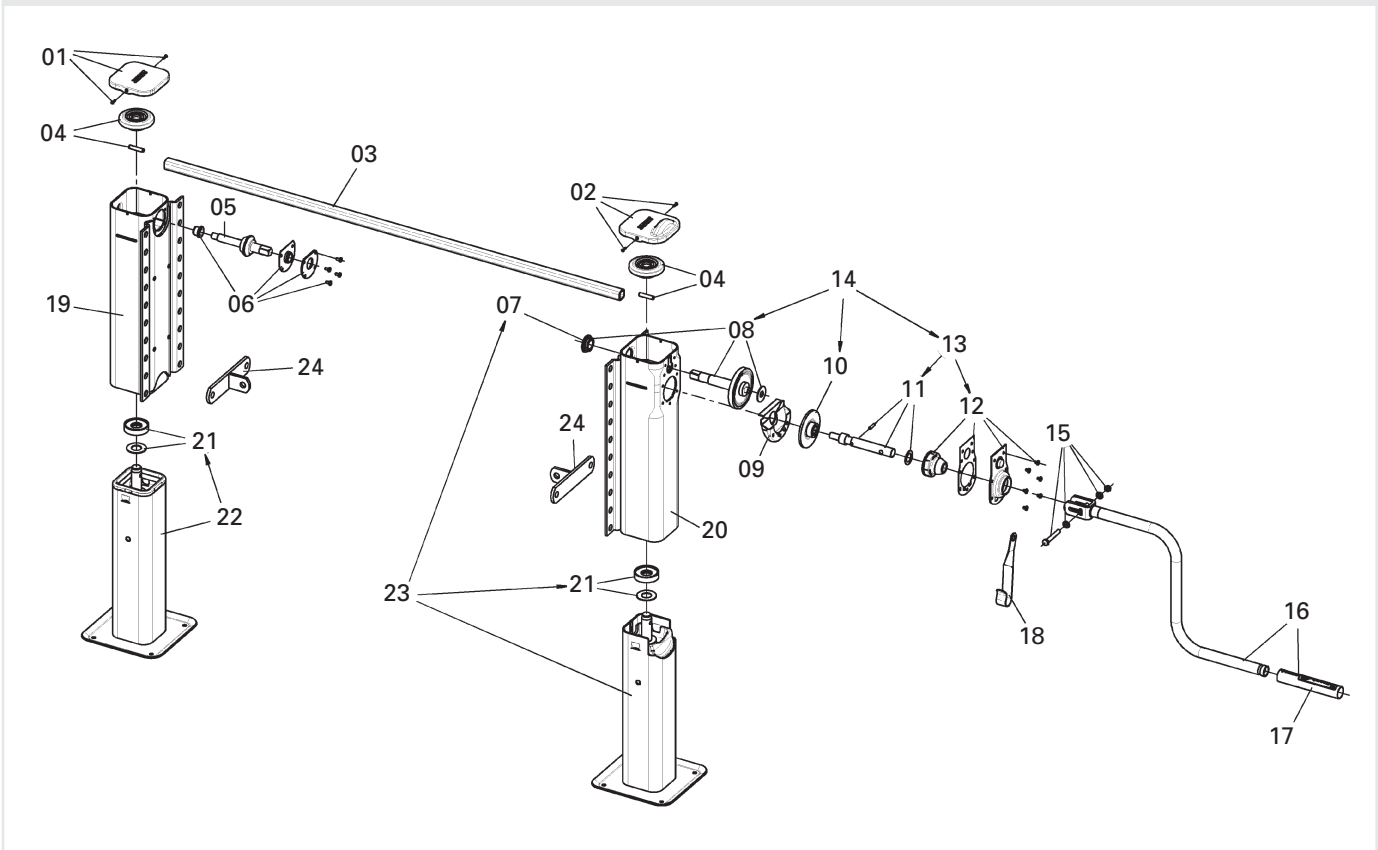
Characteristic	Value
Lifting capacity	24 t
Static load	50 t
Lifting capacity and static load by use of the swivel bearings JS E010.011 and JS E010.012	10 t
Lift per turn of handle	
- Low gear	0,9 mm
- High gear	15,0 mm
Crank force at 16 t super imposed load	210 N

Remarks:

Please order crank handle and connection shaft separately, see page 111.

Modul CC

Spare parts



Item	Description	Remark	Order No.	per Kit
01	Cover, left with bolts		JS E0046100	1
02	Cover, right + bolts		JS E0046300	1
03	see individual components			1
04	Bevel gear with bolts		JS E0058600	2
05	Shaft		JS E0001500	1
06	Bearing	compl.	JS E0046200	1
07	Shaft		JS E0001800	1
08	Shaft with bearing		JS E0058700	1
09	Grease tank		JS E0002000	1
10	Gear		JS E0055800	1
11	Crank shaft	compl.	JS E0046500	1
12	Bearing holder	compl.	JS E0058800	1
13	Crankshaft and bearing holder	compl. with 11 + 12	JS E0056600	1
14	Drive	compl. with 08, 10 + 13	JS E0083700	1
15	Bolts, washers, nuts		JS E0043100	1
16	see individual components			1
17	Crank bushing		JS E0042700	1
18	Crank parking hook	for crank 415-480 mm (JS U02-JS U04)	JS E0040201	1
18	Crank parking hook	for crank 350 mm (JS U01)	JS E0040200	1
18	Crank parking hook	for crank 520-620 mm (JS U05-JS U08)	JS E0040202	1
19	Mh-06/650 shaft left		JS E0069301	1
19	Mh-08/600 shaft left		JS E0069302	1
19	Mh-09/550 shaft left		JS E0069303	1
19	Mh-10/500 shaft left		JS E0069304	1
19	Mh-11/450 shaft left		JS E0069305	1
20	Mh-06/650 shaft right		JS E0069201	1
20	Mh-08/600 shaft right		JS E0069202	1
20	Mh-09/550 shaft right		JS E0069203	1
20	Mh-10/500 shaft right		JS E0069204	1
20	Mh-11/450 shaft right		JS E0069205	1
21	Axial bearing with washer		JS E0066401	2
22	Mh-06/650 inner tube l. + spindle and bearing	with 21	JS E0068901	1
22	Mh-08/600 inner tube l. + spindle and bearing	with 21	JS E0068902	1
22	Mh-09/550 inner tube l. + spindle and bearing	with 21	JS E0068903	1
22	Mh-10/500 inner tube l. + spindle and bearing	with 21	JS E0068904	1
22	Mh-11/450 inner tube l. + spindle and bearing	with 21	JS E0068905	1
23	Mh-06/650 inner tube r. + spindle and bearing	with 21 + 07	JS E0068801	1
23	Mh-08/600 inner tube r. + spindle and bearing	with 21 + 07	JS E0068802	1
23	Mh-09/550 inner tube r. + spindle and bearing	with 21 + 07	JS E0068803	1
23	Mh-10/500 inner tube r. + spindle and bearing	with 21 + 07	JS E0068804	1
23	Mh-11/450 inner tube r. + spindle and bearing	with 21 + 07	JS E0068805	1
24	Angle		JS E010.001	2



Individual components, accessories and repair kits

Item	Description	Remark	Order No.	per Kit	Item	Description	Remark	Order No.	per Kit
03	Connection shaft 1340 mm		JS L01	1	16	Crank 350 mm w. parking hook	with 15, 17 + 18	JS U01	1
03	Connection shaft 1450 mm		JS L02	1	16	Crank 415 mm w. parking hook	with 15, 17 + 18	JS U02	1
03	Connection shaft 1470 mm		JS L03	1	16	Crank 450 mm w. parking hook	with 15, 17 + 18	JS U03	1
03	Connection shaft 1505 mm		JS L05	1	16	Crank 480 mm w. parking hook	with 15, 17 + 18	JS U04	1
03	Connection shaft 1575 mm		JS L06	1	16	Crank 520 mm w. parking hook	with 15, 17 + 18	JS U05	1
03	Connection shaft 1605 mm		JS L07	1	16	Crank 570 mm w. parking hook	with 15, 17 + 18	JS U07	1
03	Connection shaft 1635 mm		JS L08	1	16	Crank 620 mm w. parking hook	with 15, 17 + 18	JS U08	1
03	Connection shaft 1700 mm		JS L09	1					
03	Connection shaft 1790 mm		JS L10	1					

Landing gear Modul CD

Tandem leg

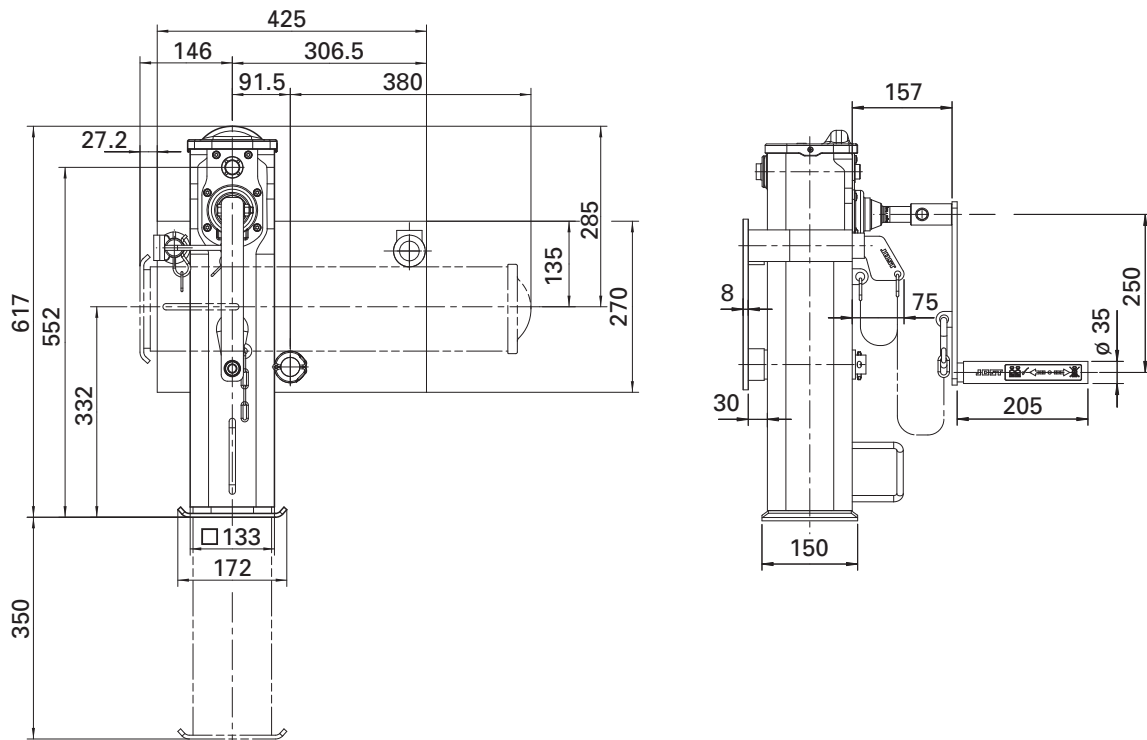
Advantages at a glance

- for central axle trailers
- rigid shoe for particularly compact installation
- can be swivelled up for additional ground clearance

Technical Features

- single leg
- swivel bearing
- rigid sand shoe

Technical Specification



Selection table / Versions available

Order No.	M (mm)	H (mm)	Back plate	Foot
CD1090700R	550	350	swivel bearing	T rigid

Technical Data

Characteristic	Value
Lifting capacity	5 t
Static load	5 t
Lift per turn of handle	
- Low gear	0,9 mm
- High gear	15,0 mm
Crank force at 5 t super imposed load	140 N

Special Accessories

compact crank handle

Order No.	Description
JS U31	Tandem crank handle, folding
JS U32	Tandem crank handle, rigid

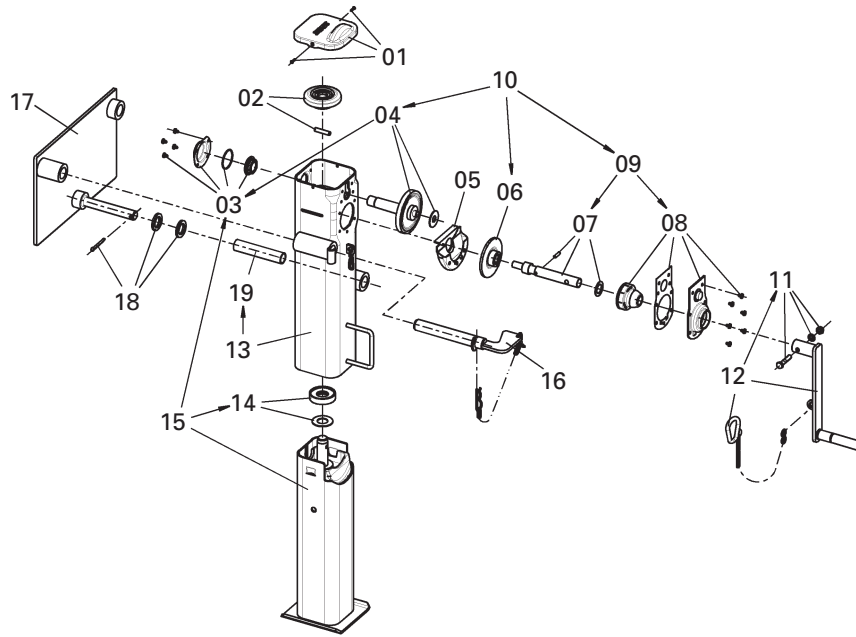
Remarks:

Please order crank handle and connection shaft separately, see page 111.



Modul CD

Spare parts



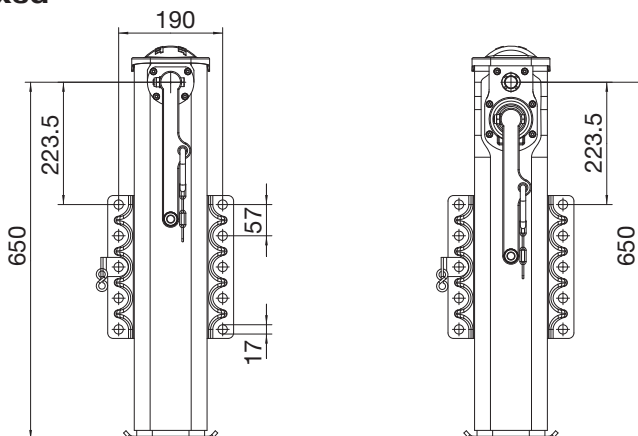
Item	Description	Remark	Order No.	per Kit
01	Cover with bolts		JS E0046300	1
02	Bevel gear with bolts		JS E0058600	1
03	Cover with bearing	compl.	JS E0083900	1
04	Shaft with bearing		JS E0084100	1
05	Grease tank		JS E0002000	1
06	Gear		JS E0055800	1
07	Crank shaft	compl.	JS E0046500	1
08	Bearing holder	compl.	JS E0058800	1
09	Crankshaft and bearing holder	compl. with 07 + 08	JS E0056600	1
10	Drive	compl. with 04, 06 + 09	JS E0084300	1
11	Bolts with washers and nuts		JS E0043101	1
12	Crank with spring hook	with 11	JS U31	1
13	Shaft	with 19	JS E0072701	1
14	Axial bearing with washer		JS E0066401	1
15	Inner tube + spindle and bearing	with 14 + 03	JS E0067001	1
16	Pin	compl.	JS E0077600	1
17	Locking bearing	compl. with 18	JS E0073100	1
18	Washers and split pin		JS E0088200	1
19	Bushing		JS E0092100	1

Landing gear Modul CD

Tandem leg – For all central axle trailers, both for road traffic and agricultural use.

The legs can be welded or bolted on.
With a larger hub in the proven module technology design

Drawbar landing legs fixed

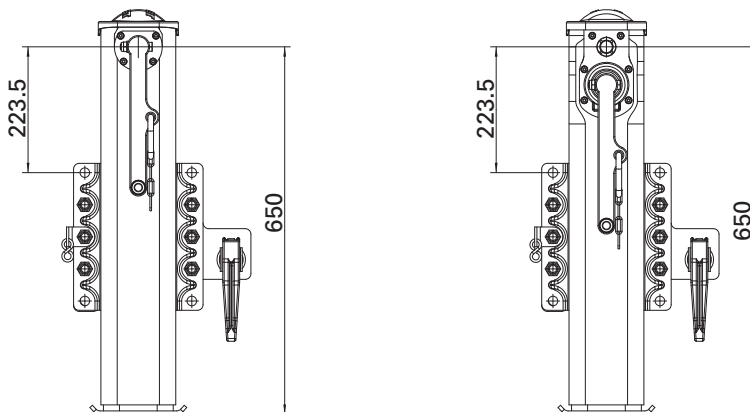


Selection table / Versions available (fixed)

Order No.	Description	Static load (t)	Lifting capacity (t)	Lift (mm)
CD1062700L	Single speed leg	12	2	430
CD1062700R	2-speed leg	12	10	430

Swivelling model

- Added ground clearance (with swivel joint)
- Modularly upgradeable by means of separate pivot bearing



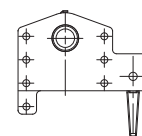
Selection table / Versions available (swivelling)

Order No.	Description	Static load (t)	Lifting capacity (t)	Lift (mm)
CD1062700LB4	Single speed leg with pivot bearing	5	2	430
CD1062700RB4	2-speed leg with pivot bearing	5	5	430

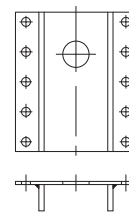
Pivot bearing JS E010.013, with bolt kit JS E020.005 included loose

Accessories

Order No.	Description
JS E010.013	Pivot bearing
JS E020.005	Bolt kit (12 bolts and nuts)
JS E020.003	Back plate
JS U31	Tandem crank handle, folding
JS U32	Tandem crank handle, rigid



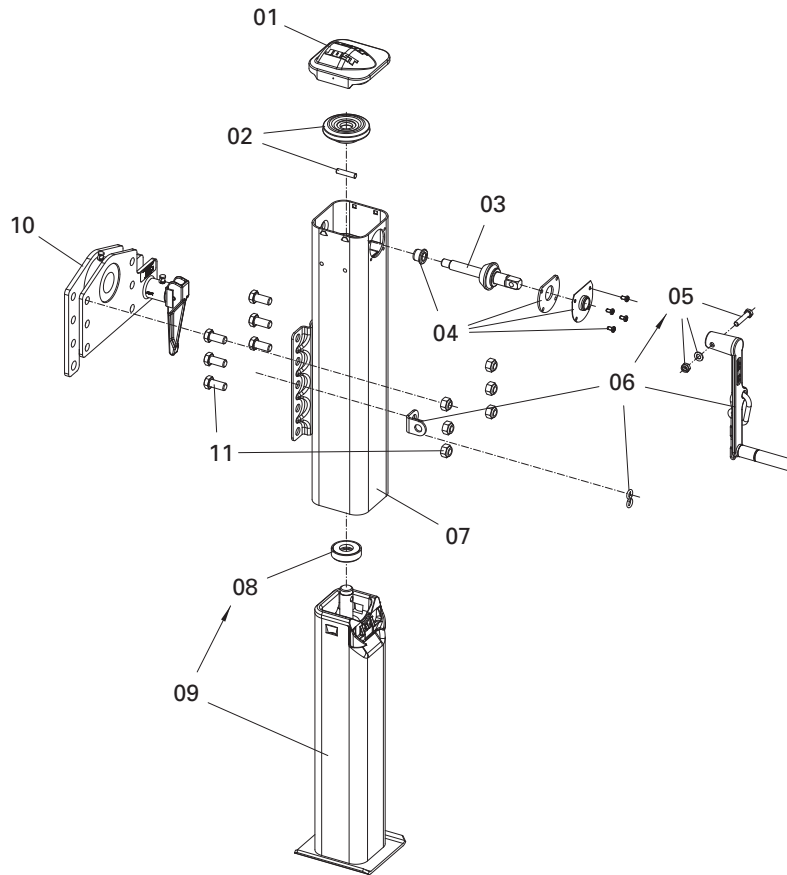
JS E010.013



JS E020.003

Drawbar jack CD1062700L / LB4

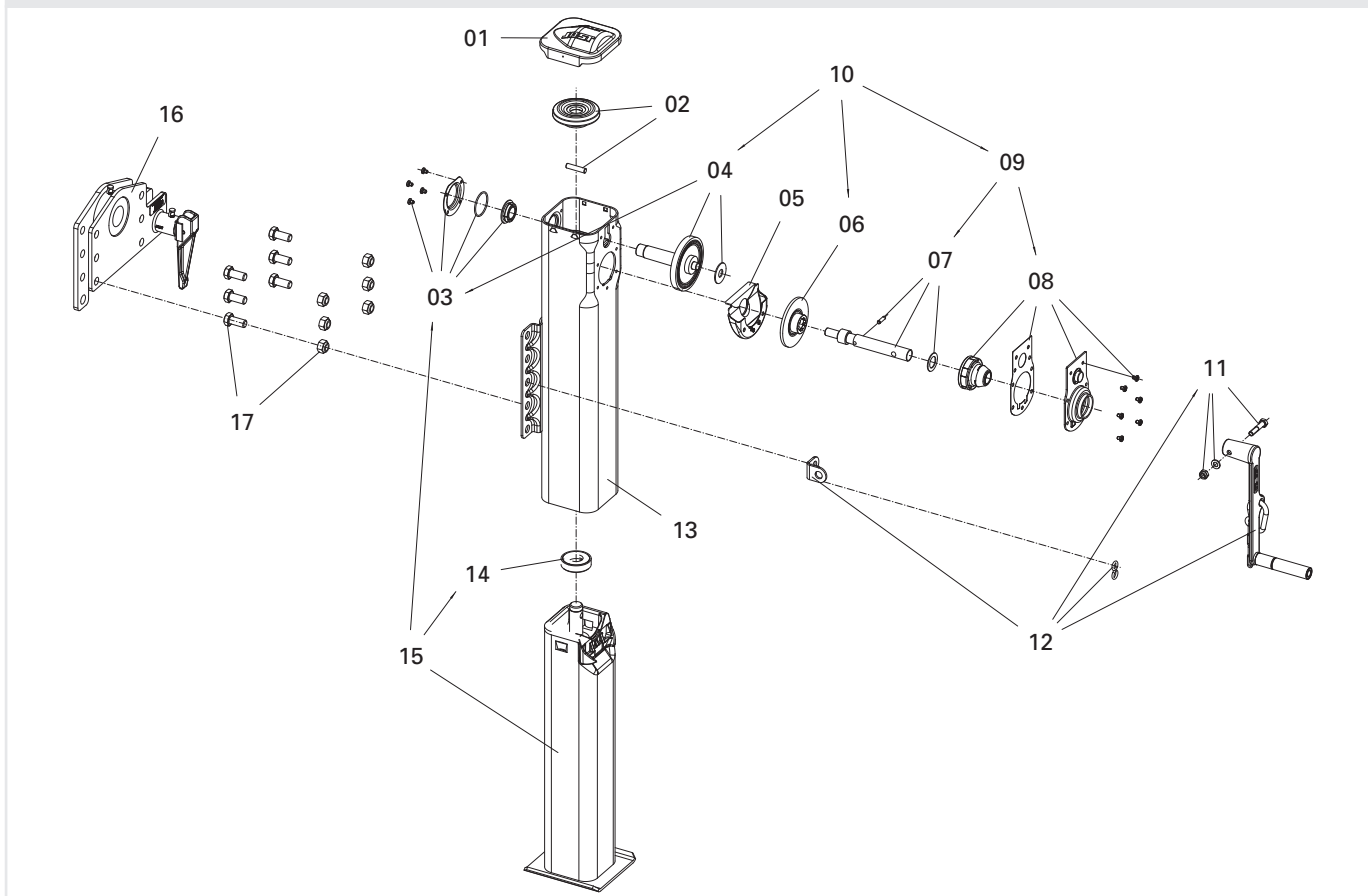
Ersatzteile



Pos.	Benennung	Bemerkung	Artikel-Nr.	pro Satz
01	Cover left		JS E0046100	1
02	Bevel gear with bolt		JS E0058600	1
03	Shaft		JS E0001500	1
04	Bearing compl.		JS E0048200	1
05	Bolts with washers and nuts		JS E0043101	1
06	Crank handle compl.	with Pos. 05	JS U31 or JS U32	1
07	Schaft		JS E0104501	1
08	Axial bearing		JS E0066401	1
09	Inner tube with spindle and bearing	with Pos. 08	JS E1092602	1
10	Pivot bearing	for CD1062700LB4	JS E010.013	1
11	Bolt kit	for CD1062700LB4	JS E020.005	1

Drawbar jack CD1062700R / RB4

Ersatzteile



Pos.	Benennung	Bemerkung	Artikel-Nr.	pro Satz
01	Cover		JS E0046300	1
02	Bevel gear with bolt		JS E0058600	1
03	Cover compl. with bearing		JS E0083900	1
04	Shaft with bearing		JS E0084100	1
05	Grease tank		JS E0002000	1
06	Gear		JS E0055800	1
07	Crank shaft compl.		JS E0046500	1
08	Bearing holder compl.		JS E0058800	1
09	Crank shaft and bearing holder compl.	with Pos. 07 and 08	JS E0056600	1
10	Drive compl.	with Pos. 04 , 06 and 09	JS E0084300	1
11	Bolts with washers and nuts		JS E0043101	1
12	Crank handle with spring hooks	with Pos. 11	JS U31 or JS U32	1
13	Schaft	with Pos. 19	JS E0104401	1
14	Axial bearing		JS E0066401	1
15	Inner tube with Spindle	with Pos. 14 and 03	JS E1086301	1
16	Pivot bearing	for CD1062700RB4	JS E010.013	1
17	Bolt kit	for CD1062700RB4	JS E020.005	1



Landing gear Modul CF

Drop leg with telescopic lift

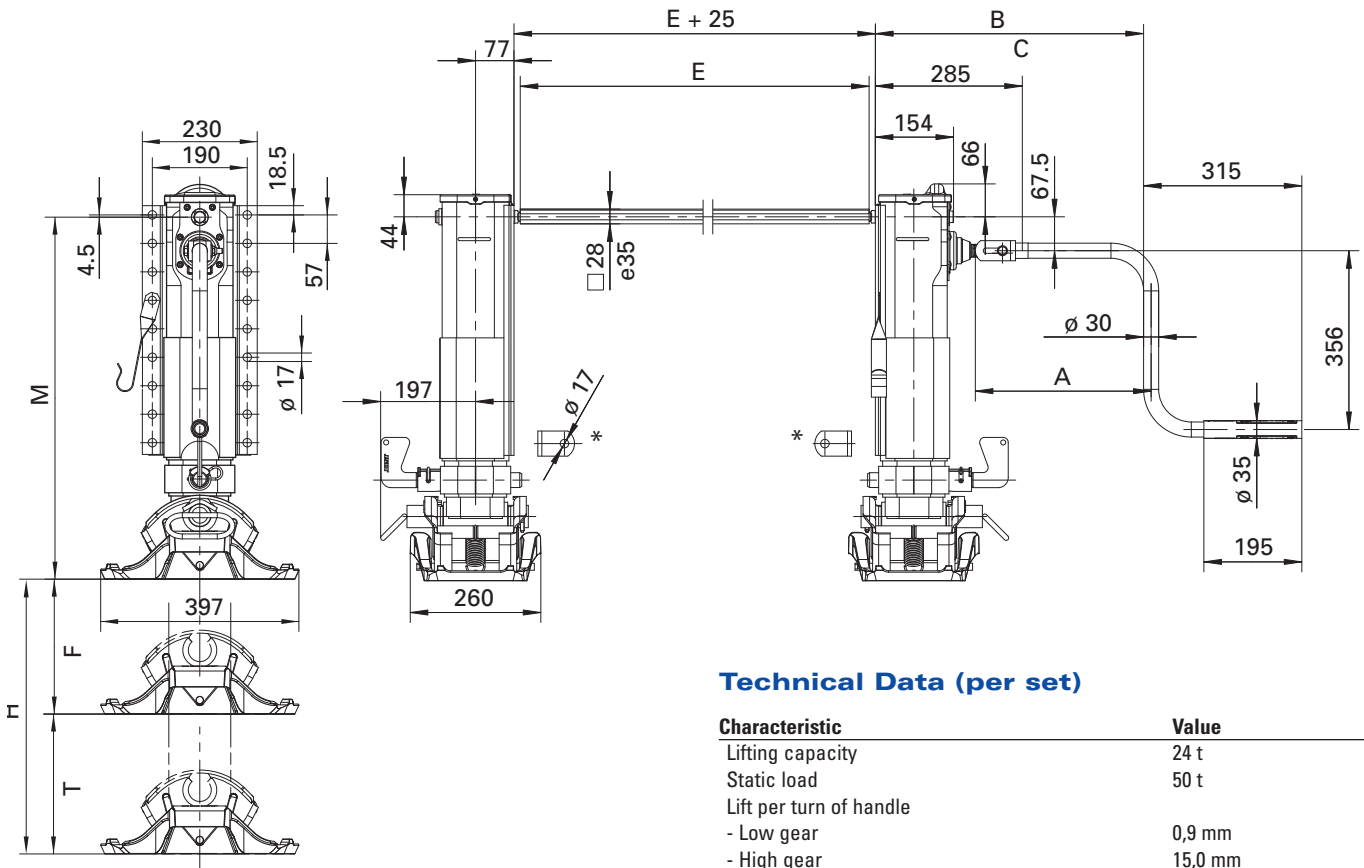
Advantages at a glance

- maximum stroke combined with low mounting height
- compact installation

Technical Features

- additional drop extension
- full length back plate
- reinforcement

Technical Specification



Technical Data (per set)

Characteristic	Value
Lifting capacity	24 t
Static load	50 t
Lift per turn of handle	
- Low gear	0,9 mm
- High gear	15,0 mm
Crank force at 16 t super imposed load	210 N

* Bracing lugs are supplied loose
Dimensions A, B and C, see page 111.

Selection table / Versions available

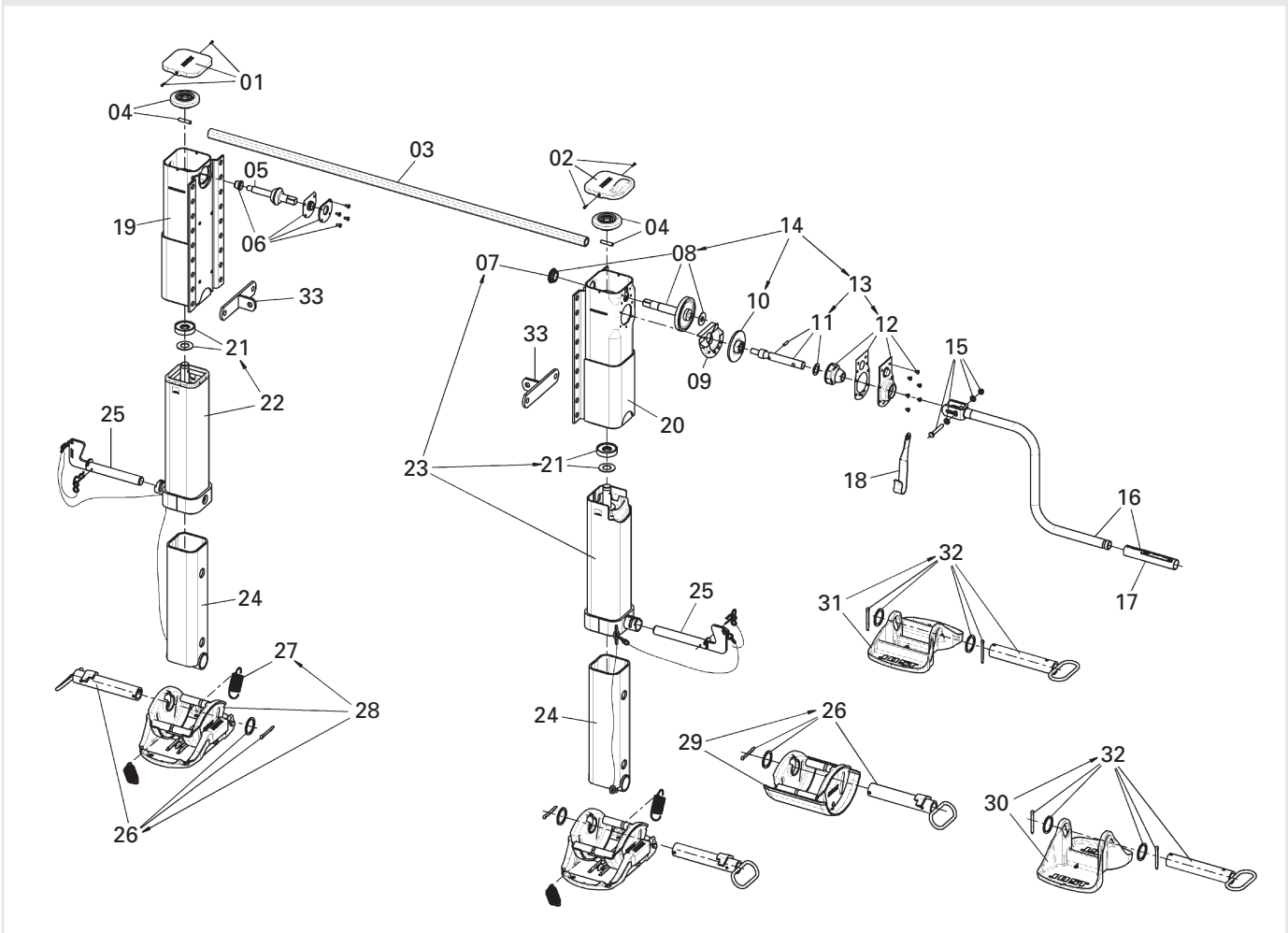
Order No.	M (mm)	F (mm)	T (mm)	H (mm)	Back plate (mm)	Foot
CF142410000	925	470	430	900	full length	S
CF142420000	925	470	430	900	full length	A
CF142440000	925	470	430	900	full length	T
CF142460000	875	470	430	900	full length	TC
CF143410000	875	420	400	820	full length	S
CF143420000	875	420	400	820	full length	A
CF143440000	875	420	400	820	full length	T
CF143460000	825	420	400	820	full length	TC
CF144410000	825	370	380	750	full length	S
CF144420000	825	370	380	750	full length	A
CF144440000	825	370	380	750	full length	T
CF144460000	775	370	380	750	full length	TC
CF145410000	775	320	330	650	full length	S
CF145420000	775	320	330	650	full length	A

Order No.	M (mm)	F (mm)	T (mm)	H (mm)	Back plate (mm)	Foot
CF145440000	775	320	330	650	full length	T
CF145460000	725	320	330	650	full length	TC
CF146410000	725	270	280	550	full length	S
CF146420000	725	270	280	550	full length	A
CF146440000	725	270	280	550	full length	T
CF146460000	675	270	280	550	full length	TC
CF147410000	675	220	230	450	full length	S
CF147420000	675	220	230	450	full length	A
CF147440000	675	220	230	450	full length	T
CF147460000	625	220	230	450	full length	TC
CF148410000	625	170	180	350	full length	S
CF148420000	625	170	180	350	full length	A
CF148440000	625	170	180	350	full length	T
CF148460000	575	170	180	350	full length	TC

Remarks:
Please order crank handle and connection shaft separately, see page 111.

Modul CF

Spare parts



Item	Description	Remark	Order No.	per Kit
01	Cover, left with bolts		JS E0046100	1
02	Cover with bolts		JS E0046300	1
03	see individual components			1
04	Bevel gear with bolts		JS E0058600	2
05	Shaft		JS E0001500	1
06	Bearing	compl.	JS E0046200	1
07	Shaft		JS E0001800	1
08	Shaft with bearing		JS E0058700	1
09	Grease tank		JS E0002000	1
10	Gear		JS E0055800	1
11	Crank shaft	compl.	JS E0046500	1
12	Bearing holder	compl.	JS E0058800	1
13	Crankshaft and bearing holder	compl. with 11 + 12	JS E0056600	1
14	Drive	compl. with 08, 10 + 13	JS E0083700	1
15	Bolts, washers, nuts		JS E0043100	1
16	see individual components			1
17	Crank bushing		JS E0042700	1
18	Crank parking hook	for crank 350 mm (JS U01)	JS E0040200	1
18	Crank parking hook	for crank 415-480 mm (JS U02-JS U04)	JS E0040201	1
18	Crank parking hook	for crank 520-620 mm (JS U05-JS U08)	JS E0040202	1
19	Mh-42/925 shaft left		JS E0071301	1
19	Mh-43/875 shaft left		JS E0071302	1
19	Mh-44/825 shaft left		JS E0071303	1
19	Mh-45/775 shaft left		JS E0071304	1
19	Mh-46/725 shaft left		JS E0071305	1
19	Mh-47/675 shaft left		JS E0071306	1
19	Mh-48/625 shaft left		JS E0071307	1
20	Mh-42/925 shaft right		JS E0070601	1
20	Mh-43/875 shaft right		JS E0070602	1
20	Mh-44/825 shaft right		JS E0070603	1
20	Mh-45/775 shaft right		JS E0070604	1
20	Mh-46/725 shaft right		JS E0070605	1
20	Mh-47/675 shaft right		JS E0070606	1
20	Mh-48/625 shaft right		JS E0070607	1
21	Axial bearing with washer		JS E0066401	2



Item	Description	Remark	Order No.	per Kit
22	Mh-42/925 inner tube l. + spindle and bearing	with 21	JS E0071501	1
22	Mh-43/875 inner tube l. + spindle and bearing	with 21	JS E0071502	1
22	Mh-44/825 inner tube l. + spindle and bearing	with 21	JS E0071503	1
22	Mh-45/775 inner tube l. + spindle and bearing	with 21	JS E0071504	1
22	Mh-46/725 inner tube l. + spindle and bearing	with 21	JS E0071505	1
22	Mh-47/675 inner tube l. + spindle and bearing	with 21	JS E0071506	1
22	Mh-48/625 inner tube l. + spindle and bearing	with 21	JS E0071507	1
23	Mh-42/925 inner tube r. + spindle and bearing	with 21 + 07	JS E0070801	1
23	Mh-43/875 inner tube r. + spindle and bearing	with 21 + 07	JS E0070802	1
23	Mh-44/825 inner tube r. + spindle and bearing	with 21 + 07	JS E0070803	1
23	Mh-45/775 inner tube r. + spindle and bearing	with 21 + 07	JS E0070804	1
23	Mh-46/725 inner tube r. + spindle and bearing	with 21 + 07	JS E0070805	1
23	Mh-47/675 inner tube r. + spindle and bearing	with 21 + 07	JS E0070806	1
23	Mh-48/625 inner tube r. + spindle and bearing	with 21 + 07	JS E0070807	1
24	Mh-42/925 support leg with chain		JS E0071001	2
24	Mh-43/875 support leg with chain		JS E0071002	2
24	Mh-44/825 support leg with chain		JS E0071003	2
24	Mh-45/775 support leg with chain		JS E0071004	2
24	Mh-46/725 support leg with chain		JS E0071005	2
24	Mh-47/675 support leg with chain		JS E0071006	2
24	Mh-48/625 support leg with chain		JS E0071007	2
25	Pin	compl.	JS E0075000	2
26	Shaft	compl. for A and S foot	JS E0071800	2
27	Spring		JS E0012900	4
28	S foot	compl. with 26 + 27	JS D01CF	2
29	A foot	compl. with 26	JS D02CF	2
30	T foot	compl. with 32	JS D04CF	2
31	TC foot	compl. with 32	JS D06CF	2
32	Shaft	compl. for T and TC foot	JS E0085600	2
33	Angle		JS E010.001	2

Individual components, accessories and repair kits

Item	Description	Remark	Order No.	per Kit	Item	Description	Remark	Order No.	per Kit
03	Connection shaft 1340 mm		JS L01	1	16	Crank 350 mm w. parking hook	with 15, 17 + 18	JS U01	1
03	Connection shaft 1450 mm		JS L02	1	16	Crank 415 mm w. parking hook	with 15, 17 + 18	JS U02	1
03	Connection shaft 1470 mm		JS L03	1	16	Crank 450 mm w. parking hook	with 15, 17 + 18	JS U03	1
03	Connection shaft 1500 mm		JS L04	1	16	Crank 480 mm w. parking hook	with 15, 17 + 18	JS U04	1
03	Connection shaft 1505 mm		JS L05	1	16	Crank 520 mm w. parking hook	with 15, 17 + 18	JS U05	1
03	Connection shaft 1575 mm		JS L06	1	16	Crank 570 mm w. parking hook	with 15, 17 + 18	JS U07	1
03	Connection shaft 1605 mm		JS L07	1	16	Crank 620 mm w. parking hook	with 15, 17 + 18	JS U08	1
03	Connection shaft 1635 mm		JS L08	1					
03	Connection shaft 1700 mm		JS L09	1					
03	Connection shaft 1790 mm		JS L10	1					

Landing gear Modul CF

Drop leg with telescopic lift and rigid sand shoe

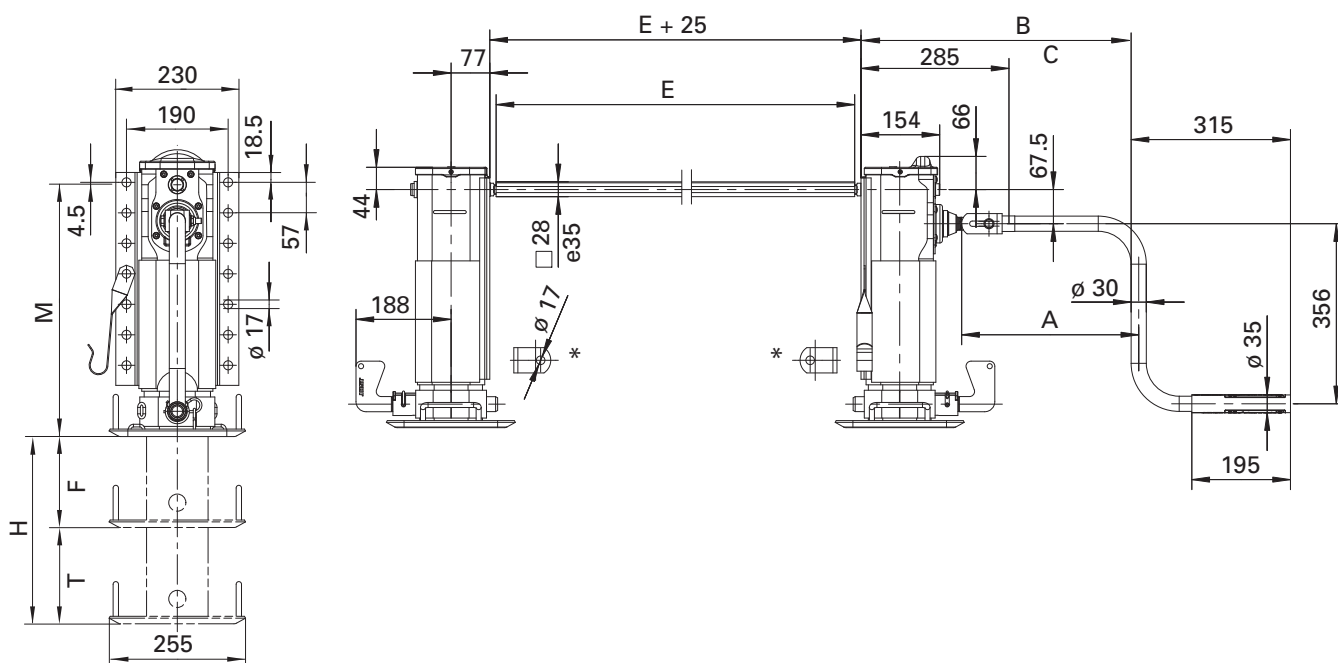
Advantages at a glance

- extremely compact
- maximum stroke combined with low mounting height

Technical Features

- rigid sand shoe
- additional drop extension
- full length back plate
- reinforcement

Technical Specification



* Bracing lugs are supplied loose
Dimensions A, B and C, see page 111.

Selection table / Versions available

Order No.	M (mm)	F (mm)	T (mm)	H (mm)	Back plate (mm)	Foot
CF151470000	670	370	380	750	full length	T rigid
CF152470000	620	320	330	650	full length	T rigid
CF153470000	570	270	280	550	full length	T rigid

Order No.	M (mm)	F (mm)	T (mm)	H (mm)	Back plate (mm)	Foot
CF154470000	520	220	230	450	full length	T rigid
CF155470000	470	170	180	350	full length	T rigid

Technical Data (per set)

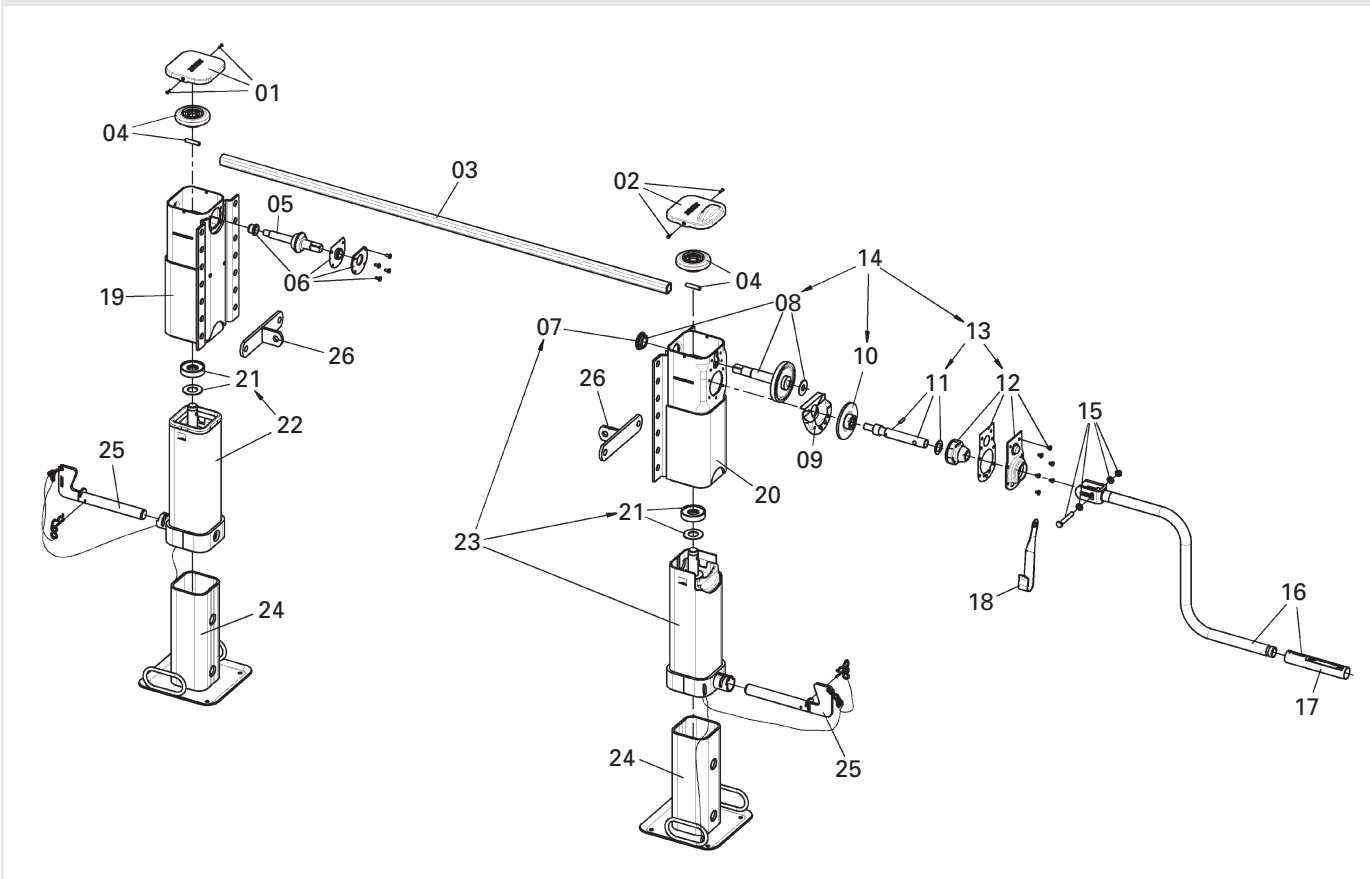
Characteristic	Value
Lifting capacity	24 t
Static load	50 t
Lift per turn of handle	
- Low gear	0,9 mm
- High gear	15,0 mm
Crank force at 16 t super imposed load	210 N

Remarks:

Please order crank handle and connection shaft separately, see page 111

Modul CF

Spare parts



Item	Description	Remark	Order No.	per Kit
01	Cover, left with bolts		JS E0046100	1
02	Cover, right + bolts		JS E0046300	1
03	see individual components			1
04	Bevel gear with bolts		JS E0058600	2
05	Shaft		JS E0001500	1
06	Bearing	compl.	JS E0046200	1
07	Shaft		JS E0001800	1
08	Shaft with bearing		JS E0058700	1
09	Grease tank		JS E0002000	1
10	Gear		JS E0055800	1
11	Crank shaft	compl.	JS E0046500	1
12	Bearing holder	compl.	JS E0058800	1
13	Crankshaft and bearing holder	compl. with 11 + 12	JS E0056600	1
14	Drive	compl. with 08, 10 + 13	JS E0083700	1
15	Bolts, washers, nuts		JS E0043100	1
16	see individual components			1
17	Crank bushing		JS E0042700	1
18	Crank parking hook	for crank 350 mm (JS U01)	JS E0040200	1
18	Crank parking hook	for crank 415-480 mm (JS U02-JS U04)	JS E0040201	1
18	Crank parking hook	for crank 520-620 mm (JS U05-JS U08)	JS E0040202	1
19	Mh-51/670 shaft left		JS E0071303	1
19	Mh-52/620 shaft left		JS E0071304	1
19	Mh-53/570 shaft left		JS E0071305	1
19	Mh-54/520 shaft left		JS E0071306	1
19	Mh-55/470 shaft left		JS E0071307	1
20	Mh-51/670 shaft right		JS E0070603	1
20	Mh-52/620 shaft right		JS E0070604	1
20	Mh-53/570 shaft right		JS E0070605	1
20	Mh-54/520 shaft right		JS E0070606	1
20	Mh-55/470 shaft right		JS E0070607	1
21	Axial bearing with washer		JS E0066401	2
22	Mh-51/670 inner tube l. + spindle and bearing	with 21	JS E0071503	1
22	Mh-52/620 inner tube l. + spindle and bearing	with 21	JS E0071504	1
22	Mh-53/570 inner tube l. + spindle and bearing	with 21	JS E0071505	1
22	Mh-54/520 inner tube l. + spindle and bearing	with 21	JS E0071506	1
22	Mh-55/470 inner tube l. + spindle and bearing	with 21	JS E0071507	1
23	Mh-51/670 inner tube r. + spindle and bearing	with 21 + 07	JS E0070803	1
23	Mh-52/620 inner tube r. + spindle and bearing	with 21 + 07	JS E0070804	1
24	Mh-51/670 Support leg with chain		JS E0072201	2
24	Mh-52/620 Support leg with chain		JS E0072202	2

Item	Description	Remark	Order No.	per Kit
24	Mh-53/570 Support leg with chain		JS E0072203	2
24	Mh-54/520 Support leg with chain		JS E0072204	2
24	Mh-55/470 Support leg with chain		JS E0072205	2
25	Pin	compl.	JS E0075000	2
26	Angle		JS E010.001	2

Individual components, accessories and repair kits

Item	Description	Remark	Order No.	per Kit	Item	Description	Remark	Order No.	per Kit
03	Connection shaft 1340 mm		JS L01	1	16	Crank 350 mm w. parking hook	with 15, 17 + 18	JS U01	1
03	Connection shaft 1450 mm		JS L02	1	16	Crank 415 mm w. parking hook	with 15, 17 + 18	JS U02	1
03	Connection shaft 1470 mm		JS L03	1	16	Crank 450 mm w. parking hook	with 15, 17 + 18	JS U03	1
03	Connection shaft 1500 mm		JS L04	1	16	Crank 480 mm w. parking hook	with 15, 17 + 18	JS U04	1
03	Connection shaft 1505 mm		JS L05	1	16	Crank 520 mm w. parking hook	with 15, 17 + 18	JS U05	1
03	Connection shaft 1575 mm		JS L06	1	16	Crank 570 mm w. parking hook	with 15, 17 + 18	JS U07	1
03	Connection shaft 1605 mm		JS L07	1	16	Crank 620 mm w. parking hook	with 15, 17 + 18	JS U08	1
03	Connection shaft 1635 mm		JS L08	1					
03	Connection shaft 1700 mm		JS L09	1					
03	Connection shaft 1790 mm		JS L10	1					



Landing gear Modul CH

Heavy Duty

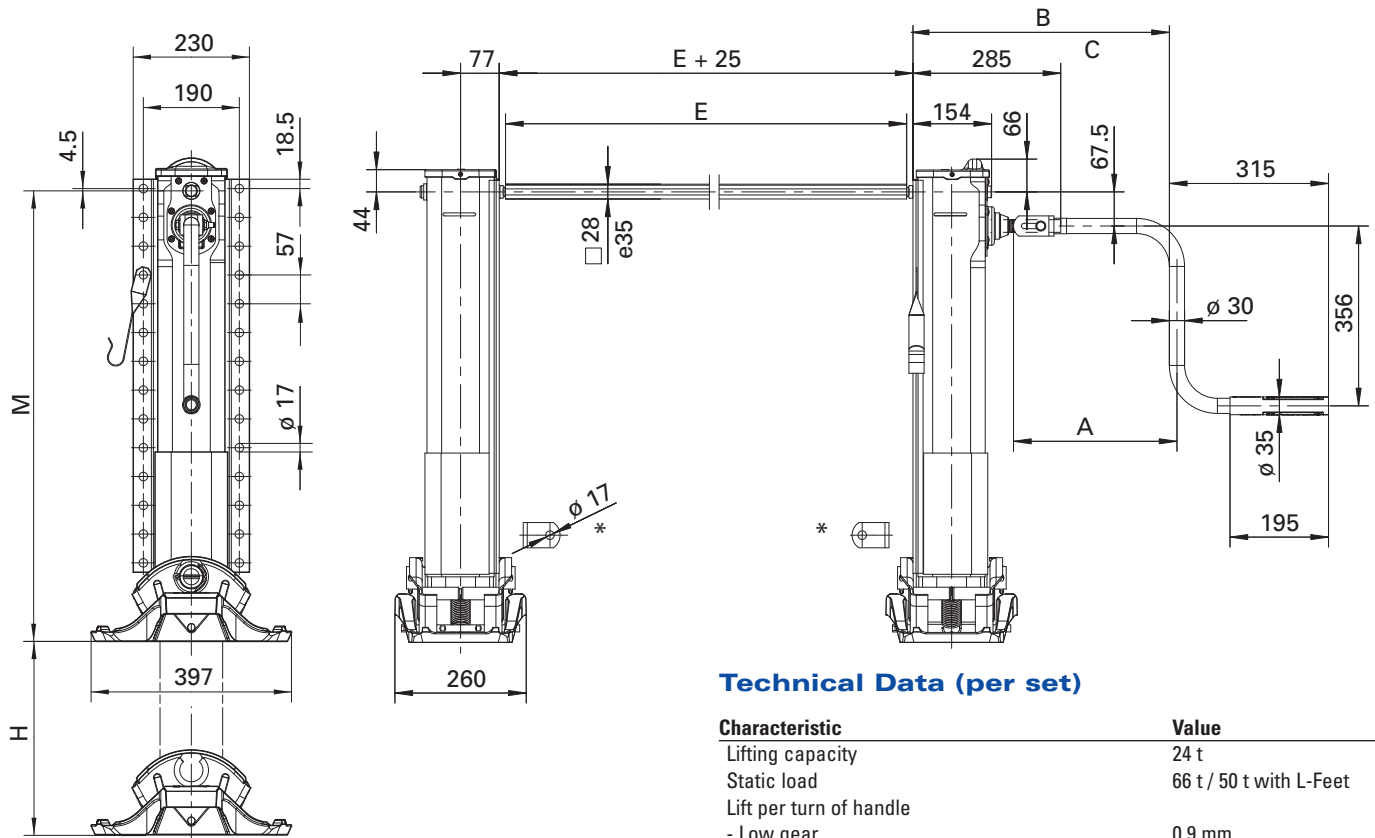
Advantages at a glance

- maximum resistance to bending
- shock resistant
- increased static load (66 t)
- increase in stroke of up to 90 mm

Technical Features

- full length back plate
- reinforcement
- HD bearing
- reinforced inner tube

Technical Specification



Technical Data (per set)

Characteristic	Value
Lifting capacity	24 t
Static load	66 t / 50 t with L-Feet
Lift per turn of handle	
- Low gear	0,9 mm
- High gear	15,0 mm
Crank force at 16 t super imposed load	210 N

* Bracing lugs are supplied loose
Dimensions A, B and C, see page 111.

Selection table / Versions available

Order No.	M (mm)	H (mm)	Back plate	Foot
CH124410000	940	560	full length	S
CH124420000	940	560	full length	A
CH124440000	940	560	full length	T
CH124450000	925	560	full length	L
CH125410000	890	520	full length	S
CH125420000	890	520	full length	A
CH125440000	890	520	full length	T
CH125450000	875	520	full length	L
CH126410000	840	470	full length	S
CH126420000	840	470	full length	A
CH126440000	840	470	full length	T
CH126450000	825	470	full length	L

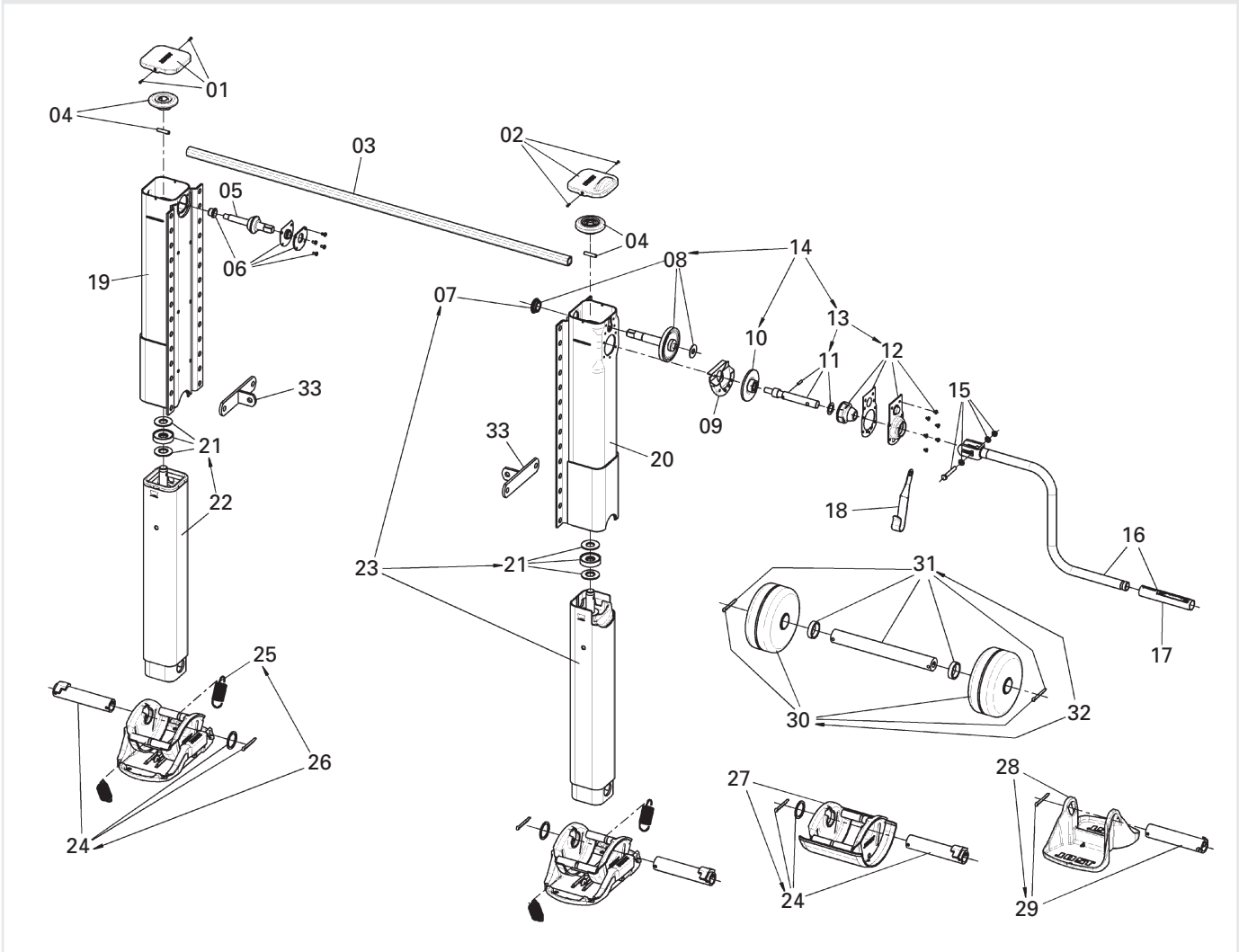
Order No.	M (mm)	H (mm)	Back plate	Foot
CH127410000	790	430	full length	S
CH127420000	790	430	full length	A
CH127440000	790	430	full length	T
CH127450000	775	430	full length	L
CH128410000	740	380	full length	S
CH128420000	740	380	full length	A
CH128440000	740	380	full length	T
CH128450000	725	380	full length	L
CH130410000	690	330	full length	S
CH130420000	690	330	full length	A
CH130440000	690	330	full length	T
CH130450000	675	330	full length	L

Remarks:

Please order cranks and connection shafts separately, see also page 111.

Modul CH

Spare parts



Item	Description	Remark	Order No.	per Kit
01	Cover, left with bolts		JS E0046100	1
02	Cover, right + bolts		JS E0046300	1
03	see individual components			1
04	Bevel gear with bolts		JS E0058600	2
05	Shaft		JS E0001500	1
06	Bearing	compl.	JS E0046200	1
07	Shaft		JS E0001800	1
08	Shaft with bearing		JS E0058700	1
09	Grease tank		JS E0002000	1
10	Gear		JS E0055800	1
11	Crank shaft	compl.	JS E0046500	1
12	Bearing holder	compl.	JS E0058800	1
13	Crankshaft and bearing holder	compl. with 11 + 12	JS E0056600	1
14	Drive	compl. with 08, 10 + 13	JS E0083700	1
15	Bolts, washers, nuts		JS E0043100	1
16	see individual components			1
17	Crank bushing		JS E0042700	1
18	Crank parking hook	for crank 350 mm (JS U01)	JS E0040200	1
18	Crank parking hook	for crank 415-480 mm (JS U02-JS U04)	JS E0040201	1
18	Crank parking hook	for crank 520-620 mm (JS U05-JS U08)	JS E0040202	1
19	* Mh-24/940 shaft left		JS E0062604	1
19	* Mh-25/890 shaft left		JS E0062605	1
19	* Mh-26/840 shaft left		JS E0062606	1
19	* Mh-27/790 shaft left		JS E0062607	1
19	* Mh-28/740 shaft left		JS E0062608	1
19	* Mh-30/690 shaft left		JS E0062609	1
20	* Mh-24/940 shaft right		JS E0062504	1
20	* Mh-25/890 shaft right		JS E0062505	1
20	* Mh-26/840 shaft right		JS E0062506	1
20	* Mh-27/790 shaft right		JS E0062507	1
20	* Mh-28/740 shaft right		JS E0062508	1
20	* Mh-30/690 shaft right		JS E0062509	1
21	Axial bearing with support washer		JS E0066400	2



Item	Description	Remark	Order No.	per Kit
22	* Mh-24/940 inner tube l. + spindle and bearing	with 21	JS E0063004	1
22	* Mh-25/890 inner tube l. + spindle and bearing	with 21	JS E0063005	1
22	* Mh-26/840 inner tube l. + spindle and bearing	with 21	JS E0063006	1
22	* Mh-27/790 inner tube l. + spindle and bearing	with 21	JS E0063007	1
22	* Mh-28/740 inner tube l. + spindle and bearing	with 21	JS E0063008	1
22	* Mh-30/690 inner tube l. + spindle and bearing	with 21	JS E0063009	1
23	* Mh-24/940 inner tube r. + spindle and bearing	with 21 + 07	JS E0062904	1
23	* Mh-25/890 inner tube r. + spindle and bearing	with 21 + 07	JS E0062905	1
23	* Mh-26/840 inner tube r. + spindle and bearing	with 21 + 07	JS E0062906	1
23	* Mh-27/790 inner tube r. + spindle and bearing	with 21 + 07	JS E0062907	1
23	* Mh-28/740 inner tube r. + spindle and bearing	with 21 + 07	JS E0062908	1
23	* Mh-30/690 inner tube r. + spindle and bearing	with 21 + 07	JS E0062909	1
24	Shaft	compl. for A and S foot	JS E0083600	2
25	Spring		JS E0012900	4
26	S foot	compl. with 24 + 25	JS D01CH	2
27	A foot	compl. with 24	JS D02CH	2
28	T foot	compl. with 29	JS D04CH	2
29	Shaft	compl. for T foot	JS E0083601	2
30	Wheels with split pins		JS E0083800	2
31	Shaft	compl. for R foot	JS E0083500	2
32	R foot	compl. with 30 + 31	JS D05CH	2
33	Angle		JS E010.001	2

* with the roller foot version the installation height Mh is reduced by 15 mm

Individual components, accessories and repair kits

Item	Description	Remark	Order No.	per Kit	Item	Description	Remark	Order No.	per Kit
03	Connection shaft 1340 mm		JS L01	1	16	Crank 350 mm w. parking hook	with 15, 17 + 18	JS U01	1
03	Connection shaft 1450 mm		JS L02	1	16	Crank 415 mm w. parking hook	with 15, 17 + 18	JS U02	1
03	Connection shaft 1470 mm		JS L03	1	16	Crank 450 mm w. parking hook	with 15, 17 + 18	JS U03	1
03	Connection shaft 1500 mm		JS L04	1	16	Crank 480 mm w. parking hook	with 15, 17 + 18	JS U04	1
03	Connection shaft 1505 mm		JS L05	1	16	Crank 520 mm w. parking hook	with 15, 17 + 18	JS U05	1
03	Connection shaft 1575 mm		JS L06	1	16	Crank 570 mm w. parking hook	with 15, 17 + 18	JS U07	1
03	Connection shaft 1605 mm		JS L07	1	16	Crank 620 mm w. parking hook	with 15, 17 + 18	JS U08	1
03	Connection shaft 1635 mm		JS L08	1					
03	Connection shaft 1700 mm		JS L09	1					
03	Connection shaft 1790 mm		JS L10	1					

Landing gear Modul CI

Inside chassis mounting

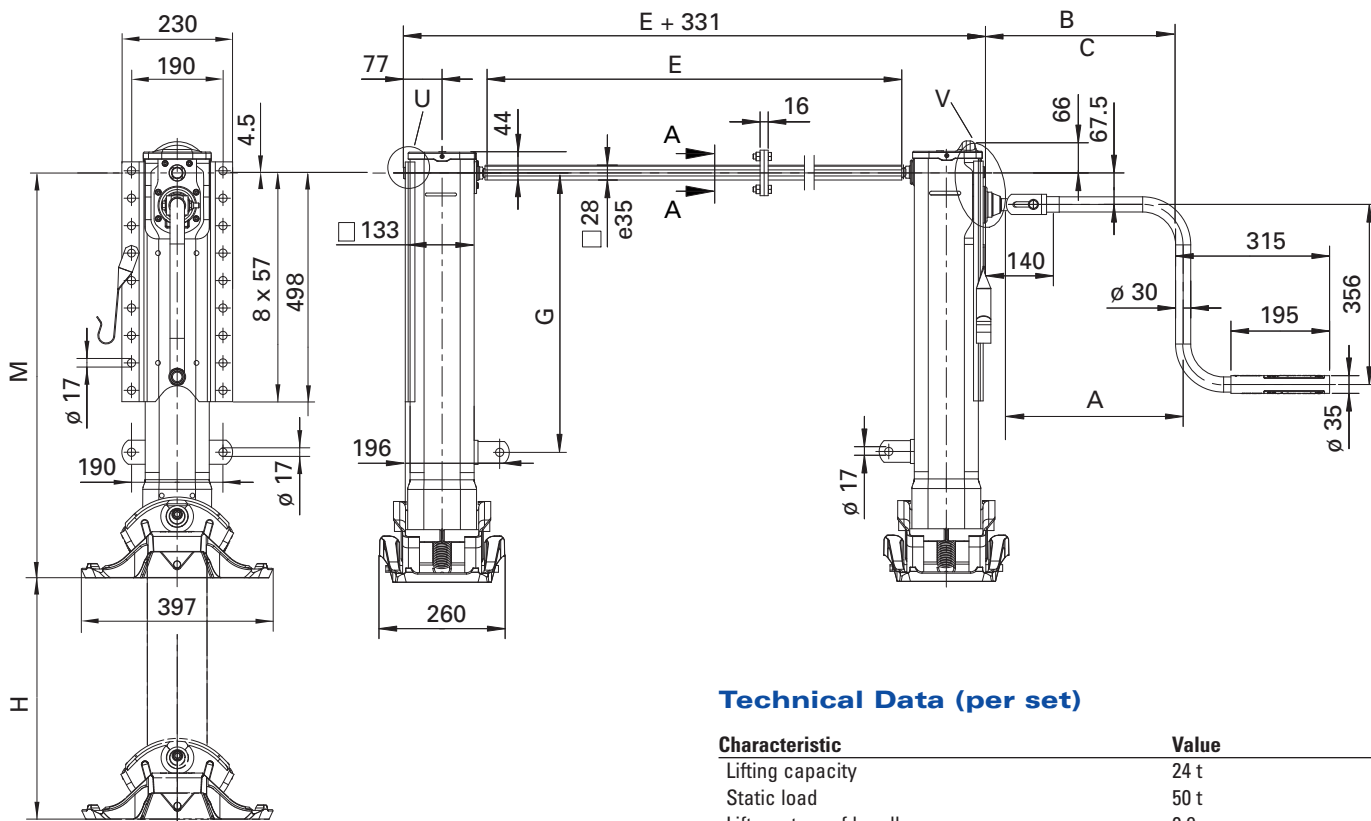
Advantages at a glance

- for semi-trailers with external chassis
- 4 types of ground member

Technical Features

- external back plate
- split cross shaft for easier installation (see special accessories)

Technical Specification



Technical Data (per set)

Characteristic	Value
Lifting capacity	24 t
Static load	50 t
Lift per turn of handle	0,9 mm
- High gear	15,0 mm
Crank force at 16 t super imposed load	210 N

Selection table / Versions available

Order No.	M (mm)	H (mm)	G (mm)	Back plate	Foot
CI101310000	900	560	630	double	S
CI101320000	900	560	630	double	A
CI101340000	900	560	630	double	T
CI101360000	850	560	630	double	TC
CI102310000	850	520	580	double	S
CI102320000	850	520	580	double	A
CI102340000	850	520	580	double	T
CI102360000	800	520	580	double	TC
CI103310000	800	470	530	double	S
CI103320000	800	470	530	double	A

Order No.	M (mm)	H (mm)	G (mm)	Back plate	Foot
CI103340000	800	470	530	double	T
CI103360000	750	470	530	double	TC
CI104310000	750	430	480	double	S
CI104320000	750	430	480	double	A
CI104340000	750	430	480	double	T
CI104360000	700	430	480	double	TC
CI105310000	700	400	430	double	S
CI105320000	700	400	430	double	A
CI105340000	700	400	430	double	T
CI105360000	650	400	430	double	TC

Crank handle

Order No.	A	B (Low gear)	C (High gear)
JS U01	350	381*	400
JS U02	415	446*	465
JS U03	450	481*	500

Remarks:

Please order cranks and connection shafts separately, see also page 111.

* The following applies here: B = A + 31

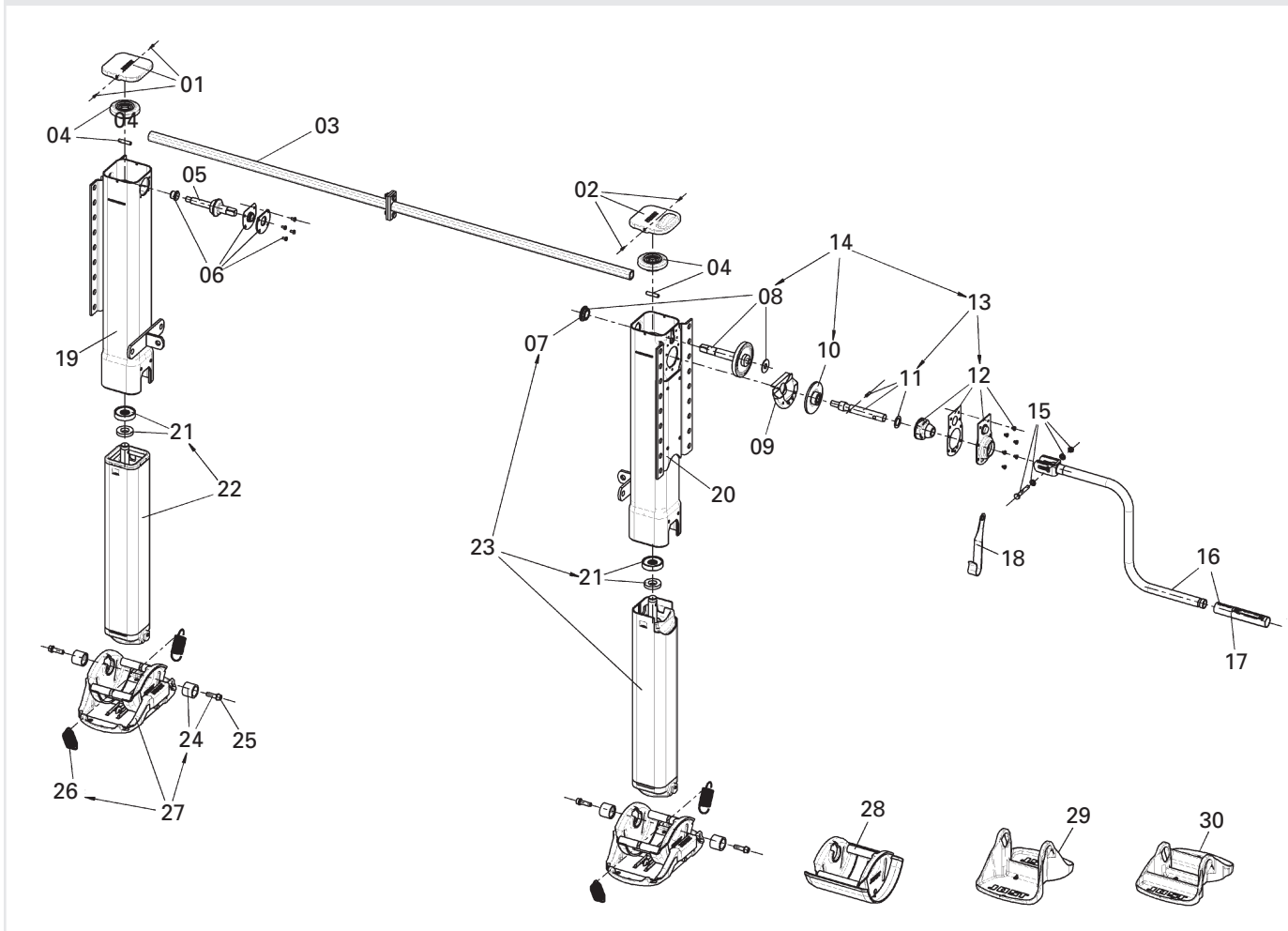
Special Accessories

split connection shaft

Order No.	E (Length of connection shaft)
JS LT20	1840

Modul CI

Spare parts



Item	Description	Remark	Order No.	per Kit
01	Cover, left with bolts		JS E0046100	1
02	Cover, right + bolts		JS E0046300	1
03	See individual components			1
04	Bevel gear with bolts		JS E0058600	2
05	Shaft		JS E0001500	1
06	Bearing	compl.	JS E0046200	1
07	Shaft		JS E0001800	1
08	Shaft with bearing		JS E0058700	1
09	Grease tank		JS E0002000	1
10	Gear		JS E0055800	1
11	Crank shaft	compl.	JS E0046500	1
12	Bearing holder	compl.	JS E0058800	1
13	Crankshaft and bearing holder	compl. with 11 + 12	JS E0056600	1
14	Drive	compl. with 08, 10 + 13	JS E0083700	1
15	Bolts, washers, nuts		JS E0043100	1
16	See individual components			1
17	Crank bushing		JS E0042700	1
18	Crank parking hook	for crank 350 mm (JS U01)	JS E0040200	1
18	Crank parking hook	for crank 415-480 mm (JS U02-JS U04)	JS E0040201	1
18	Crank parking hook	for crank 520-620 mm (JS U05-JS U08)	JS E0040202	1
19	* Mh-01/900 shaft left	Plate A full length	JS E0081501	1
19	* Mh-02/850 shaft left	Plate A full length	JS E0081502	1
19	* Mh-03/800 shaft left	Plate A full length	JS E0081503	1
19	* Mh-04/750 shaft left	Plate A full length	JS E0081504	1
19	* Mh-05/700 shaft left	Plate A full length	JS E0081505	1
20	* Mh-01/900 shaft right	Plate A full length	JS E0081301	1
20	* Mh-02/850 shaft right	Plate A full length	JS E0081302	1
20	* Mh-03/800 shaft right	Plate A full length	JS E0081303	1
20	* Mh-04/750 shaft right	Plate A full length	JS E0081304	1
20	* Mh-05/700 shaft right	Plate A full length	JS E0081305	1
21	Axial bearing with washer		JS E0066401	2
22	* Mh-01/900 inner tube l. + spindle and bearing	with 21	JS E0056401	1
22	* Mh-02/850 inner tube l. + spindle and bearing	with 21	JS E0056402	1
22	* Mh-03/800 inner tube l. + spindle and bearing	with 21	JS E0056403	1
22	* Mh-04/750 inner tube l. + spindle and bearing	with 21	JS E0056404	1
22	* Mh-05/700 inner tube l. + spindle and bearing	with 21	JS E0056405	1

Item	Description	Remark	Order No.	per Kit
23	* Mh-01/900 inner tube r. + spindle and bearing	with 21 + 07	JS E0056201	1
23	* Mh-02/850 inner tube r. + spindle and bearing	with 21 + 07	JS E0056202	1
23	* Mh-03/800 inner tube r. + spindle and bearing	with 21 + 07	JS E0056203	1
23	* Mh-04/750 inner tube r. + spindle and bearing	with 21 + 07	JS E0056204	1
23	* Mh-05/700 inner tube r. + spindle and bearing	with 21 + 07	JS E0056205	1
24	Nut and bolt		JS E0043300	2
25	Bolt		JS E0055300	4
26	Spring		JS E0012900	4
27	S foot	compl. with 24 + 26	JS D01	2
28	A foot	compl. with 24	JS D02	2
29	T foot	compl. with 24	JS D04	2
30	TC foot	compl. with 24	JS D06	2

Individual components, accessories and repair kits

Item	Description	Remark	Order No.	per Kit	Item	Description	Remark	Order No.	per Kit
03	Divided connection shaft 1840 mm		JS LT20	1	16	Crank 480 mm w. parking hook	with 15, 17 + 18	JS U04	1
16	Crank 350 mm w. parking hook	with 15, 17 + 18	JS U01	1	16	Crank 520 mm w. parking hook	with 15, 17 + 18	JS U05	1
16	Crank 415 mm w. parking hook	with 15, 17 + 18	JS U02	1	16	Crank 570 mm w. parking hook	with 15, 17 + 18	JS U07	1
16	Crank 450 mm w. parking hook	with 15, 17 + 18	JS U03	1	16	Crank 620 mm w. parking hook	with 15, 17 + 18	JS U08	1



Landing gear Modul CK

Folding leg with telescopic lift

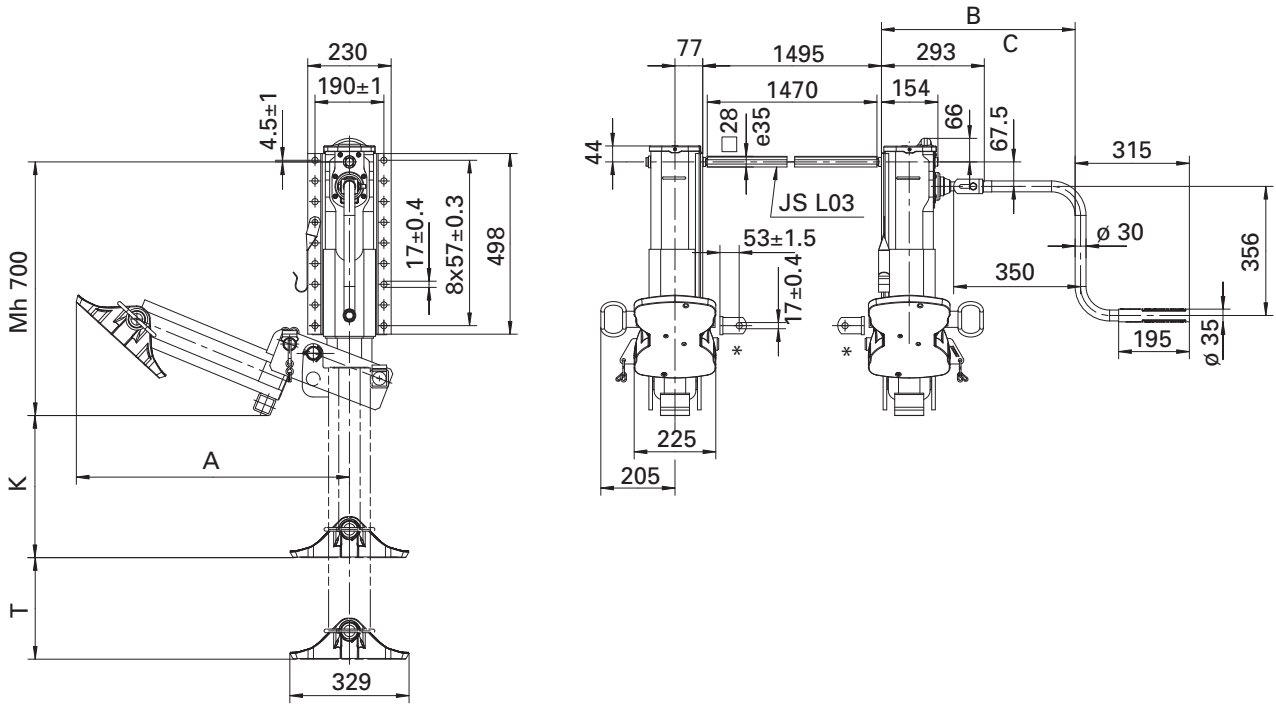
Advantages at a glance

- biggest ground clearance
- increased static load (66 t)

Technical Features

- additional folding lift
- reinforcement
- full length back plate
- HD bearing

Technical Specification



* Bracing lugs are supplied loose
Dimensions A, B and C, see page 111.

Selection table / Versions available

Order No.	K (mm)	T (mm)	total (mm)	A (mm)	Foot
CK105420000	440	280	720	711	A
CK105440000	440	280	720	762	T

Order No.	K (mm)	T (mm)	total (mm)	A (mm)	Foot
CK105460000	390	280	670	754	TC

Technical Data (per set)

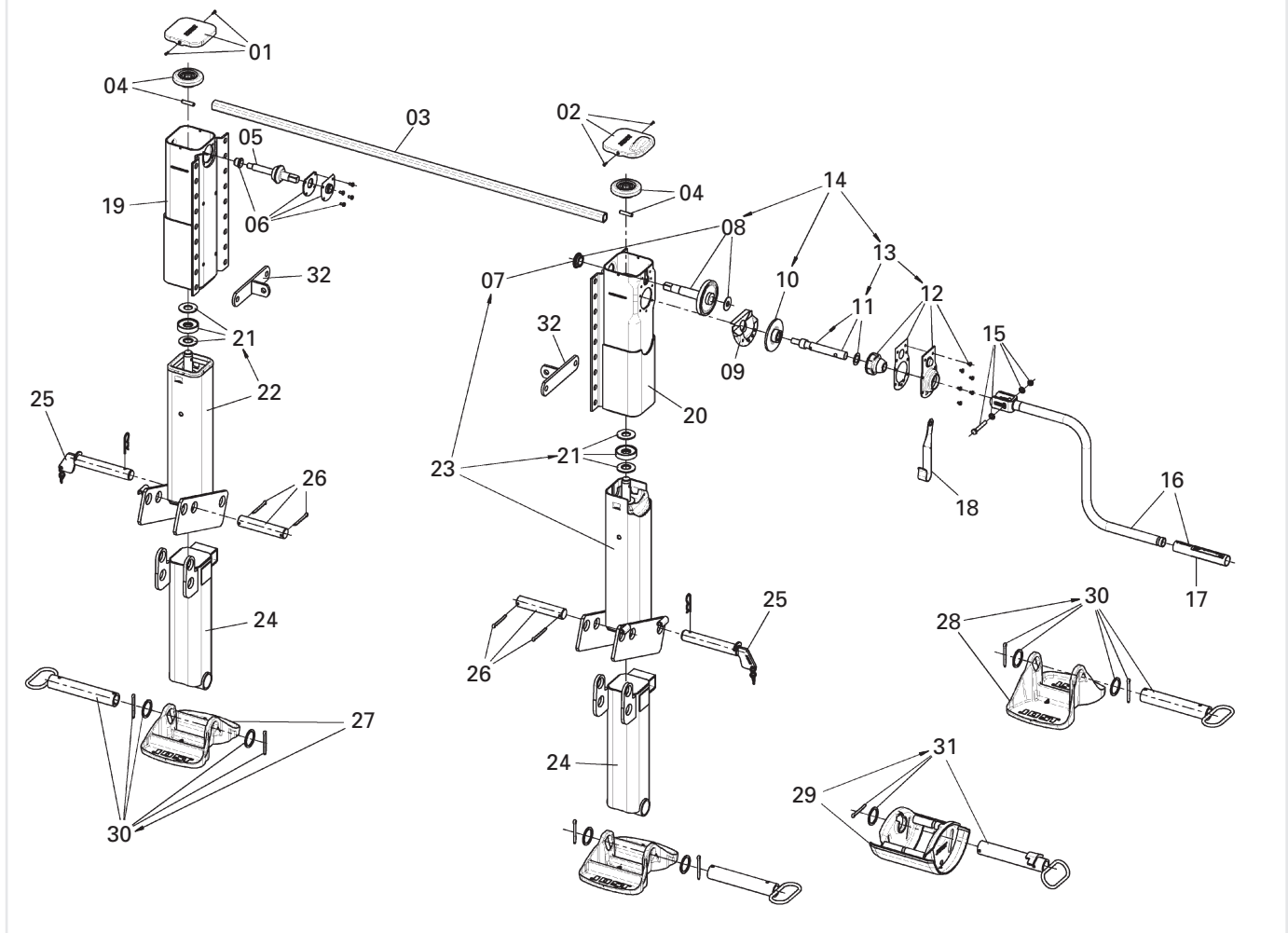
Characteristic	Value
Lifting capacity	24 t
Static load	66 t
Lift per turn of handle	
- Low gear	0,9 mm
- High gear	15,0 mm
Crank force at 16 t super imposed load	210 N

Remarks:

Please order crank handle and connection shaft separately, see page 111.

Modul CK

Spare parts



Item	Description	Remark	Order No.	per Kit
01	Cover, left with bolts		JS E0046100	1
02	Cover, right + bolts		JS E0046300	1
03	see individual components			1
04	Bevel gear with bolts		JS E0058600	2
05	Shaft		JS E0001500	1
06	Bearing	compl.	JS E0046200	1
07	Shaft		JS E0001800	1
08	Shaft with bearing		JS E0058700	1
09	Grease tank		JS E0002000	1
10	Gear		JS E0055800	1
11	Crank shaft	compl.	JS E0046500	1
12	Bearing holder	compl.	JS E0058800	1
13	Crankshaft and bearing holder	compl. with 11 + 12	JS E0056600	1
14	Drive	compl. with 08, 10 + 13	JS E0083700	1
15	Bolts, washers, nuts		JS E0043100	1
16	see individual components			1
17	Crank bushing		JS E0042700	1
18	Crank parking hook	for crank 350 mm (JS U01)	JS E0040200	1
18	Crank parking hook	for crank 415-480 mm (JS U02-JS U04)	JS E0040201	1
18	Crank parking hook	for crank 520-620 mm (JS U05-JS U08)	JS E0040202	1
19	Mh-05/700 shaft left		JS E0089200	1
20	Mh-05/700 shaft right		JS E0088800	1
21	Axial bearing with support washer		JS E0066400	2
22	Mh-05/700 inner tube l. + spindle and bearing	with 21	JS E0089000	1
23	Mh-05/700 inner tube r. + spindle and bearing	with 21 + 07	JS E0088500	1
24	Mh-05/700 Folding pipe		JS E0088400	2
25	Pin	compl.	JS E0090000	2
26	Shaft	compl. for joint	JS E0091800	2
27	TC foot	compl. with 30	JS D06CF	2
28	T foot	compl. with 30	JS D04CF	2
29	A foot	compl. with 31	JS D02CF	2
30	Shaft	compl. for T and TC foot	JS E0085600	2
31	Shaft	compl. for A foot	JS E0071800	2
32	Angle		JS E010.001	2



Individual components, accessories and repair kits

Item	Description	Remark	Order No.	per Kit	Item	Description	Remark	Order No.	per Kit
03	Connection shaft 1340 mm		JS L01	1	16	Crank 350 mm w. parking hook	with 15, 17 + 18	JS U01	1
03	Connection shaft 1450 mm		JS L02	1	16	Crank 415 mm w. parking hook	with 15, 17 + 18	JS U02	1
03	Connection shaft 1470 mm		JS L03	1	16	Crank 450 mm w. parking hook	with 15, 17 + 18	JS U03	1
03	Connection shaft 1500 mm		JS L04	1	16	Crank 480 mm w. parking hook	with 15, 17 + 18	JS U04	1
03	Connection shaft 1505 mm		JS L05	1	16	Crank 520 mm w. parking hook	with 15, 17 + 18	JS U05	1
03	Connection shaft 1575 mm		JS L06	1	16	Crank 570 mm w. parking hook	with 15, 17 + 18	JS U07	1
03	Connection shaft 1605 mm		JS L07	1	16	Crank 620 mm w. parking hook	with 15, 17 + 18	JS U08	1
03	Connection shaft 1635 mm		JS L08	1					
03	Connection shaft 1700 mm		JS L09	1					
03	Connection shaft 1790 mm		JS L10	1					

Landing gear Modul CS

Stabilising leg

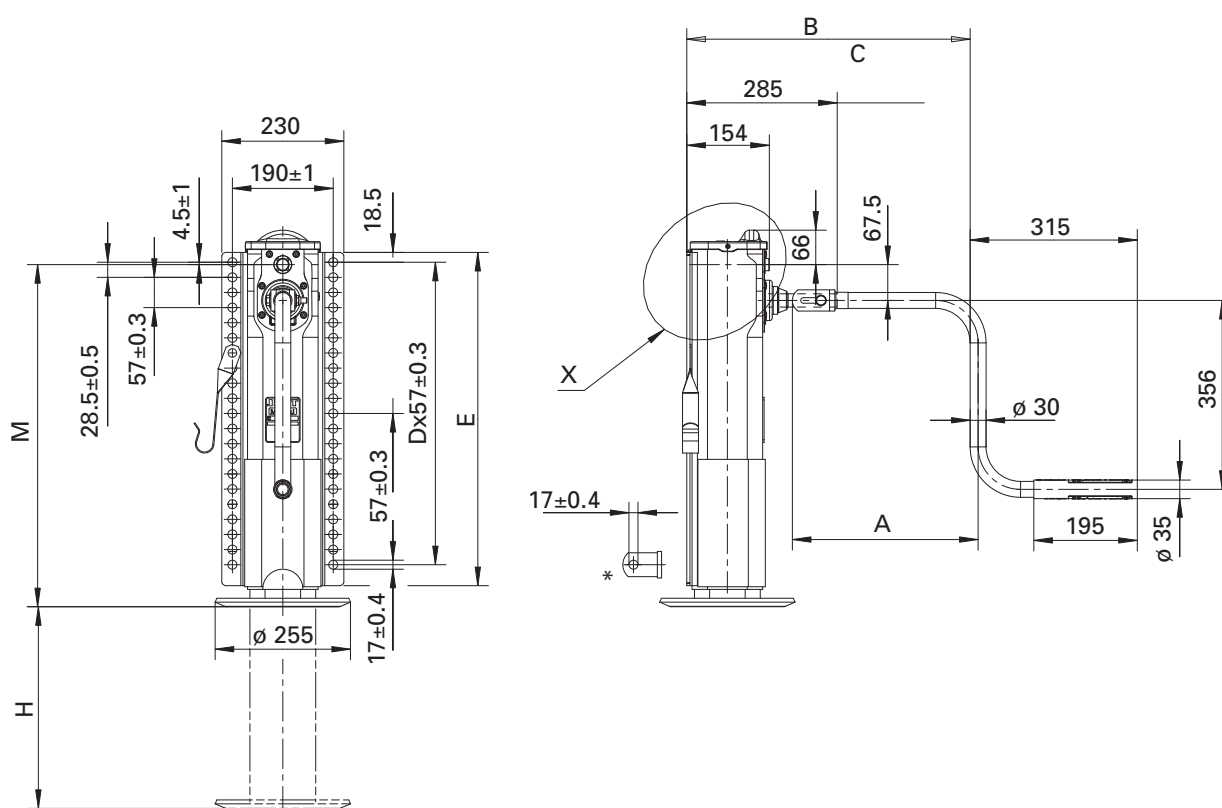
Advantages at a glance

- for liquid and bulk tippers (rear)
- support while unloading
- levelling
- integrated lubricant cartridge – no need to lubricate the spindle
- high degree of installation variability thanks to double bolt hole pattern
- additional spindle nut
 - additional protection against wear and tear
 - minimal risk of accidents
- compact seal between rear bearing cover and back plate

Technical Features

- fully sealed gearbox
- full length back plate
- reinforcement
- HD bearing
- reinforced inner tube
- reinforced rigid foot

Technical Specification



* Bracing lugs are supplied loose

Dimensions A, B and C, see page 111.

Selection table / Versions available

Order No.	M (mm)	H (mm)	D (mm)	E (mm)	Back plate	Foot
CS1044700R	750	470	12	728	full length	T rigid
CS1064700R	650	380	10	628	full length	T rigid
CS1084700R	600	330	9	578	full length	T rigid

Order No.	M (mm)	H (mm)	D (mm)	E (mm)	Back plate	Foot
CS1094700R	550	280	8	528	full length	T rigid
CS1054700R	700	380	11	678	full length	T rigid

Technical Data (per piece / set)

Characteristic	Value
Lifting capacity	12 t / 24 t
Static load	33 t / 66 t
Lift per turn of handle	
- Low gear	0,9 mm
- High gear	15,0 mm
Crank force at 8 t lifting capacity	110 N

Remarks:

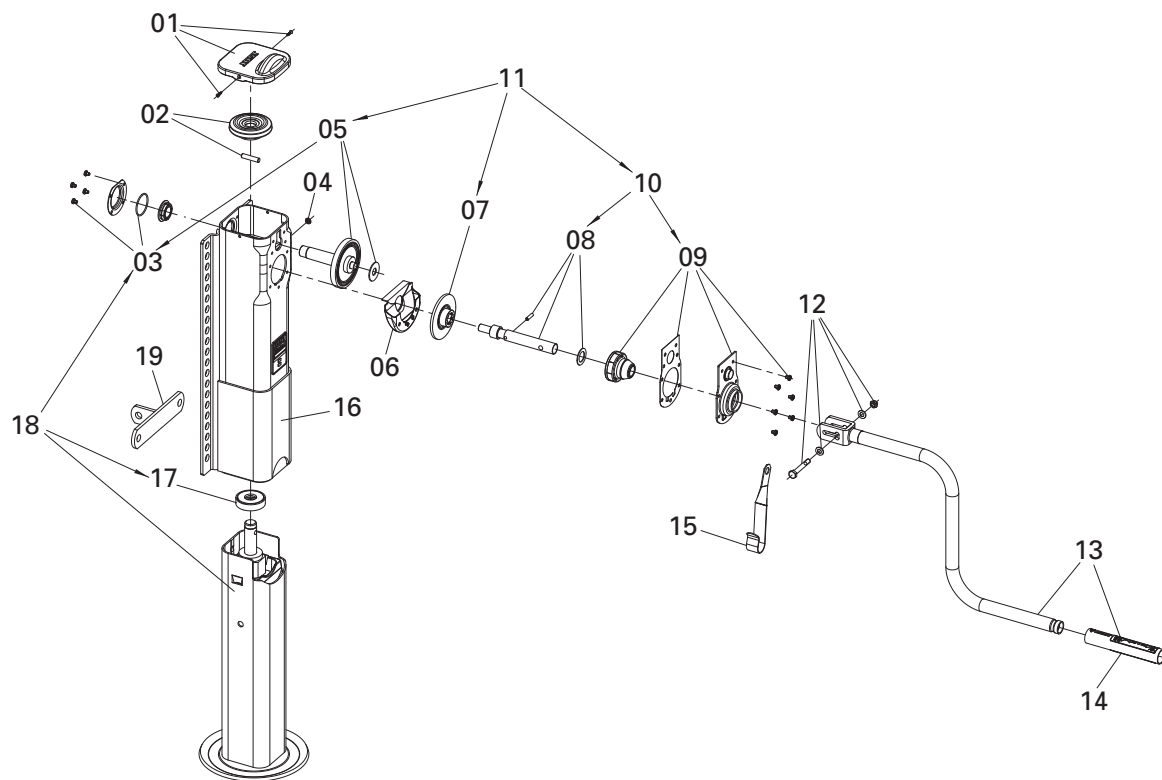
Please order crank handle separately, see page 111.

Two stabilizer legs are required per trailer.

There is no cross shaft.

Modul CS

Spare parts



Item	Description	Remark	Order No.	per Kit
01	Cover, right + bolts		JS E0046300	1
02	Bevel gear with bolts		JS E0058600	1
03	Cover with bearing	compl.	JS E0083900	1
03	Cover with bearing	compl. from series 0072322	JS E0083901	1
04	Grease nipple with protective cap		JS E0084000	1
05	Shaft with bearing		JS E0084100	1
06	Grease tank		JS E0002000	1
07	Gear		JS E0055800	1
08	Crank shaft	compl.	JS E0046500	1
09	Bearing holder	compl.	JS E0058800	1
10	Crankshaft and bearing holder	compl. with 08 + 09	JS E0056600	1
11	Drive	compl. with 05, 07 + 10	JS E0084300	1
12	Bolts, washers, nuts		JS E0043100	1
13	Crank 350 mm w. parking hook	with 12, 14 + 15	JS U01	1
13	Crank 415 mm w. parking hook	with 12, 14 + 15	JS U02	1
13	Crank 450 mm w. parking hook	with 12, 14 + 15	JS U03	1
13	Crank 480 mm w. parking hook	with 12, 14 + 15	JS U04	1
13	Crank 520 mm w. parking hook	with 12, 14 + 15	JS U05	1
13	Crank 570 mm w. parking hook	with 12, 14 + 15	JS U07	1
13	Crank 620 mm w. parking hook	with 12, 14 + 15	JS U08	1
14	Crank bushing		JS E0042700	1
15	Crank parking hook	for crank 350 mm (JS U01)	JS E0040200	1
15	Crank parking hook	for crank 415-480 mm (JS U02-JS U04)	JS E0040201	1
15	Crank parking hook	for crank 520-620 mm (JS U05-JS U08)	JS E0040202	1
16	Mh-04/750 shaft right		JS E0068303	1
16	Mh-05/700 shaft right		JS E0068302	1
16	Mh-06/650 shaft right		JS E0068301	1
16	Mh-08/600 shaft right		JS E0068304	1
16	Mh-09/550 shaft right		JS E0068305	1
17	Axial bearing with support washer		JS E0066400	1
18	Mh-04/750 inner tube r. + spindle and bearing	with 17 + 03 (JS E0083901)	JS E0067003	1
18	Mh-05/700 inner tube r. + spindle and bearing	with 17 + 03 (JS E0083901)	JS E0067002	1
18	Mh-06/650 inner tube r. + spindle and bearing	with 17 + 03 (JS E0083901)	JS E0067001	1
18	Mh-08/600 inner tube r. + spindle and bearing	with 17 + 03 (JS E0083901)	JS E0067004	1
18	Mh-09/550 inner tube r. + spindle and bearing	with 17 + 03 (JS E0083901)	JS E0067005	1
19	Angle		JS E010.001	1

Landing gear Modul CT

Lower connection shaft

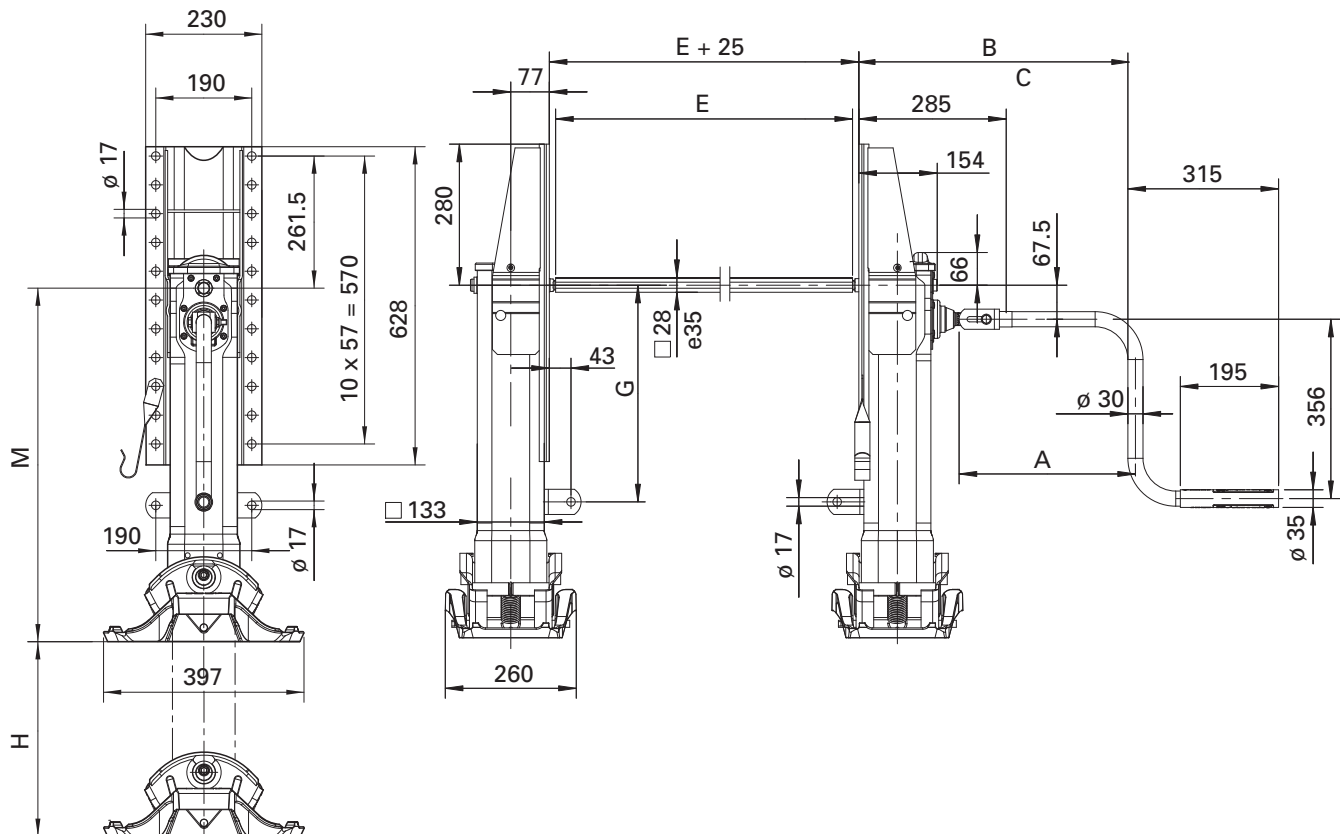
Advantages at a glance

- for liquid and bulk tippers (front)
- 4 types of ground member

Technical Features

- high installation point
- long back plate

Technical Specification



Dimensions A, B and C, see page 111.

Selection table / Versions available

Order No.	M (mm)	H (mm)	G (mm)	Back plate	Foot
CT103010000	800	470	530	special	S
CT103020000	800	470	530	special	A
CT103040000	800	470	530	special	T
CT103060000	750	470	530	special	TC
CT104010000	750	430	480	special	S
CT104020000	750	430	480	special	A

Order No.	M (mm)	H (mm)	G (mm)	Back plate	Foot
CT104040000	750	430	480	special	T
CT104060000	700	430	480	special	TC
CT105010000	700	400	430	special	S
CT105020000	700	400	430	special	A
CT105040000	700	400	430	special	T
CT105060000	650	400	430	special	TC

Technical Data (per set)

Characteristic	Value
Lifting capacity	24 t
Static load	50 t
Lift per turn of handle	
- Low gear	0,9 mm
- High gear	15,0 mm
Crank force at 16 t super imposed load	210 N

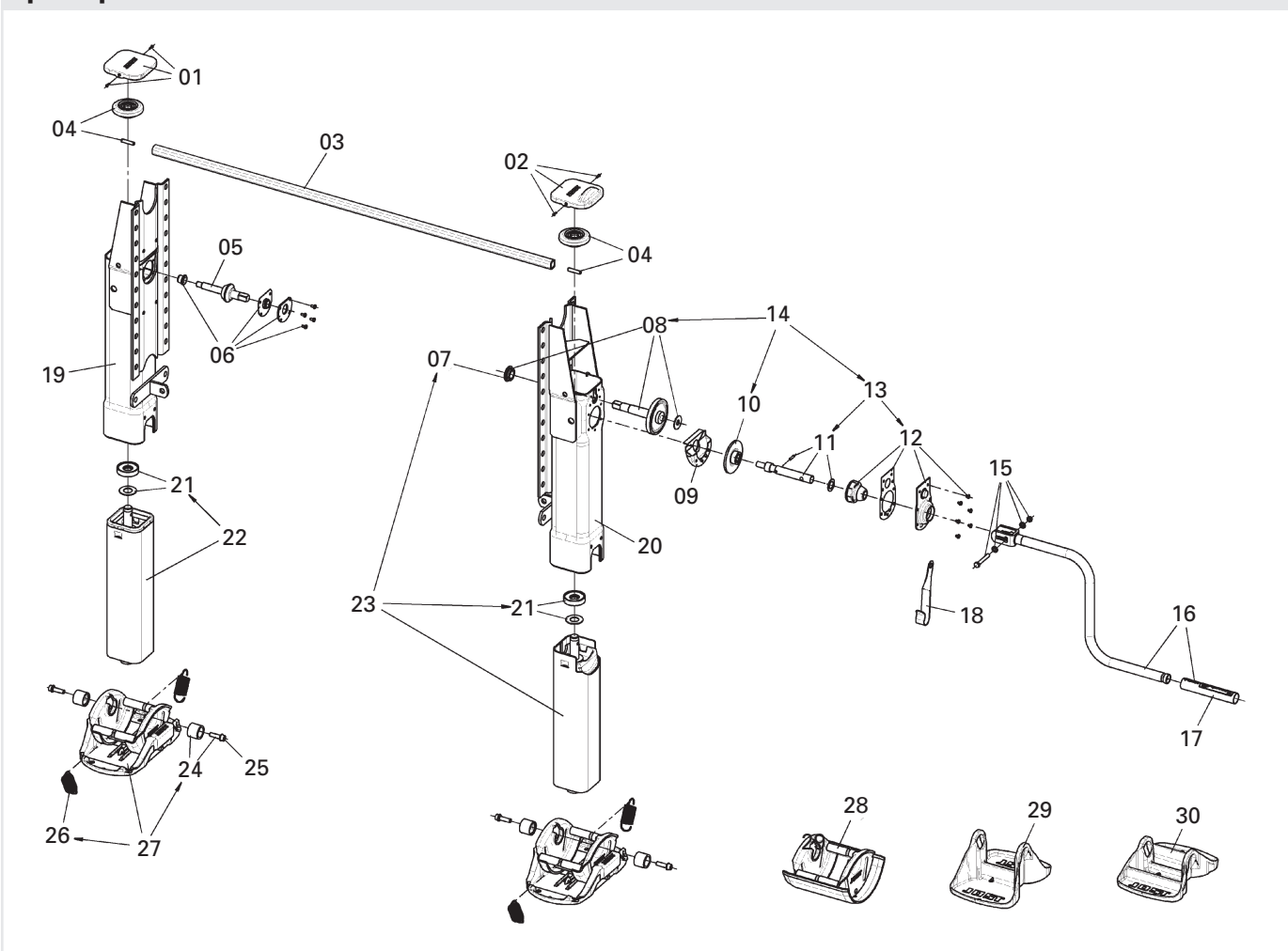
Remarks:

Please order crank handle and connection shaft separately, see page 111.



Modul CT

Spare parts



Item	Description	Remark	Order No.	per Kit
01	Cover, left with bolts		JS E0046100	1
02	Cover, right + bolts		JS E0046300	1
03	see individual components			1
04	Bevel gear with bolts		JS E0058600	2
05	Shaft		JS E0001500	1
06	Bearing	compl.	JS E0046200	1
07	Shaft		JS E0001800	1
08	Shaft with bearing		JS E0058700	1
09	Grease tank		JS E0002000	1
10	Gear		JS E0055800	1
11	Crank shaft	compl.	JS E0046500	1
12	Bearing holder	compl.	JS E0058800	1
13	Crankshaft and bearing holder	compl. with 11 + 12	JS E0056600	1
14	Drive	compl. with 08, 10 + 13	JS E0083700	1
15	Bolts, washers, nuts		JS E0043100	1
16	see individual components			1
17	Crank bushing		JS E0042700	1
18	Crank parking hook	for crank 350 mm (JS U01)	JS E0040200	1
18	Crank parking hook	for crank 415-480 mm (JS U02-JS U04)	JS E0040201	1
18	Crank parking hook	for crank 520-620 mm (JS U05-JS U08)	JS E0040202	1
19	Mh-03/800 shaft left		JS E0075603	1
19	Mh-04/750 shaft left		JS E0075602	1
19	Mh-05/700 shaft left		JS E0075601	1
20	Mh-03/800 shaft right		JS E0075703	1
20	Mh-04/750 shaft right		JS E0075702	1
20	Mh-05/700 shaft right		JS E0075701	1
21	Axial bearing with washer		JS E0066401	2
22	Mh-03/800 inner tube l. + spindle and bearing	with 21	JS E0056403	1
22	Mh-04/750 inner tube l. + spindle and bearing	with 21	JS E0056404	1
22	Mh-05/700 inner tube l. + spindle and bearing	with 21	JS E0056405	1
23	Mh-03/800 inner tube r. + spindle and bearing	with 21 + 07	JS E0056203	1
23	Mh-04/750 inner tube r. + spindle and bearing	with 21 + 07	JS E0056204	1
23	Mh-05/700 inner tube r. + spindle and bearing	with 21 + 07	JS E0056205	1
24	Nut and bolt		JS E0043300	2
25	Bolt		JS E0055300	4

Item	Description	Remark	Order No.	per Kit
26	Spring		JS E0012900	4
27	S foot	compl. with 24 + 26	JS D01	2
28	A foot	compl. with 24	JS D02	2
29	T foot	compl. with 24	JS D04	2
30	TC foot	compl. with 24	JS D06	2

Individual components, accessories and repair kits

Item	Description	Remark	Order No.	per Kit	Item	Description	Remark	Order No.	per Kit
03	Connection shaft 1340 mm		JS L01	1	16	Crank 350 mm w. parking hook	with 15, 17 + 18	JS U01	1
03	Connection shaft 1450 mm		JS L02	1	16	Crank 415 mm w. parking hook	with 15, 17 + 18	JS U02	1
03	Connection shaft 1470 mm		JS L03	1	16	Crank 450 mm w. parking hook	with 15, 17 + 18	JS U03	1
03	Connection shaft 1500 mm		JS L04	1	16	Crank 480 mm w. parking hook	with 15, 17 + 18	JS U04	1
03	Connection shaft 1505 mm		JS L05	1	16	Crank 520 mm w. parking hook	with 15, 17 + 18	JS U05	1
03	Connection shaft 1575 mm		JS L06	1	16	Crank 570 mm w. parking hook	with 15, 17 + 18	JS U07	1
03	Connection shaft 1605 mm		JS L07	1	16	Crank 620 mm w. parking hook	with 15, 17 + 18	JS U08	1
03	Connection shaft 1635 mm		JS L08	1					
03	Connection shaft 1700 mm		JS L09	1					
03	Connection shaft 1790 mm		JS L10	1					



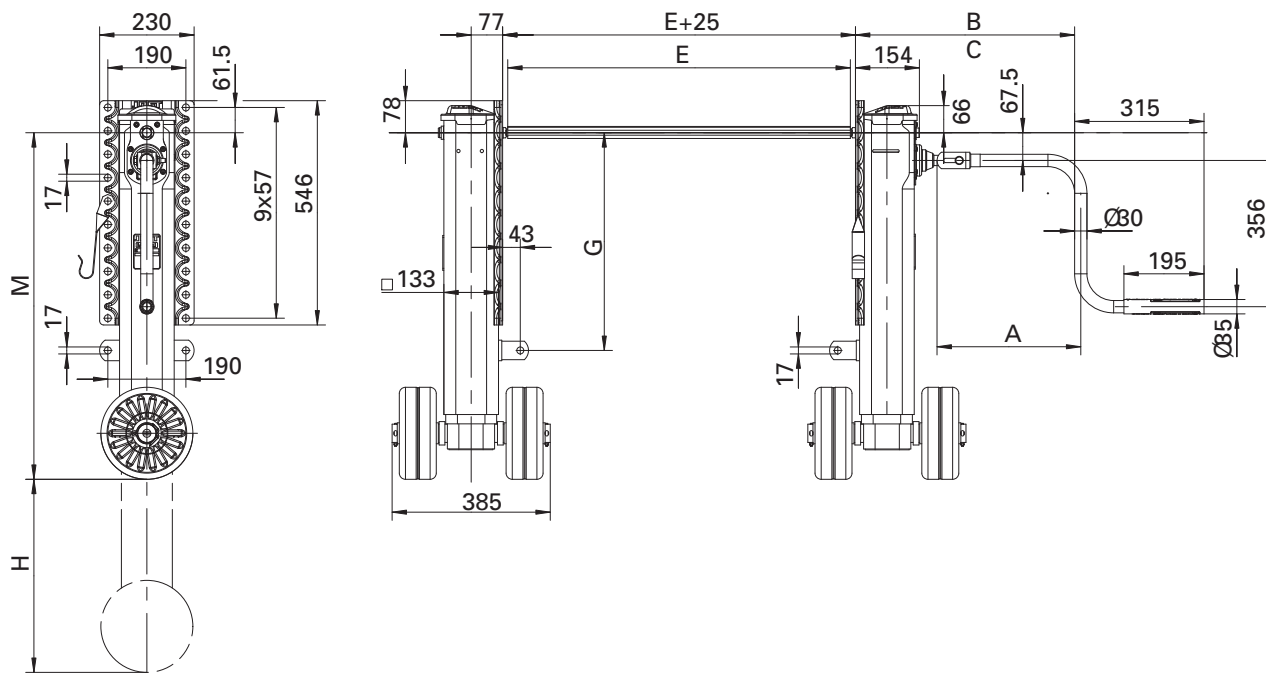
Landing gear Modul CW

Roller

Advantages at a glance

- weight-optimised
- especially robust

Technical Specification



Selection table / Versions available

Order No.	M (mm)	H (mm)	Dimension A
CW161330000	945	560	630
CW162330000	895	520	580
CW163330000	845	470	530
CW164330000	795	430	
CW165330000	745	400	
CW166330000	695	350	

Technical Data (per set)

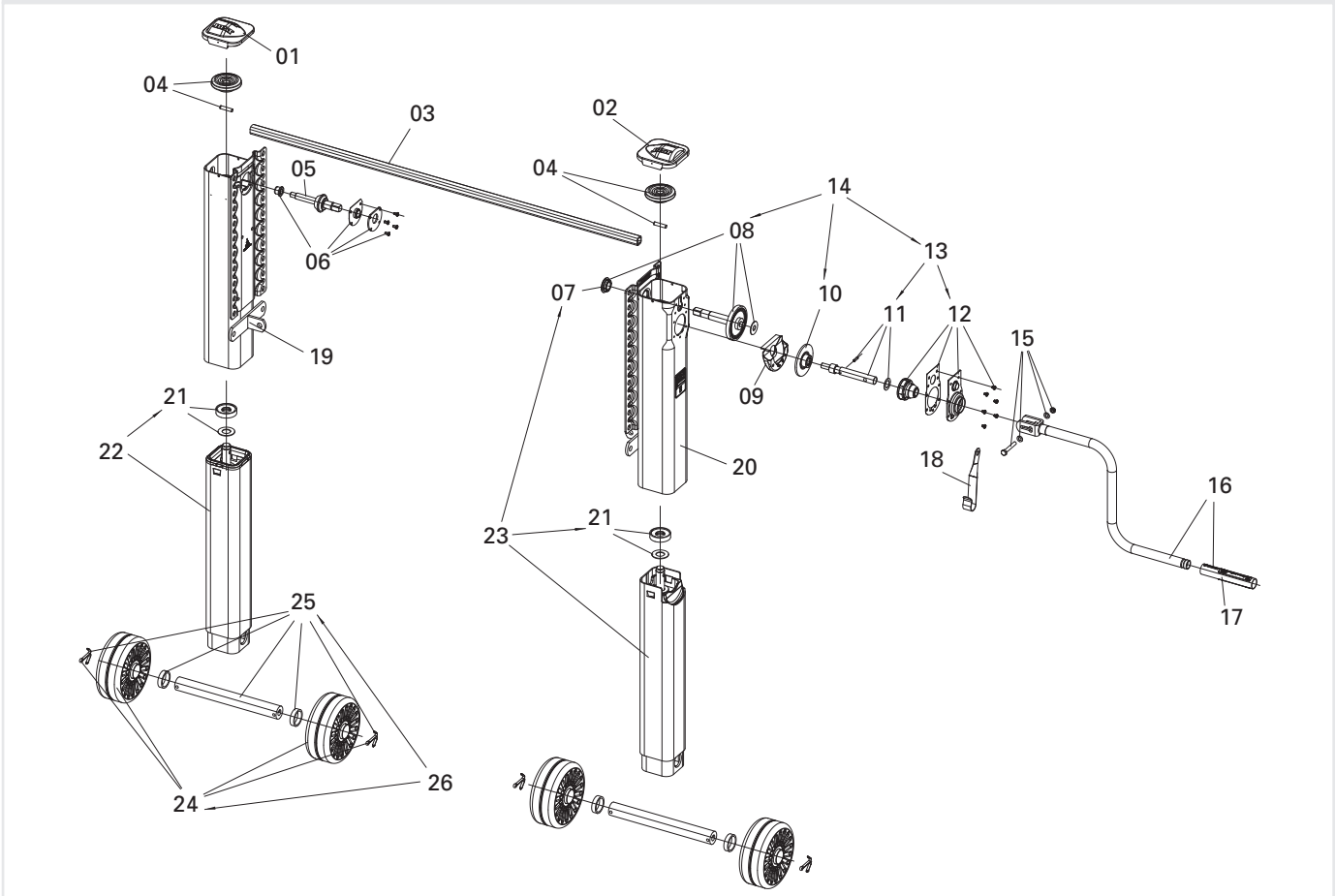
Characteristic	Value
Lifting capacity	24 t
Static load	36 t
Lift per turn of handle	
- Low gear	0,9 mm
- High gear	15,0 mm
Crank force at 16 t super imposed load	210 N

Remarks:

Please order crank handle and connection shaft separately, see page 111.

Modul CW

Spare parts



Item	Description	Remark	Order No.	per Kit
01	Cover, left with bolts		JS E0046100	1
02	Cover with bolts		JS E0046300	1
03	See individual components			1
04	Bevel gear with bolts		JS E0058600	2
05	Shaft		JS E0001500	1
06	Bearing	compl.	JS E0046200	1
07	Shaft		JS E0001800	1
08	Shaft with bearing		JS E0058700	1
09	Grease tank		JS E0002000	1
10	Gear		JS E0055800	1
11	Crank shaft	compl.	JS E0046500	1
12	Bearing holder	compl.	JS E0058800	1
13	Crankshaft and bearing holder, compl.	with 11 + 12	JS E0056600	1
14	Drive, compl.	with 08, 10 + 13	JS E0083700	1
15	Bolts, washers, nuts		JS E0043100	1
16	See individual components			1
17	Crank bushing		JS E0042700	1
18	Crank parking hook for crank 350 mm	for crank 350 mm (JS U01)	JS E0040200	1
18	Crank parking hook for crank 415-480 mm	for crank 415-480 mm (JS U02-JS U04)	JS E0040201	1
18	Crank parking hook for crank 520-620 mm	for crank 520-620 mm (JS U05-JS U08)	JS E0040202	1
19	Mh-01/945 shaft left + Brace lug	Double plate	JS E0100731	1
19	Mh-02/895 shaft left + Brace lug	Double plate	JS E0100732	1
19	Mh-03/845 shaft left + Brace lug	Double plate	JS E0100733	1
19	Mh-04/795 shaft left	Double plate	JS E0100734	1
19	Mh-05/745 shaft left	Double plate	JS E0100735	1
19	Mh-06/695 shaft left	Double plate	JS E0100736	1
20	Mh-01/945 shaft right + Brace lug	Double plate	JS E0100631	1
20	Mh-02/895 shaft right + Brace lug	Double plate	JS E0100632	1
20	Mh-03/845 shaft right + Brace lug	Double plate	JS E0100633	1
20	Mh-04/795 shaft right	Double plate	JS E0100634	1
20	Mh-05/745 shaft right	Double plate	JS E0100635	1
20	Mh-06/695 shaft right	Double plate	JS E0100636	1
21	Axial bearing with washer		JS E0066401	2
22	Mh-01/945 inner tube l. + spindle	with 21	JS E0100501	1
22	Mh-02/895 inner tube l. + spindle	with 21	JS E0100502	1
22	Mh-03/845 inner tube l. + spindle	with 21	JS E0100503	1
22	Mh-04/795 inner tube l. + spindle	with 21	JS E0100504	1
22	Mh-05/745 inner tube l. + spindle	with 21	JS E0100505	1



Landing gear – Modul

Item	Description	Remark	Order No.	per Kit
22	Mh-06/695 inner tube l. + spindle	with 21	JS E0100506	1
23	Mh-01/945 inner tube r. + spindle	with 21 + 07	JS E0100301	1
23	Mh-02/895 inner tube r. + spindle	with 21 + 07	JS E0100302	1
23	Mh-03/845 inner tube r. + spindle	with 21 + 07	JS E0100303	1
23	Mh-04/795 inner tube r. + spindle	with 21 + 07	JS E0100304	1
23	Mh-05/745 inner tube r. + spindle	with 21 + 07	JS E0100305	1
23	Mh-06/695 inner tube r. + spindle	with 21 + 07	JS E0100306	1
24	Wheels with split pins **		JS E0062200	2
25	Shaft compl. for R foot		JS E0083500	2
26	R foot compl.	with 24 + 25	JS D03CW	2

Individual components, accessories and repair kits

Item	Description	Remark	Order No.	per Kit	Item	Description	Remark	Order No.	per Kit
03	Connection shaft 1340 mm		JS L01	1	16	Crank 350 mm w. parking hook	with 15, 17 + 18	JS U01	1
03	Connection shaft 1450 mm		JS L02	1	16	Crank 415 mm w. parking hook	with 15, 17 + 18	JS U02	1
03	Connection shaft 1470 mm		JS L03	1	16	Crank 450 mm w. parking hook	with 15, 17 + 18	JS U03	1
03	Connection shaft 1500 mm		JS L04	1	16	Crank 480 mm w. parking hook	with 15, 17 + 18	JS U04	1
03	Connection shaft 1505 mm		JS L05	1	16	Crank 520 mm w. parking hook	with 15, 17 + 18	JS U05	1
03	Connection shaft 1575 mm		JS L06	1	16	Crank 570 mm w. parking hook	with 15, 17 + 18	JS U07	1
03	Connection shaft 1605 mm		JS L07	1	16	Crank 620 mm w. parking hook	with 15, 17 + 18	JS U08	1
03	Connection shaft 1635 mm		JS L08	1					
03	Connection shaft 1700 mm		JS L09	1					
03	Connection shaft 1790 mm		JS L10	1					

Landing gear Modul CY

Ferry

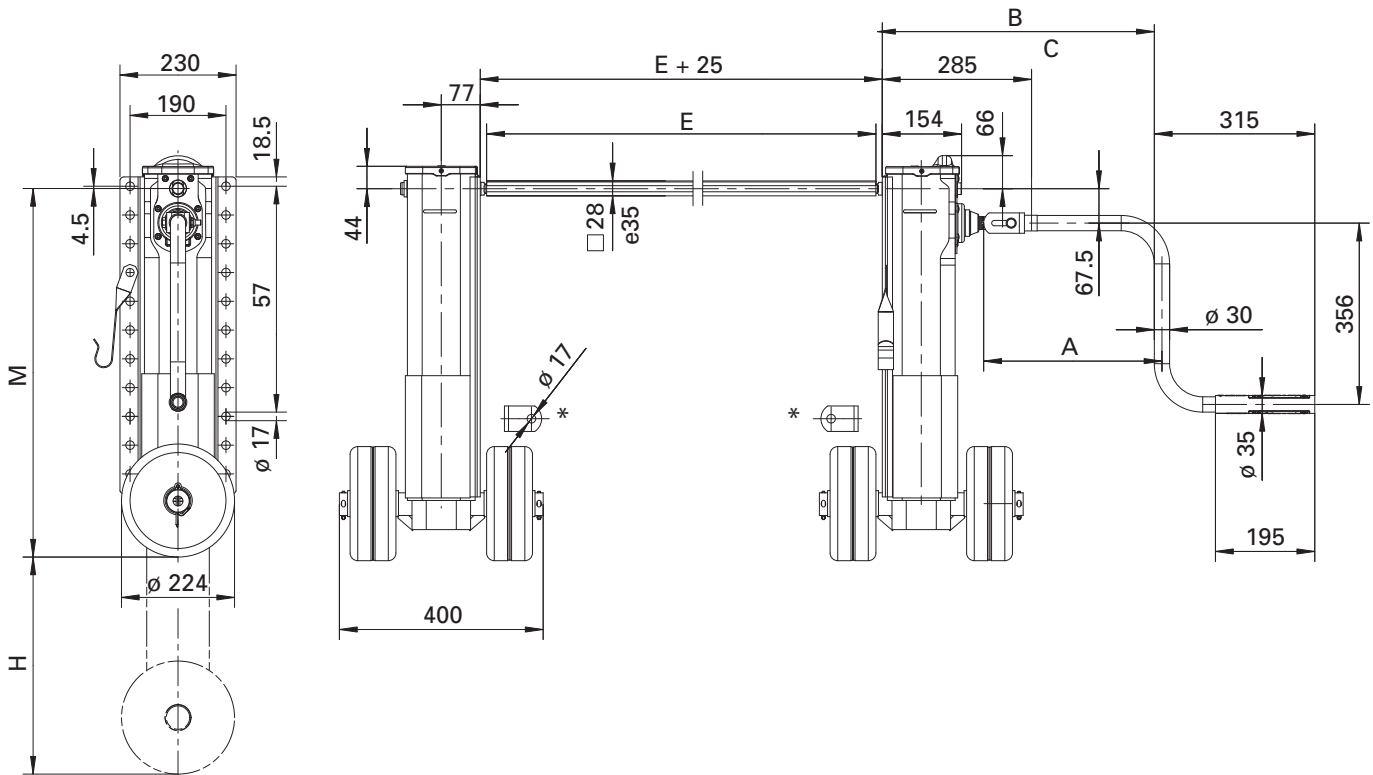
Advantages at a glance

- for ro-ro traffic
- compact installation
- large stroke combined with low mounting height
- highest resistance to bending
- shock resistant

Technical Features

- full length back plate
- reinforcement
- HD bearing
- reinforced inner tube
- reinforced wheels

Technical Specification



* Bracing lugs are supplied loose
Dimensions A, B and C, see page 111.

Selection table / Versions available

Order No.	M (mm)	H (mm)	Back plate	Foot
CY129450000	730	430	full length	L
CY106450000	650	350	full length	L

Technical Data (per set)

Characteristic	Value
Lifting capacity	24 t
Static load	50 t
Lift per turn of handle	
- Low gear	0,9 mm
- High gear	15,0 mm
Crank force at 16 t super imposed load	210 N

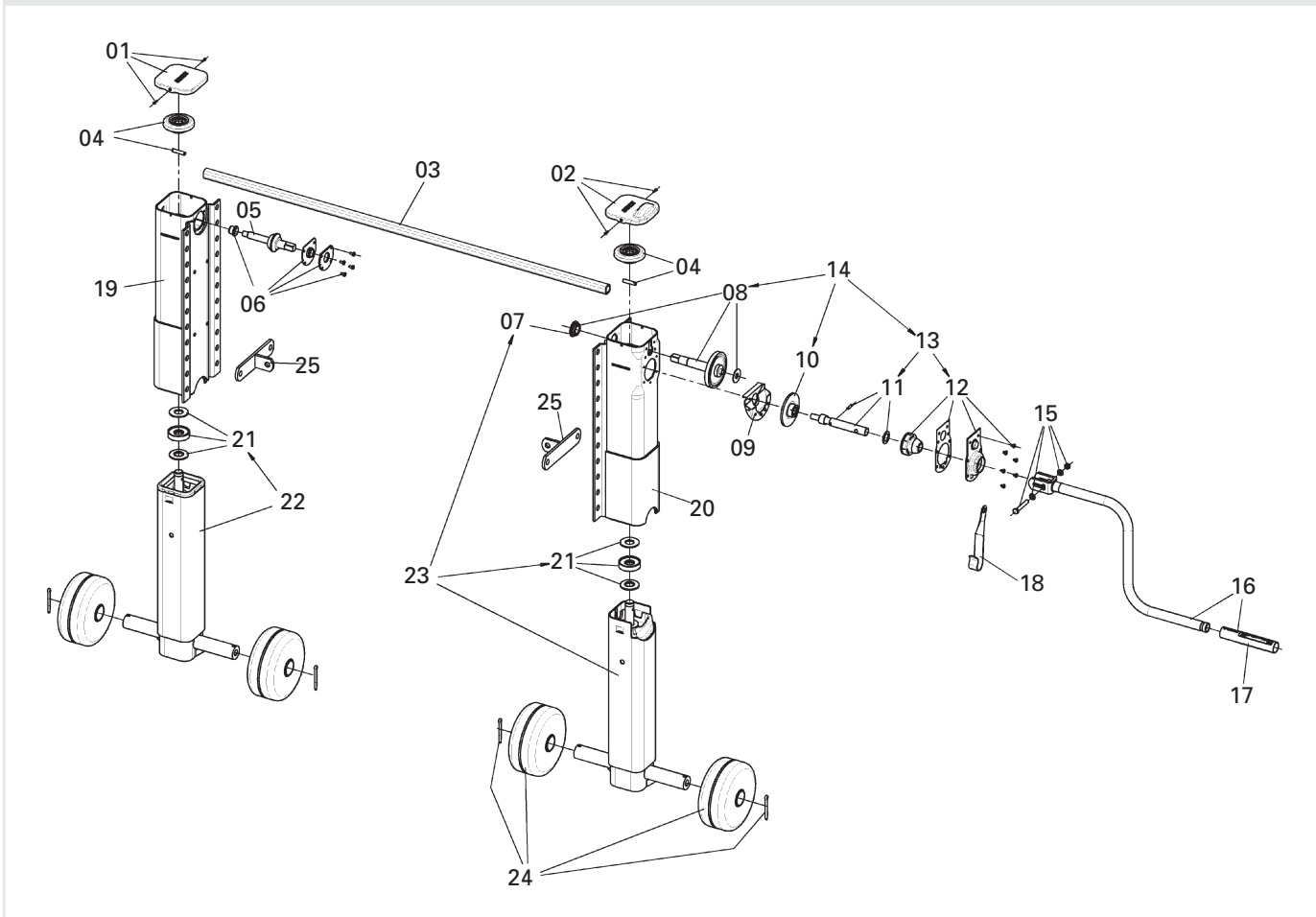
Remarks:

Please order crank handle and connection shaft separately, see page 111.



Modul CY

Spare parts



Item	Description	Remark	Order No.	per Kit
01	Cover, left with bolts		JS E0046100	1
02	Cover, right + bolts		JS E0046300	1
03	see individual components			1
04	Bevel gear with bolts		JS E0058600	2
05	Shaft		JS E0001500	1
06	Bearing	compl.	JS E0046200	1
07	Shaft		JS E0001800	1
08	Shaft with bearing		JS E0058700	1
09	Grease tank		JS E0002000	1
10	Gear		JS E0055800	1
11	Crank shaft	compl.	JS E0046500	1
12	Bearing holder	compl.	JS E0058800	1
13	Crankshaft and bearing holder	compl. with 11 + 12	JS E0056600	1
14	Drive	compl. with 08, 10 + 13	JS E0083700	1
15	Bolts, washers, nuts		JS E0043100	1
16	see individual components			1
17	Crank bushing		JS E0042700	1
18	Crank parking hook	for crank 350 mm (JS U01)	JS E0040200	1
18	Crank parking hook	for crank 415-480 mm (JS U02-JS U04)	JS E0040201	1
18	Crank parking hook	for crank 520-620 mm (JS U05-JS U08)	JS E0040202	1
19	Mh-29/730 shaft left		JS E0062608	1
19	Mh-06/650 shaft left		JS E0062611	1
20	Mh-29/730 shaft right		JS E0062508	1
20	Mh-06/650 shaft right		JS E0062511	1
21	Axial bearing with support washer		JS E0066400	2
22	Mh-29/730 inner tube l., with spindle, bearings and roller foot mounting	with 21	JS E0065101	1
22	Mh-06/650 inner tube l., with spindle, bearings and roller foot mounting	with 21	JS E0065102	1
23	Mh-29/730 inner tube r., with spindle, bearings and roller foot mounting	with 21 + 07	JS E0065001	1
23	Mh-06/650 inner tube r., with spindle, bearings and roller foot mounting	with 21 + 07	JS E0065002	1
24	Wheels with split pins		JS E0083800	2
25	Angle		JS E010.001	2

Individual components, accessories and repair kits

Item	Description	Remark	Order No.	per Kit	Item	Description	Remark	Order No.	per Kit
03	Connection shaft 1340 mm		JS L01	1	16	Crank 350 mm w. parking hook	with 15, 17 + 18	JS U01	1
03	Connection shaft 1450 mm		JS L02	1	16	Crank 415 mm w. parking hook	with 15, 17 + 18	JS U02	1
03	Connection shaft 1470 mm		JS L03	1	16	Crank 450 mm w. parking hook	with 15, 17 + 18	JS U03	1
03	Connection shaft 1500 mm		JS L04	1	16	Crank 480 mm w. parking hook	with 15, 17 + 18	JS U04	1
03	Connection shaft 1505 mm		JS L05	1	16	Crank 520 mm w. parking hook	with 15, 17 + 18	JS U05	1
03	Connection shaft 1575 mm		JS L06	1	16	Crank 570 mm w. parking hook	with 15, 17 + 18	JS U07	1
03	Connection shaft 1605 mm		JS L07	1	16	Crank 620 mm w. parking hook	with 15, 17 + 18	JS U08	1
03	Connection shaft 1635 mm		JS L08	1					
03	Connection shaft 1700 mm		JS L09	1					
03	Connection shaft 1790 mm		JS L10	1					

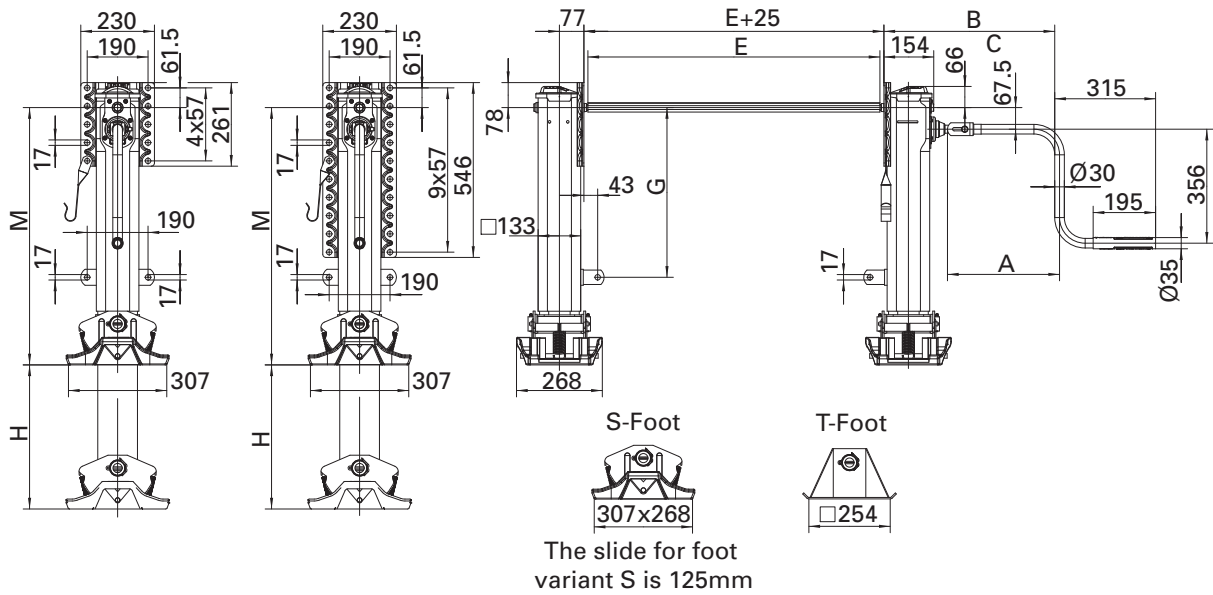


Landing gear L500

Advantages at a glance

- patented drive on the inside
- landing gear that can be used universally
- Accessories and spare parts are usually compatible with the Modul B series
- all three plate positions are available
- all commonly-used mounting heights
- S- and T foot

Technical Specification



Selection table / Versions available

S-Foot

Order No.	M (mm)	H (mm)	A (mm)	Back plate
L500S700-1	700	350	430	upper
L500S700-2*	700	350	-	lower
L500S700-3*	700	350	-	full length
L500S750-1	750	400	480	upper
L500S750-2*	750	400	-	lower
L500S750-3*	750	400	-	full length
L500S800-1	800	450	530	upper
L500S800-2*	800	450	-	lower
L500S800-3	800	450	530	full length
L500S850-1	850	500	580	upper
L500S850-2	850	500	580	lower
L500S850-3	850	500	580	full length

T-Foot

Order No.	M (mm)	H (mm)	A (mm)	Back plate
L500T690-1	690	350	430	upper
L500T690-2*	690	350	-	lower
L500T690-3*	690	350	-	full length
L500T740-1	740	400	480	upper
L500T740-2*	740	400	-	lower
L500T740-3*	740	400	-	full length
L500T790-1	790	450	530	upper
L500T790-2	790	450	530	lower
L500T790-3	790	450	530	full length
L500T840-1	840	500	580	upper
L500T840-2	840	500	580	lower
L500T840-3	840	500	580	full length

* there is no screw-on bracket available.

Technical Data (per set)

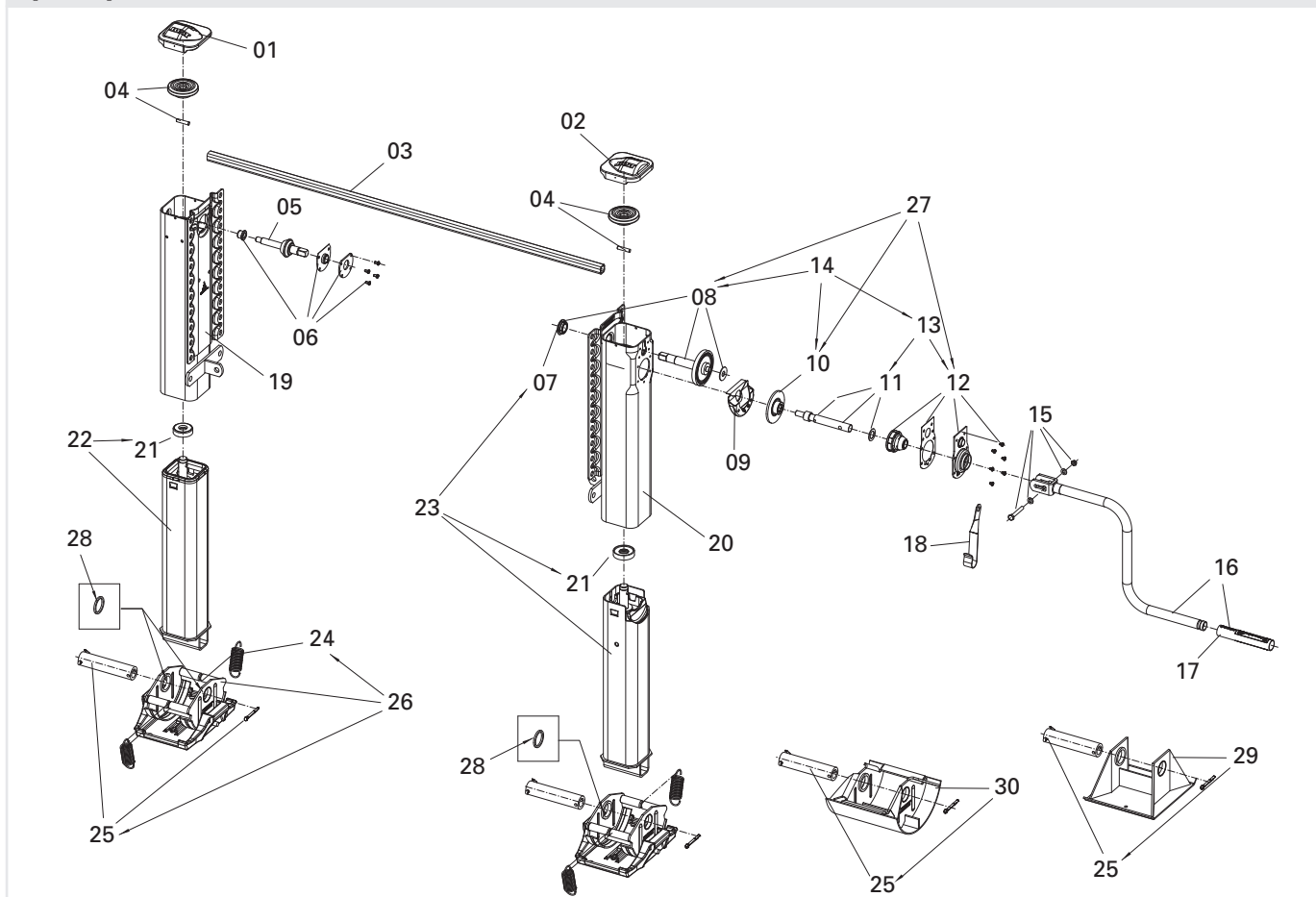
Characteristic	Value
Lifting capacity	24 t
Static load	50 t
Lift per turn of handle	
- Low gear	0,9 mm
- High gear	15,0 mm
Crank force at 16 t super imposed load	210 N

Remarks:

Please order cranks and connection shafts separately (same as in the Ordering System Module); see page 111.

L500

Spare parts



Item	Description	Remark	Order No.	per Kit
01	Cover, left with bolts		JS E0046100	1
02	Cover, right with bolts		JS E0046300	1
03	See individual components			1
04	Bevel gear with boltsn		JS E0058600	2
05	Shaft		JS E0001500	1
06	Bearing compl.		JS E0046200	1
07	Bearing		JS E0001800	1
08	Shaft with bearing		JS E0058700	1
09	Grease tank		JS E0002000	1
10	Gear		JS E0055800	1
11	Crank shaft compl.		JS E0046500	1
12	Bearing holder compl.		JS E0058800	1
13	Crank shaft and bearing holder compl.	Pos. 11 and 12	JS E0056600	1
14	Drive compl.	Pos. 08, 10 and 13	JS E0083700	1
15	Bolts with washers and nuts		JS E0043100	1
16	See individual components			1
17	Crank bushing		JS E0042700	1
18	Crank parking hook for crank 350mm	(Crank kit JS U01)	JS E0040200	1
	Crank parking hook for crank 415-480mm	(Crank kit JS U02 - JS U04)	JS E0040201	1
	Crank parking hook for crank 520mm	(Crank kit JS U05)	JS E0040202	1
19	*Mh-02/850 shaft left	Plate A, top	JS E0080302	1
	*Mh-03/800 shaft left	Plate A, top	JS E0080301	1
	*Mh-04/750 shaft left	Plate A, top	JS E0080304	1
	*Mh-05/700 shaft left	Plate A, top	JS E0080305	1
	*Mh-02/850 shaft left with brace lug	Plate A, bottom	JS E0080502	1
	*Mh-03/800 shaft left with brace lug	Plate A, bottom	JS E0080506	1
	*Mh-03/800 shaft left	Plate A, bottom	JS E0080501	1
	*Mh-04/750 shaft left	Plate A, bottom	JS E0080504	1
	*Mh-05/700 shaft left	Plate A, bottom	JS E0080505	1
	*Mh-02/850 shaft left	Double plate	JS E0087702	1
	*Mh-03/800 shaft left	Double plate	JS E0087701	1
	*Mh-04/750 shaft left	Double plate	JS E0087704	1
	*Mh-05/700 shaft left	Double plate	JS E0087705	1
20	*Mh-02/850 shaft right	Plate A, top	JS E0079802	1
	*Mh-03/800 shaft right	Plate A, top	JS E0079801	1
	*Mh-04/750 shaft right	Plate A, top	JS E0079804	1
	*Mh-05/700 shaft right	Plate A, top	JS E0079805	1
	*Mh-02/850 shaft right with brace lug	Plate A, bottom	JS E0080002	1



Landing gear

Item	Description	Remark	Order No.	per Kit
	*Mh-03/800 shaft right with brace lug	Plate A, bottom	JS E0080006	1
	*Mh-03/800 shaft right	Plate A, bottom	JS E0080001	1
	*Mh-04/750 shaft right	Plate A, bottom	JS E0080004	1
	*Mh-05/700 shaft right	Plate A, bottom	JS E0080005	1
	*Mh-02/850 shaft right	Double plate	JS E0087802	1
	*Mh-03/800 shaft right	Double plate	JS E0087801	1
	*Mh-04/750 shaft right	Double plate	JS E0087804	1
	*Mh-05/700 shaft right	Double plate	JS E0087805	1
21	Axialbearing with washer		JS E0066401	2
22	*Mh-02/850 Cover left with spindle	with Pos. 21	JS E0080202	1
	*Mh-03/800 Cover left with spindle	with Pos. 21	JS E0080201	1
	*Mh-04/750 Cover left with spindle	with Pos. 21	JS E0080204	1
	*Mh-05/700 Cover left with spindle	with Pos. 21	JS E0080205	1
23	*Mh-02/850 Cover right with spindle	with Pos. 21 and 07	JS E0079702	1
	*Mh-03/800 Cover right with spindle	with Pos. 21 and 07	JS E0079701	1
	*Mh-04/750 Cover right with spindle	with Pos. 21 and 07	JS E0079704	1
	*Mh-05/700 Cover right with spindle	with Pos. 21 and 07	JS E0079705	1
24	Spring		JS E0012900	4
25	Shaft compl.		JS E0091700	2
26	S-Foot, compl.	with Pos. 24 and 25	JS E0084750	2
27	Drive repair kit		JS E0059200	1
28	Spacer	only with S foot with loose sleeves	JS E0087622	4
29	T-Foot, compl.	with Pos. 25	JS E0095500	2
30	A-Foot, compl.	with Pos. 25	JS E0098900	2

*with T foot, the mounting height is reduced by 10 mm

Individual components, accessories and repair kits

Item	Description	Remark	Order No.	per Kit	Item	Description	Remark	Order No.	per Kit
03	Connection shaft 1340 mm		JS L01	1	16	Crank 350 mm w. parking hook	with 15, 17 + 18	JS U01	1
03	Connection shaft 1450 mm		JS L02	1	16	Crank 415 mm w. parking hook	with 15, 17 + 18	JS U02	1
03	Connection shaft 1470 mm		JS L03	1	16	Crank 450 mm w. parking hook	with 15, 17 + 18	JS U03	1
03	Connection shaft 1500 mm		JS L04	1	16	Crank 480 mm w. parking hook	with 15, 17 + 18	JS U04	1
03	Connection shaft 1505 mm		JS L05	1	16	Crank 520 mm w. parking hook	with 15, 17 + 18	JS U05	1
03	Connection shaft 1575 mm		JS L06	1					
03	Connection shaft 1605 mm		JS L07	1					
03	Connection shaft 1635 mm		JS L08	1					
03	Connection shaft 1700 mm		JS L09	1					
03	Connection shaft 1790 mm		JS L10	1					

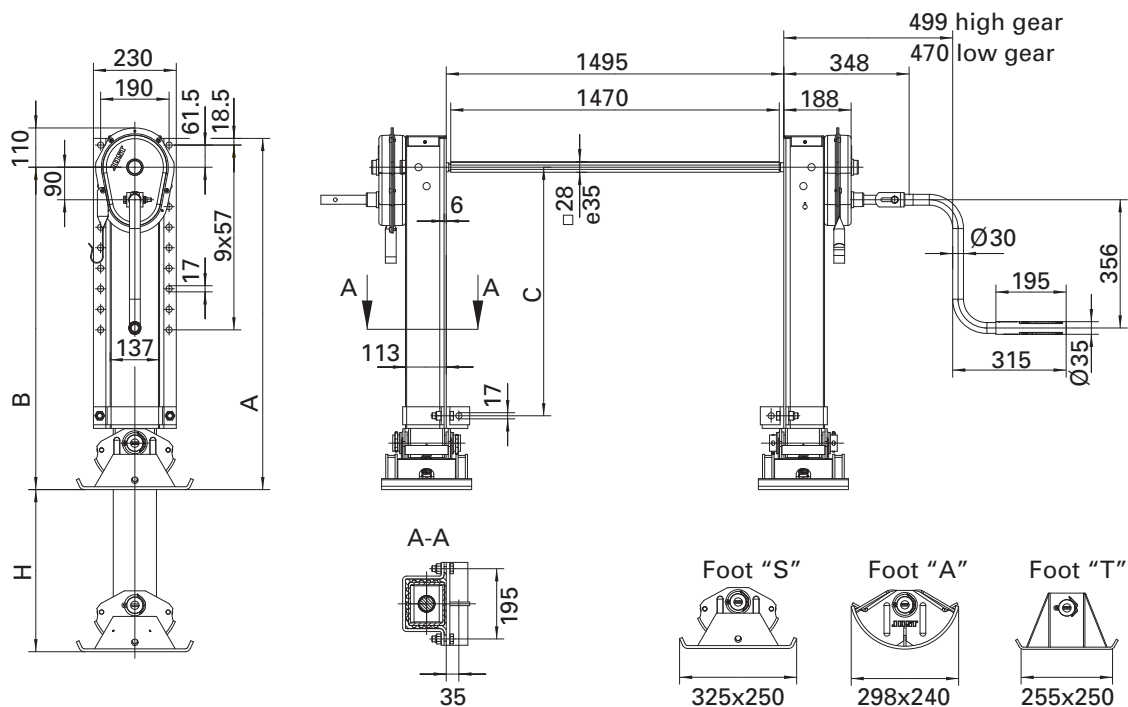
Landing gear E 100 / 140

Advantages at a glance

- The E 100 range of telescopic landing gear consists of special lightweight, aluminium legs.
- One and two side operation

- Integrated lubricant cartridge – no need to lubricate the spindle
- Feet are interchangeable

Technical Specification



Series E 1... is not suitable for heavy duty use, for example in the case of tipper trucks or for Ro-Ro transport.

The aluminium landing gear is delivered untreated (natural aluminium finish).

Other dimensions available upon request.

Accessories

Mounting kit JS 2118-0004

The JS 2118-0003 anti-corrosion insert is necessary to protect against corrosion at the joints between the landing gear and the chassis parts (back plate and bracing angle).

Selection table / Versions available

one-side

Order No.	A (mm)	B (mm)	C (mm)	H (mm)	Drive	Foot	Weight (kg)
E 100 R	960	880	600	450	vertical	R	81.0
E 100 T	960	880	690	450	vertical	T	61.0
E 100 A	970	890	690	450	vertical	A	64.1
E 100 S	975	895	690	450	vertical	S	68.0

two-side

Order No.	A (mm)	B (mm)	C (mm)	H (mm)	Drive	Foot	Weight (kg)
E 140 R	960	880	600	450	vertical	R	88.0
E 140 T	960	880	690	450	vertical	T	68.0
E 140 A	970	890	690	450	vertical	A	71.1
E 140 S	975	895	690	450	vertical	S	75.0

General technical specification

Gear	Lift by one turn of the crank (mm)
Low gear	1,0
High gear	10,6

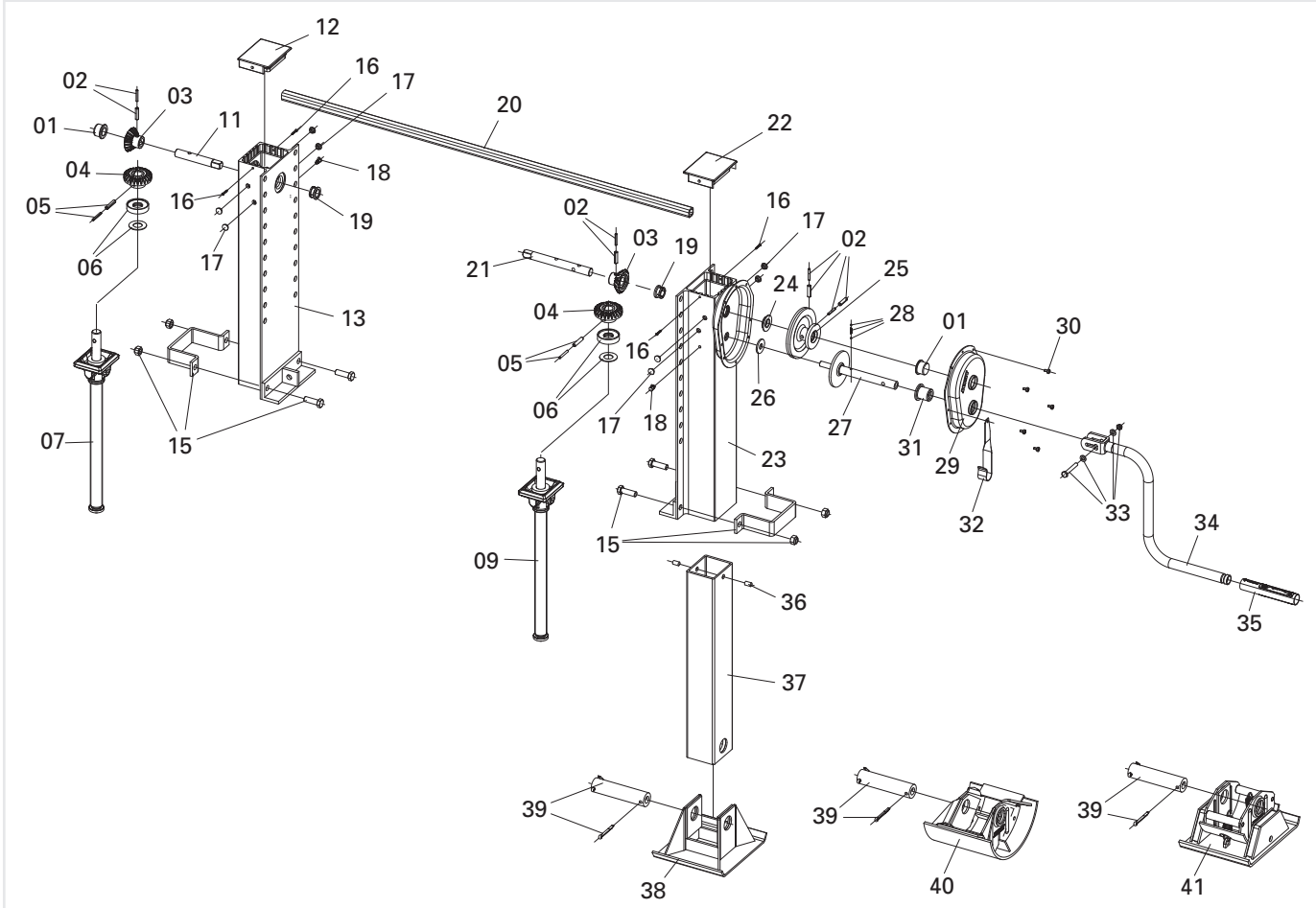
Load	Support leg per side (t)	Landing gear per kit (t)
Lifting capacity	12	24
Static load	25	50

Crank force in low gear:

Lifting capacity (t)	One-side operation (kg)	Two-side operation (kg)
12	17	9
16	23	12
20	29	15
24	35	18
30	-	23

E 100

Spare parts



Item	Description	Remark	Order No.	per Kit	Item	Description	Remark	Order No.	per Kit
01	Bearing		JS 1101-0008	2	23	Shaft right*	with 15	JS 2111-0076	1
02	Clamping sleeves		JS 1118-0008	4	24	Bearing		JS 1101-0007	1
03	Small bevel gear	with 02	JS 1118-0015	2	25	Large gear set	with 02	JS 1118-0005	1
04	Large bevel gear	with 05	JS 2118-0005	2	26	Spacer washer		JS 1401-0003	1
05	Clamping sleeves		JS 1118-0009	2	27	Crank drive	with 28	JS 4118-0006	1
06	Thrust bearing		JS 1101-0160	2	28	Pressure spring with balls		JS 1118-0004	1
07	Spindle left	compl.* with 06	JS 2114-0011	1	29	Front housing side		JS 2111-0046	1
09	Spindle right	compl.* with 06	JS 2114-0010	1	30	Spiral bolt		JS 1120-0073	5
11	Drive shaft		JS 2114-0012	1	31	Bush		JS 1101-0010	1
12	Cover with sealing ring		JS 2101-0016	1	32	Crank parking hook		JS 1101-0017	1
13	Shaft left*	with 15	JS 2111-0075	1	33	Bolts, washers, nuts		JS 0043100	1
15	Top section with bolts, nuts		JS 2118-0006	2	34	Crank handle	with 35	JS 1118-0003	1
16	Bolt		JS 1120-0075	4	35	Crank bushing		JS 1113-0174	1
17	Plug		JS 1101-0012	8	36	Cylindrical pin		JS 1120-0007	4
18	Taper grease nipple		JS 1120-0006	2	37	Support leg*	for A, T and S foot	JS 2112-0016	2
19	Collar		JS 1101-0002	2	38	T foot	with 39	JS 2116-0001	2
20	Connection shaft		JS 1110-0001	1	39	Shaft for rocking foot	compl.	JS 2118-0001	2
21	Drive shaft		JS 2114-0007	1	40	Rocking foot		JS 2116-0019	2
22	Cover with sealing ring		JS 2101-0017	1	41	S foot	with 39	JS 2116-0038	2

* Important! When placing an order for these spare parts please also state the mounting height of the landing gear.

Mounting groups

Order No.	Description
JS 2118-0003	Anti-corrosion insert

Easy Drive

Ease of operation and safety on the highest level

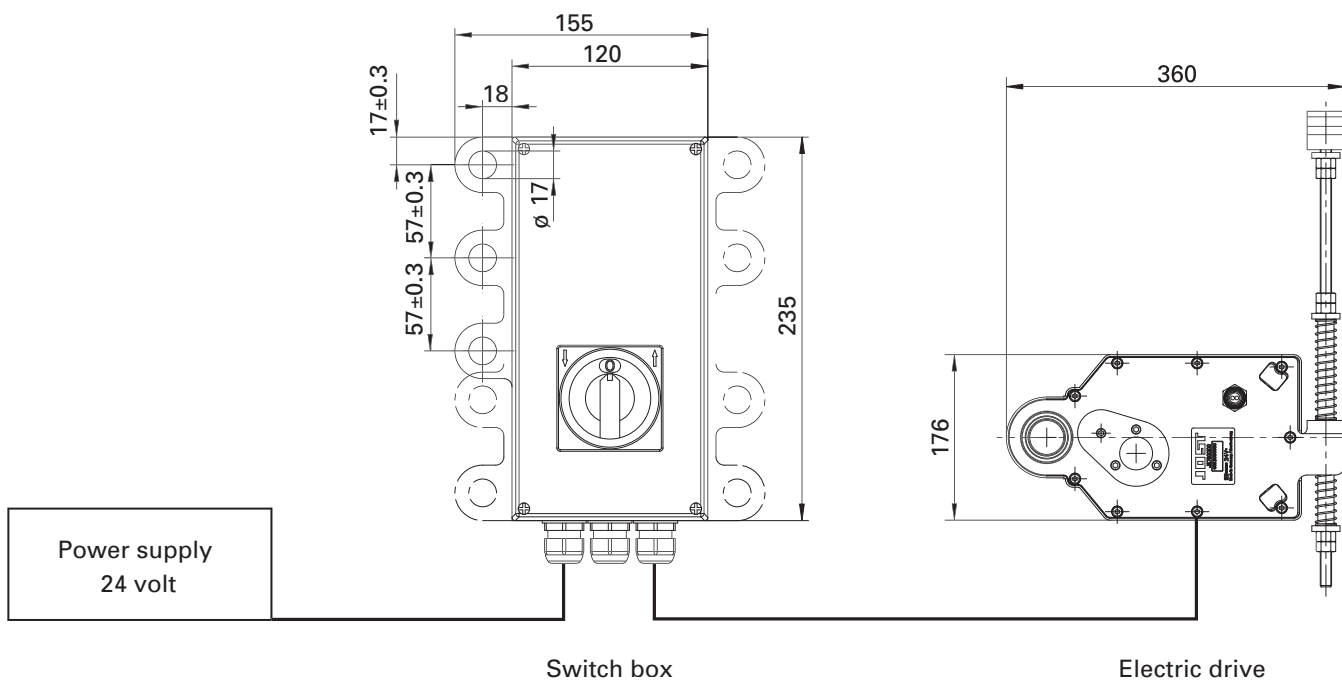
Technical Specification

Power supply 24 Volt
 Protection code: electric drive = IP 5K4
 Switch box = IP 65

Not suitable to lift loaden trailers

Advantages at a glance

- stops automatically on ground contact and when fully wound in
- ideal for operation in cramped parking bays and for frequent Hitch and unhitch
- can be subsequently installed on all JOST Modul legs (other models on request)
- manual operations possible with crank kit
- saves time and effort (Health & Safety)
- switch box available in 2 versions: for normal and very low ambient temperature



Selection table / Versions available

Description	Remark	Order No.
Electric drive standard		JS 7000000
Electric drive with crank kit for manual operation	with crank handle JS U23	JS 7003000
Switch box for standard bus bar	for ambient temperature to -10°C (10A fuse)	JS 7005000*
Switch box for special bus bar	for ambient temperature to -25°C (16A fuse), if necessary special cable to the tractor unit may be required	JS 7005100*

* incl. 5 m cable

Note:
 For Easy Drive spare parts, see Systems: KKS Landing gears and Easy Drive

Accessories (can be ordered separately)

Order No.	A	B (Low gear)	C (High gear)	Description
JS E7007000*				Crank shaft
JS U21	385	634	653	Special crank handle
JS U22	405	654	673	Special crank handle
JS U23	450	699	718	Special crank handle
JS U24	505	754	773	Special crank handle
JS U25	550	799	818	Special crank handle

* Crank kit for modul / please order components separately

