

4 Dual-height fifth wheel systems

The dual-height fifth wheel system is fitted to a tractor unit to connect it to a trailer.

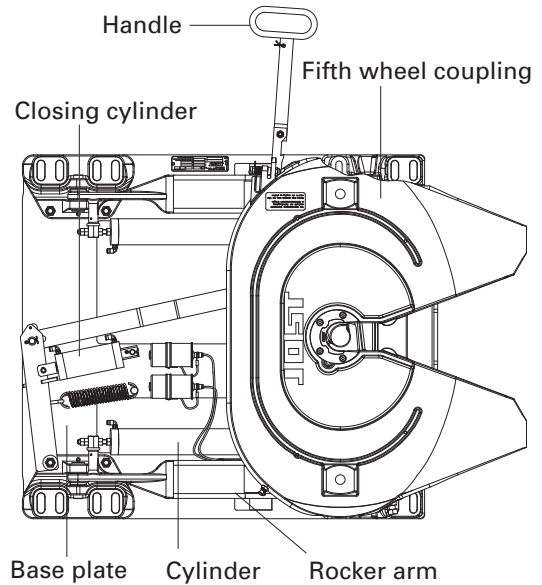
Dual-height fifth wheel systems are vehicle attaching parts that are subject to mandatory design approval and on which the highest safety requirements are placed.

The dual-height fifth wheel system allows both mega-trailers and conventional semi-trailers to be used on low-deck tractor units. The height is adjusted when the tractor unit is uncoupled and can be set to mounting heights of 165 mm and 365 mm. The dual-height fifth wheel system can be mounted easily on all conventional tractor units.

When fitting our dual-height fifth wheel systems, JOST mounting instructions and the relevant national regulations must be observed (in Germany these are §§19, 20, 21 of the "StVZO" Motor Vehicle Safety Standards).

Fitting dual-height fifth wheel system

The dual-height fifth wheel system is mounted directly on the mounting angles of the tractor unit. There is no need for an additional mounting plate. Further details are given in the mounting instructions.



Type plate

The fifth wheel coupling is fitted with its own type plate. For further information, see the "Fifth wheel couplings" section of this catalogue.

Each dual-height fifth wheel system is marked with a type designation. This can be found on the type plate secured on the sole plate. The model designation is used to identify the version of the dual-height fifth wheel system. When ordering spare parts, please quote the model designation and the factory number.

DH1009902	Hubeinrichtung für Sattelkupplungen Satteltes double hauteur Dual Height Fifth Wheel			EG	e1	00-1069	J	D-Value (kN)	Imposed load(t)
								D 110	U 15
Neu-Isenburg, Germany / R.F.A.									
Artikelnr. Type	JSKDHE02816AA			Nr. No.					
Part no. Ausf.bez.	DH200 P			Ausrüstung	Vor Benutzung Betriebsanleitung lesen. Voir notice d'instructions avant utilisation. Read operating manual before use.				

Dual-height fifth wheel systems JSK DH

Robust, compact and light

Technical Specification

- The dual-height fifth wheel system with integral JOST series JSK 37 E fifth wheel coupling is designed for 2" king pins (50) as per 94/20/EC, DIN 74080, ISO 337 and steering wedges as per 94/20/EC, DIN 74085. This version has also been outfitted for a possible retrofitting with LubeTronic (starting with series number 1862094706).
- Fifth wheel coupling with ergonomically shaped, long handle. For further information, see the "Fifth wheel couplings" section of this catalogue
- Excellent anti-corrosion protection by cathodic immersion coating
- Dual locking mechanism with additional safeguard to prevent incorrect locking
- Raised and lowered pneumatically
- Height adjustment locked and unlocked pneumatically
- For installation of the JSK DH on the tractors no additional relief valves are necessary.
- Fitting recommendation: when ordering new vehicles ensure that the mounting angles are drilled according our dimensions (see drawing) or completely undrilled.

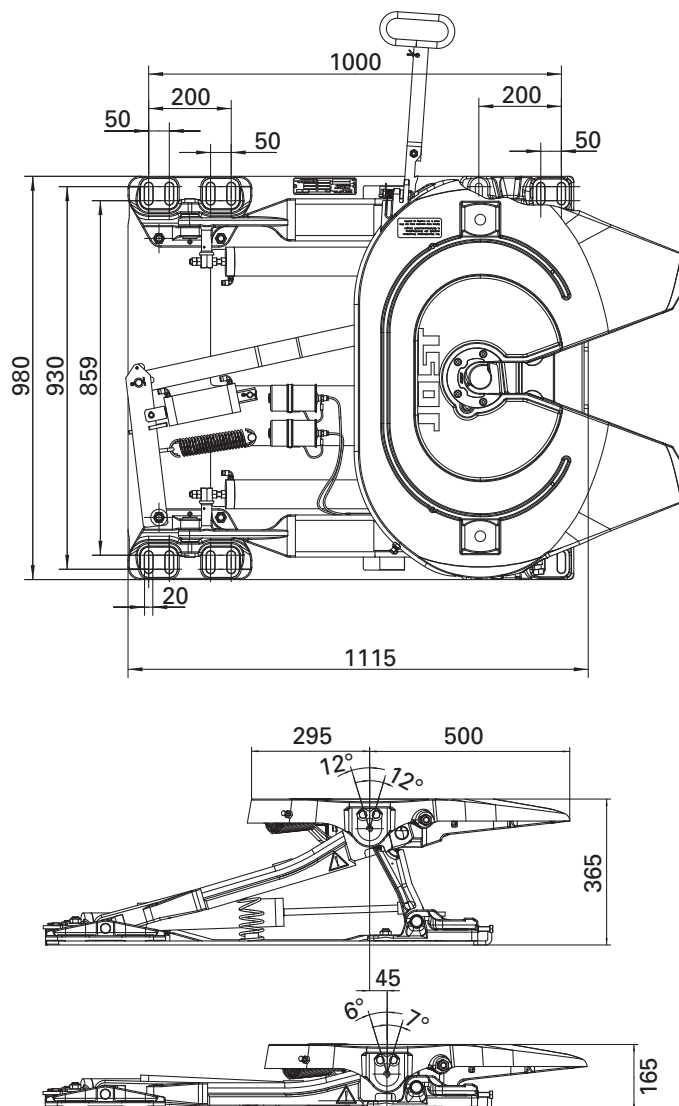
Fully automatic lubrication

- Equipped with LubeTronic lubrication system
- Two grease cartridges for lubricating joints
- Third cartridge for lock jaw lubrication (for JSK 37EW)
- Up to 50 % reduction in maintenance costs

JSK DH with JSK 37 E

Scope of delivery Order

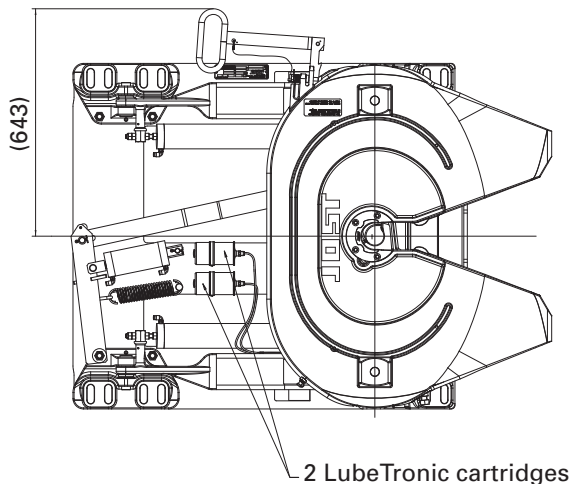
- Dual height fifth wheel system with standard fifth wheel coupling JSK 37 E
- Pneumatic kit, Mounting bolts



JSK DH with JSK 37 E and LubeTronic

Scope of delivery Order No. JSKDHE02816AA

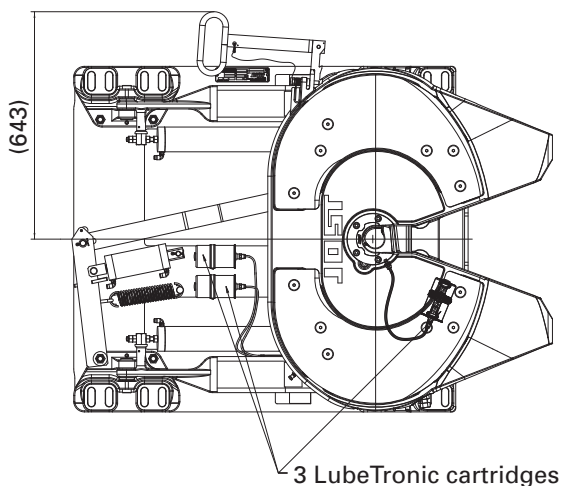
- Dual fifth wheel system JSK DH with LubeTronic
- two integrated LubeTronic cartridges for dual fifth wheel system lubrication
- Standard fifth wheel coupling JSK 37 E
- Pneumatic kit, Mounting bolts



JSK DH with low-maintenance JSK 37 EW and LubeTronic

Scope of delivery Order No. JSKDHE02813AA

- Dual fifth wheel system JSK DH with integrated LubeTronic
- two integrated LubeTronic cartridges for dual fifth wheel system lubrication
- low-maintenance fifth wheel coupling JSK 37 EW with integrated LubeTronic for lock jaw lubrication
- Pneumatic kit, Mounting bolts



Selection table / Versions available

Order No.	Weight (kg)	D value (kN)	Imposed load U (t)	maximum permissible total towing weight (t)	Approval (EC) Dual-height fifth wheel system	Fifth wheel coupling	Approval (EC) Fifth wheel coupling
JSKDHE02816AA	266.0	110.0	15	44	e1 00-1069	JSK 37 E	e1 00-0294
JSKDHE02813AA	267.0	110.0	15	44	e1 00-1069	JSK 37 EW	e1 00-0294

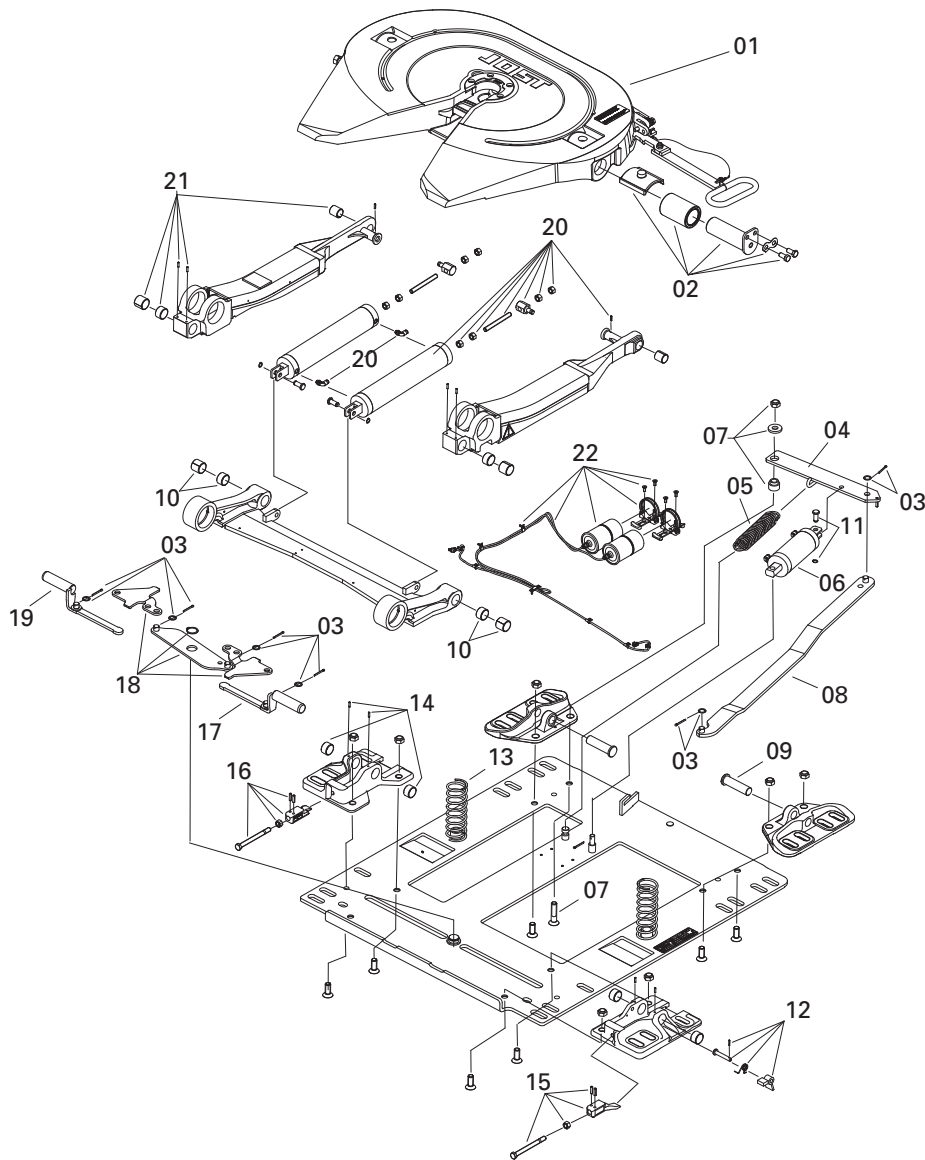
Description	Order No.	per Slider
Mounting kit: 10 x hexagonal screws M16 x 1,5 x 70 4 x hexagonal screws M16 x 1,5 x 90 14 x nuts M16 x 1,5 16 x washers A17 6 x Double washer	DH 1019950	1
Pneumatic kit: 1 x control device 2 x T-plug connector L6/L6/L6 15 m compressed air hose	DHE 1011800	1

available with



JSK DH with JSK 37 E / EW

Spare parts



Item	Description	Remark	Order No.	per DH	Item	Description	Remark	Order No.	per DH
01	Fifth wheel coupling*				14	Bushing set 2		DH 1019914	2
02	Fifth wheel coupling bearing	compl.	DH 1019902	2	15	Wedge right	compl.	DH 1019915	1
03	Split pin	compl.	DH 1019903	1	16	Wedge left	compl.	DH 1019916	1
04	Lever		DHE 1011600	1	17	Locking pin, right		DH 1019917	1
05	Double tension spring		SK 2405-23	1	18	Elbow lever	compl.	DH 1019918	1
06	Closing cylinder		DHE 1011100	1	19	Locking pin left		DH 1019919	1
07	Spacer bushing	compl.	DH 1019907	1	20	Cylinder	compl.	DH 1019920	2
08	Lever		DH 1019908	1	21	Bushing set 3		DH 1019921	2
09	Pivot pin		DH 1019909	2	22	Lubrication kit, 2 x LubeTronic			
10	Bushing set 1		DH 1019910	2		for JSK E... (Retrofitting)	compl.	DH 1019200	1
11	Bolt	compl.	DHE 1003100	1		third LubeTronic cartridge for JSK EW...		SKE 004070100	1
12	Latch	compl.	DH 1019912	1		Lubrication kit lubrication cartridges for JSK DH		DHE 1019300	1
13	Spring		DH 1019913	2					

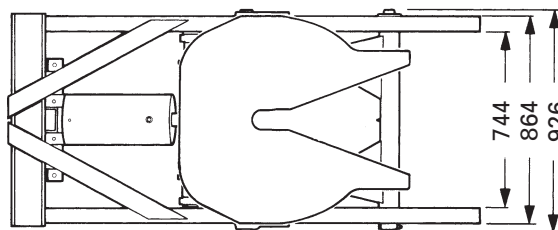
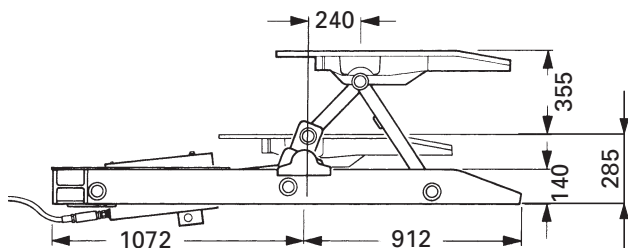
* Spare parts of fifth wheel coupling see JSK 37 E

Dual-height fifth wheel system - Hydra Lift RO*66

Hydraulic and infinitely height-adjustable

Technical specifications

- The Hydra Lift with a special, integral fifth wheel coupling is designed for mounting 2" king pins (50) in compliance with 94/20/EC, DIN 74080, ISO 337.
- Permitted vertical load on tractor (U) on private roads up to 22 t
- With control unit for the coupling lock and for the raised coupling position
- All functions with remote control
- Permitted speed when raised 20 kph
- Lifting time approx. 10 sec. at 1,200 rpm of the ancillary gear
- Lift max. 355 mm
- Height adjustment with a load



Delivery includes:

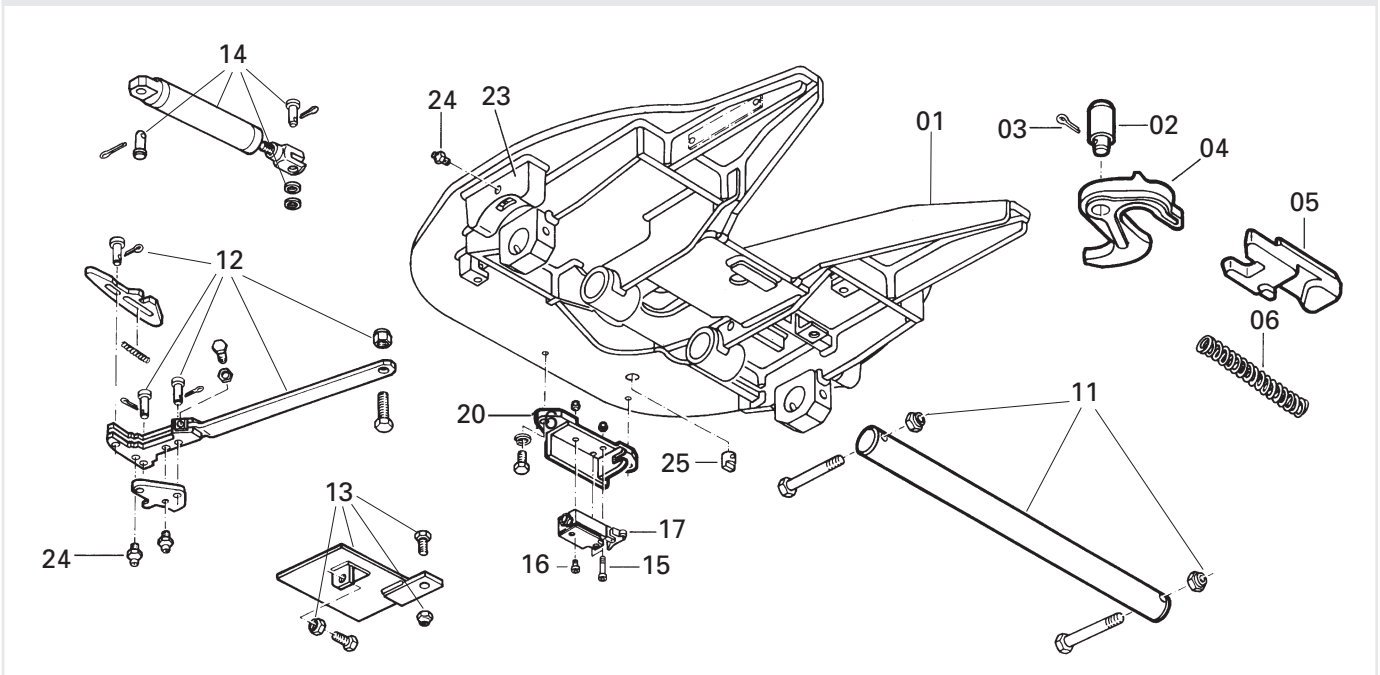
- 1 x dual-height fifth wheel system with fifth wheel coupling
- 1 x hydraulic pump
- 1 x mounting and operating instructions
- 1 x control unit for driver's cab

Selection table / Version available

Order No.	Weight (kg)	D value (kN)	Imposed load U (t)	Approval (D)	Unladen tractor weight (t)	Perm. total weight of articulated vehicle (t)
RO66LA	600.0	110,5	15	M 3680	10	38

RO*66 LA - Fifth wheel plate

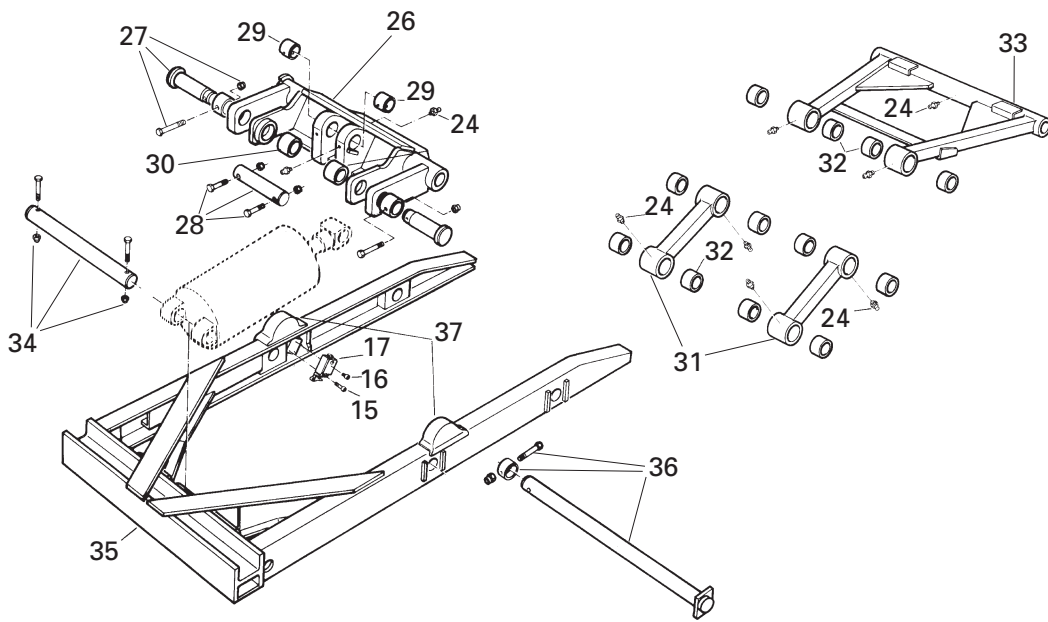
Spare parts



Item	Description	Remark	Order No.	per RO*66	Item	Description	Remark	Order No.	per RO*66
01	Fifth wheel plate unit fitted with the above components		ROE 69142	1	14	Unlocking cylinder		ROE 69025	1
02	Pivot pin		ROE 52141	1	15	Socket head bolt M4 x 40		ROE 30179	2
03	Split pin	in 02		1	16	Socket head bolt M4 x 12		ROE 30180	1
04	Lock jaw		ROE 68013	1	17	Limit switch		ROE 90035	1
05	Plunger		ROE 68166	1	20	Limit switch bracket		ROE 68411	1
06	Pressure spring		ROE 55103	1	23	Collar		ROE 68133	2
11	Shaft		ROE 69192	1	24	Lock fitting A10 x 1		ROE 65018	2
12	Release lever	with 24	ROE 69188	1	25	Stop bolt		ROE 52153	1
13	Cover plate		ROE 69189	1					

RO*66 LA - Lifting frame

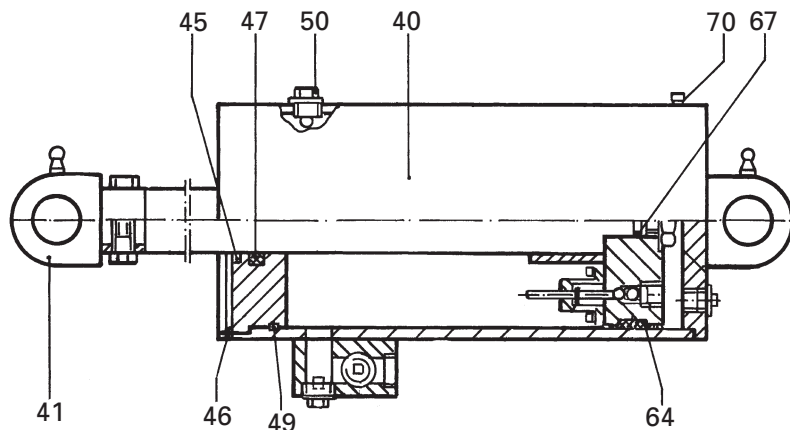
Spare parts



Item	Description	Remark	Order No.	per RO*66	Item	Description	Remark	Order No.	per RO*66
26	Reversing body	with 27 - 30	ROE 69176	1	32	Bearing bushing		ROE 53178	12
27	Pivot pin		ROE 69193	2	33	Lifting arm	with 24, 32	ROE 69071	1
28	Shaft		ROE 69190	1	34	Shaft		ROE 69191	1
29	Bearing bushing		ROE 53203	2	35	Base frame	with 2 x 15 - 17, 36, 37	ROE 69143	1
30	Bearing bushing		ROE 53179	4	36	Shaft		ROE 69075	2
31	Arm	with 24, 32	ROE 69072	2	37	Pedestal		ROE 68132	2

RO*66 LA - Hydraulic cylinder

Spare parts



Item	Description	Remark	Order No.	per RO*66	Item	Description	Remark	Order No.	per RO*66
40	Hydraulic cylinder		ROE 69136	1	49	O-ring	*	*	1
41	Bar eye		ROE 68391	1	50	Ventilation screw		ROE 68398	1
45	Cleaner		*	1	64	Piston washer	*	*	1
46	Locking ring		*	1	67	O-ring	*	*	1
47	Grooved ring		*	1	70	Sealing ring	*	*	1

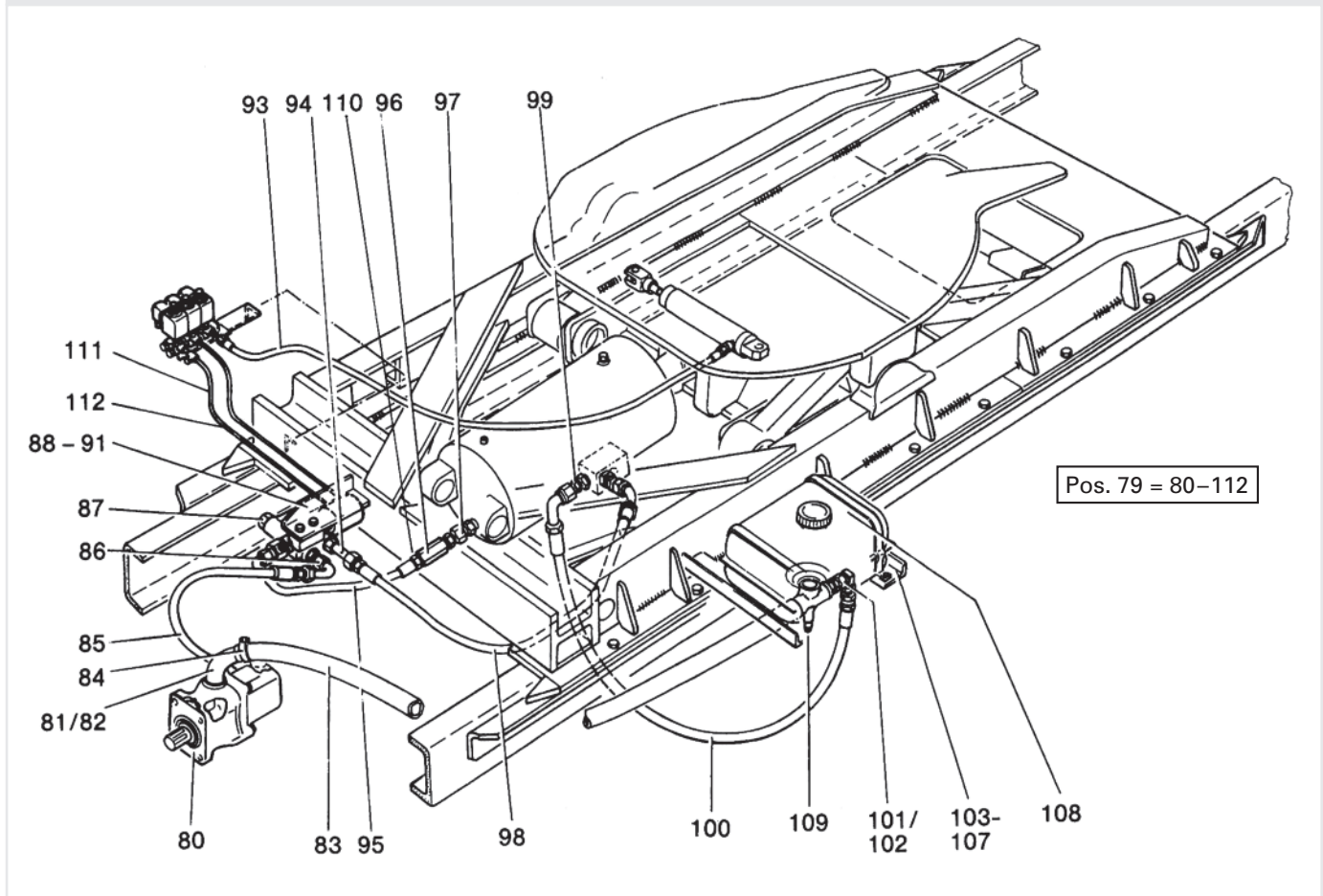
Repair and retrofit kits

Item	Description	Order No.
45, 46, 47, 49, 64, 67, 70	Repair kit	ROE 69305

Further spare parts on request

RO*66 LA - Hydraulic kit

Spare parts

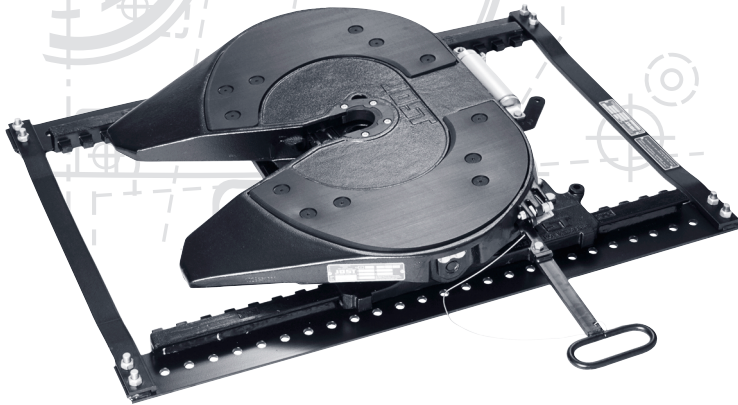


Item	Description	Remark	Order No.	per RO*66
79	Hydraulic kit	contains pos. 80-112	ROE 69169	1
80	Hydraulic pump		ROE 69170	1
81	Intake connection		ROE 90065	1
82	O-ring	in 79		1
83	Spiral hose	in 79		1
84	Hose clamp	in 79		2
85	High-pressure hose	in 79		1
86	Threaded elbow joint	in 79		3
87	Control tilt valve		ROE 69171	1
88	Angle bracket	in 79		1
89	Separator	in 79		1
90	Hexagon bolt	in 79		2
91	Lock nut	in 79		2
93	Air hose		ROE 90063	1
94	Mounting props	in 79		1
95	High-pressure hose	in 79		1

Item	Description	Remark	Order No.	per RO*66
96	Lowering brake valve		ROE 90071	1
97	Nut and bolt		ROE 90062	1
98	Return hose	in 79		1
99	Nut and bolt	in 79		2
100	Return hose		ROE 90093	1
101	Nut and bolt	in 79		1
102	Reducer		ROE 90074	1
103	Fastening bow	in 79		2
104	Angle bracket left	in 79		1
105	Angle bracket right	in 79		1
106	Hexagon bolt	in 79		4
107	Hexagon nut	in 79		4
108	Oil tank	with T-piece 109	ROE 90066	1
109	T-piece	in 79		1
110	Sealing ring	in 79		1
111	Nut and bolt	in 79		1
112	Tube 3 m	in 79		1

Repair and retrofit kits

Item	Description	Order No.
•	Screw connection for valve control block	ROE 90100
•	Lifting block, kit	ROE 58233



5 Sliders

Sliders allow the position of the fifth wheel coupling to be moved on the semi-trailer tractor unit. This allows the axle load and load distribution to be optimised, and the total length of the articulated vehicle to be reduced for ferry crossings or adapted to comply with national regulations.

The JOST's EV M slider is suitable for use with fifth wheel couplings of all conventional makes with a connecting hole pattern in line with ISO 3842.

The JSK SL sliders can be equipped as an option with a pneumatic control and are supplied as a complete unit with integrated fifth wheel coupling. The SL series is outstanding as a result of its weight and flexibility. All standard couplings (sheet steel and cast) can be installed on it.

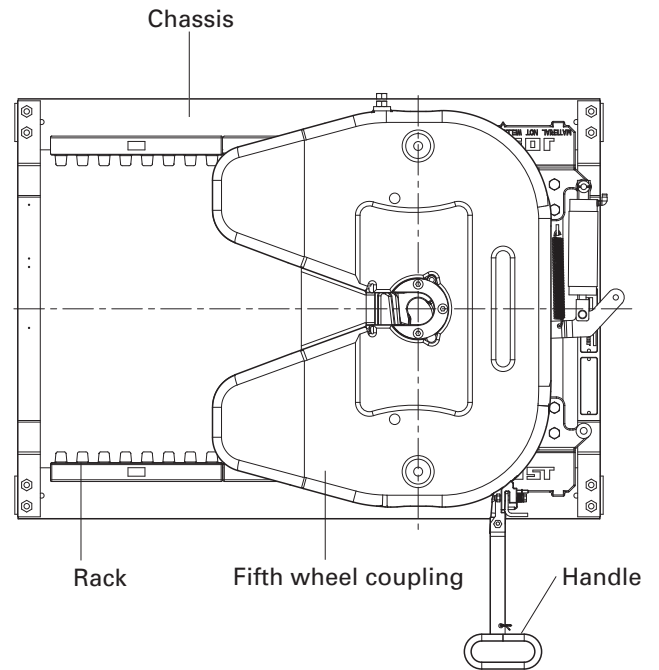
The JOST's EV HD slider is suitable for use with heavy-duty fifth wheel couplings of all conventional makes with a connecting hole pattern in line with ISO 3842.

National regulations and JOST mounting instructions must be observed for their mounting.

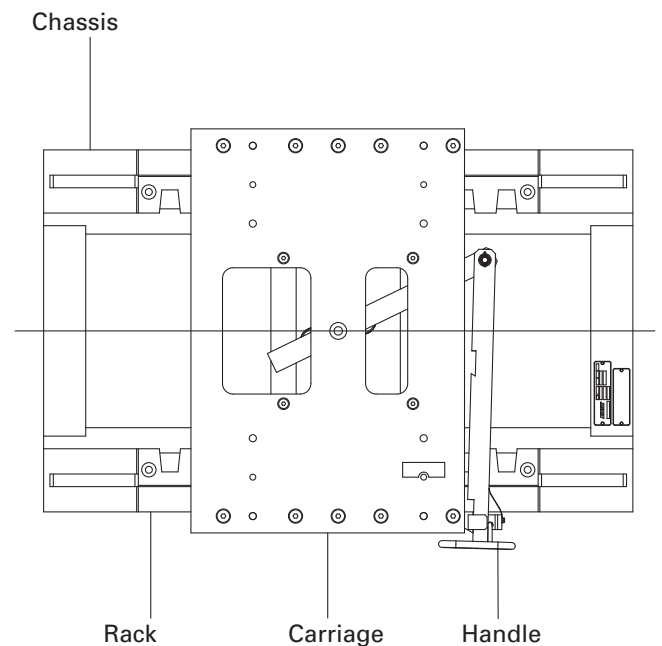
Fitting sliders

The slider is mounted on the mounting angles of the tractor unit. There is no need for an additional mounting plate. Further details for fitting the slider are given in the mounting instructions.

JSK SL



EV HD / EV M

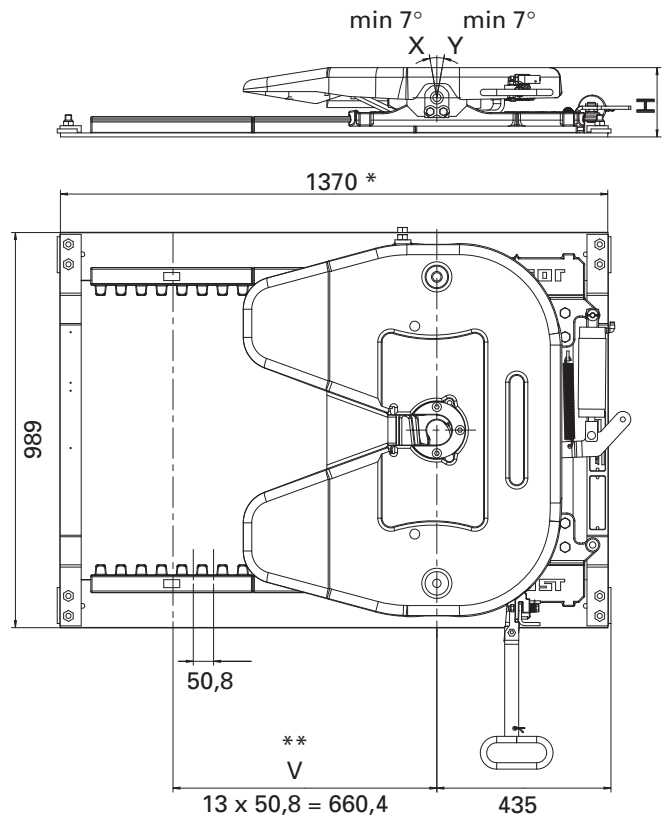
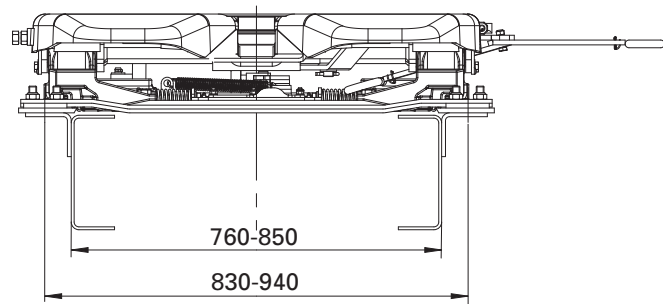


Sliders JSK SL

Technical Specification

The slider with integral JOST series JSK 37 E or JSK 36 D fifth wheel coupling is designed for 2" king pins (50) as per 94/20/EC, DIN 74080, ISO 337 and steering wedges as per 94/20/EC, DIN 74085.

- Optimum protection against corrosion thanks to cathodic immersion coating
- Lightweight
- Suitable for all standard frame hole pattern



* XXL-Version = 1792
V = Sliding distance: ** XXL-Version = 21x50,8 = 1066,8

Technical Data

D value (kN)	Imposed load U (t)	Approval (EC SL)
152.0	20	e1 00-1151

Customer hole patterns:

For more information, see www.jost-world.com
JOST product section

Order key for JSK SL

Components and variantes

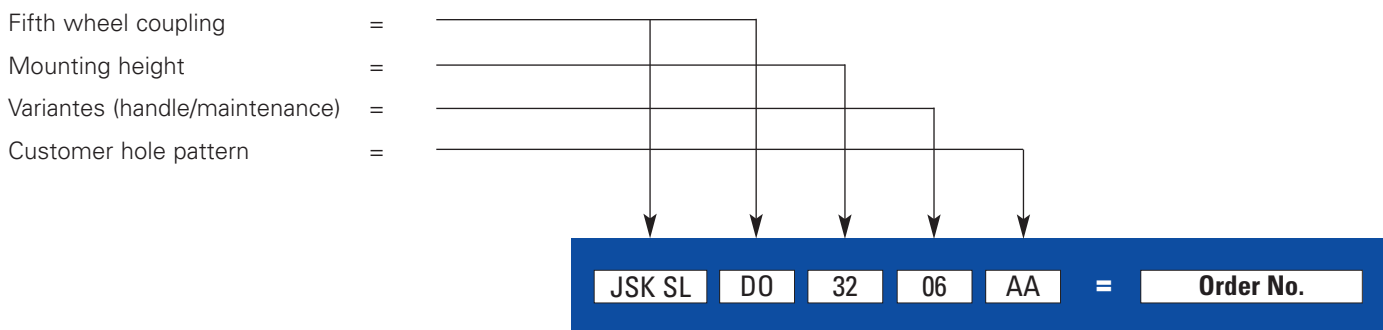
Fifth wheel coupling JSK SL	Mounting height	Variantes Handle/Maintenance	Customer hole pattern (all KTL)
DO = 36 D	32 = 173 mm	06 = Slider manual	AA = Standard (without oval hole, no customer-specific pattern)
EO = 37 E	45 = 203 mm	X6 = XXL Slider manual	BC = Slider / Scania oval hole 880 / M18
	54 = 220 mm	07 = Slider manual / 37 EW	BD = Slider / Volvo oval hole 930 / M12
	73 = 263 mm	X7 = XXL Slider manual / 37 EW	BP = Slider / Daimler oval hole 860 / M16
		X8 = XXL Slider pneumatic	CK = Slider / MAN oval hole 880 / M16
		X9 = XXL Slider pneumatic / 37 EW	CN = Slider / RVI oval hole 900 / M16
		20 = Slider pneumatic	CP = Slider / DAF oval hole 880 / M16
		21 = Slider pneumatic / 37 EW	CT = Slider / Iveco oval hole 860 / M16
		D6 = Slider manual / 36D + 3 sensors	DF = XXL Slider / JOST oval hole 880 / M16
		D5 = Slider pneumatic / 36D + 3 sensors	DV = Slider / RVI oval hole 940 / M16
		I3 = Slider pneumatic / 37 EW / LubeTronic 1Point	CB = Slider / Volvo oval hole 930 / M14 / Huckbolt
		T6 = Slider manual / 37 EW / LubeTronic 1Point	DR = Slider / DAF oval hole 880 / M16 / 150 / 100 / 200
		X4 = XXL Slider manual / 37 EW / LubeTronic 1Point	
		X5 = XXL Slider pneumatic / EW / LubeTronic 1Point	

XXL-Slider nur mit "AA" oder "DF" Lochbild

Explanations:

W = Low-maintenance version

Example of an order number - JSK SL DO 32 06 AA



Mounting kits

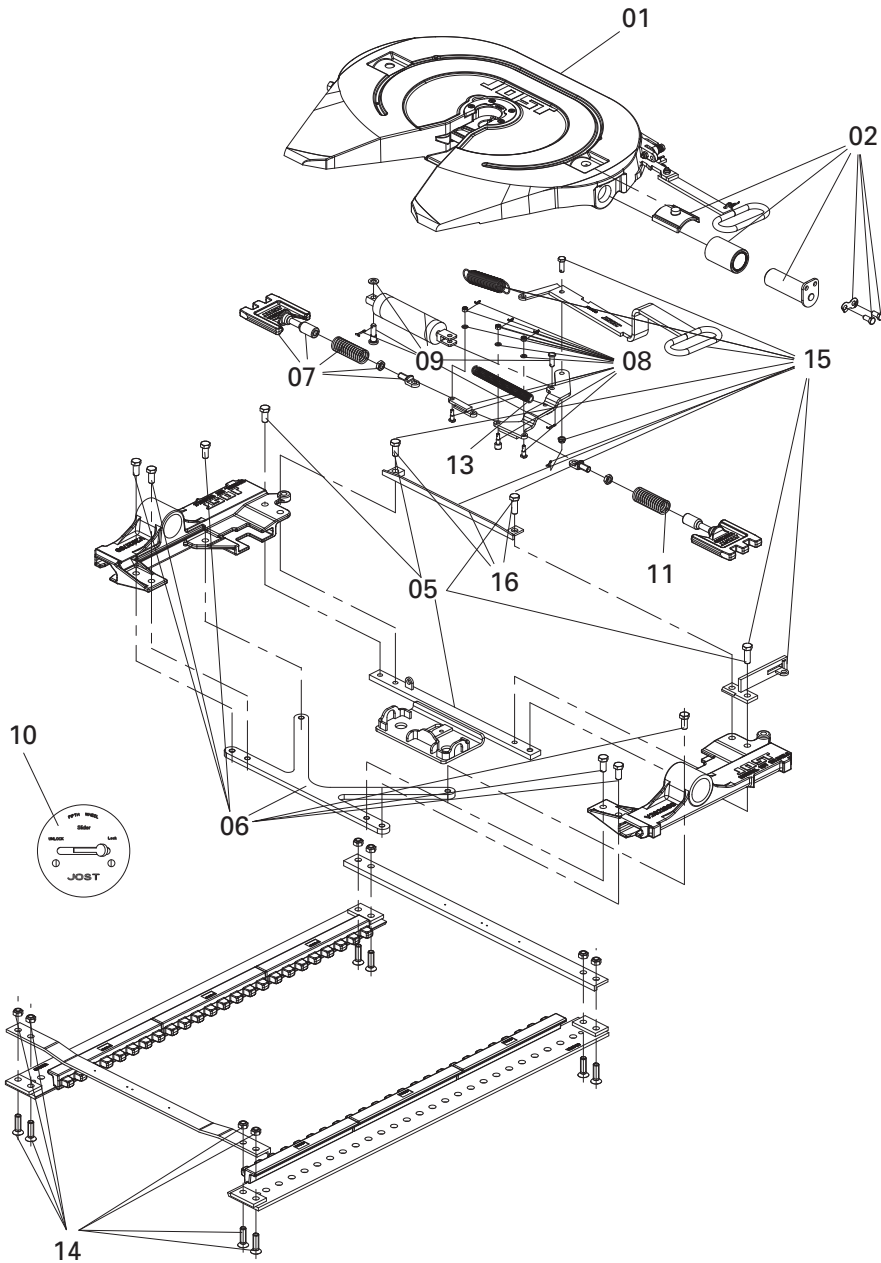
Customer hole pattern	Order No.	Quantity per SL
CT	SLE 000000120	1
CK	SLE 000000120	1
CN/DV	SLE 000000120	1
BP	SLE 000000120	1
CP/DR	SLE 000000120	1
DF	SLE 000000120	2
BD	SLE 000000320	1
BC	SLE 000000220	1
CB	SLE 000000720	1

available with



JSK SL

Spare parts



Item	Description	Remark	Order No.	per Slider	Item	Description	Remark	Order No.	per Slider
01	Fifth wheel coupling	*		1	13	Double tension spring		SLE 202610000	1
02	Split pin	**		2	14	Traverse, kit		SLE 201380020	2
05	Split pin, kit		SLE 202210020	1	15	Handle, kit H 263	for manual version	SLE 202720020	1
06	Bracing, kit		SLE 202120020	1	15	Handle, kit H 203	for manual version	SLE 202850020	1
07	Stopper, kit		SLE 202520020	2	15	Handle, kit BH 173	for manual version	SLE 202420020	1
08	Lever, kit		SLE 202300020	1	15	Handle, kit H 220	for manual version	SLE 202850020	1
09	Cylinder, kit	for pneumatic version	SLE 202410020	1	16	Bridge, kit	for manual version	SLE 202770020	1
10	Pneumatics kit	for pneumatic version	V 1021-54	1	16	Bridge, kit	for pneumatic version	SLE 203300020	1
11	Pressure spring		SLE 201330020	2					

* Spare parts of fifth wheel coupling see JSK 37 E or JSK 36 D

** Spare parts of split pin see JSK 37 E or JSK 36 D

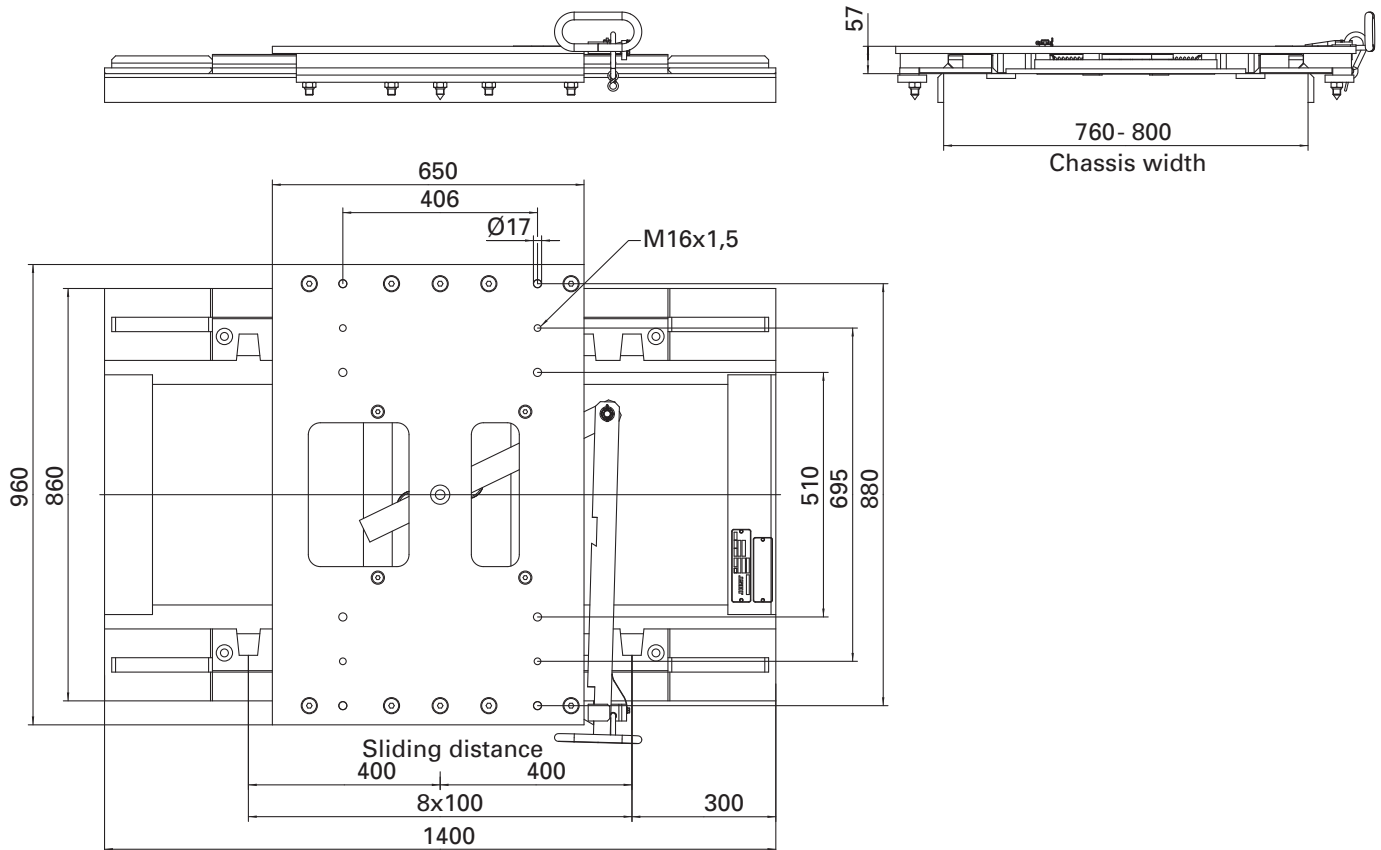
Spare pedestals are not available

Sliders EV HD

Technical Specification

Slider with ISO 3842 hole pattern for 5th wheel couplings as per DIN 74084 (heavy duty fifth wheel couplings) with coupling mounting heights of up to 290 mm.

Limited pitching angle with mounting height 160mm
(X value = 7°, Y value = 6°, see JSK 38 C-1)



Selection table / Versions available

Order No.	Weight (kg)	D value (kN)	Imposed load U (t)	Approval EC / ECE
EV HD-800-6	226.0	260.0	36	e1 00-1266
EV HD850101AA*	323.0	260.0	36	e1 00-1266

The load data apply to use on metalled roads and for standard road conditions in Central Europe.

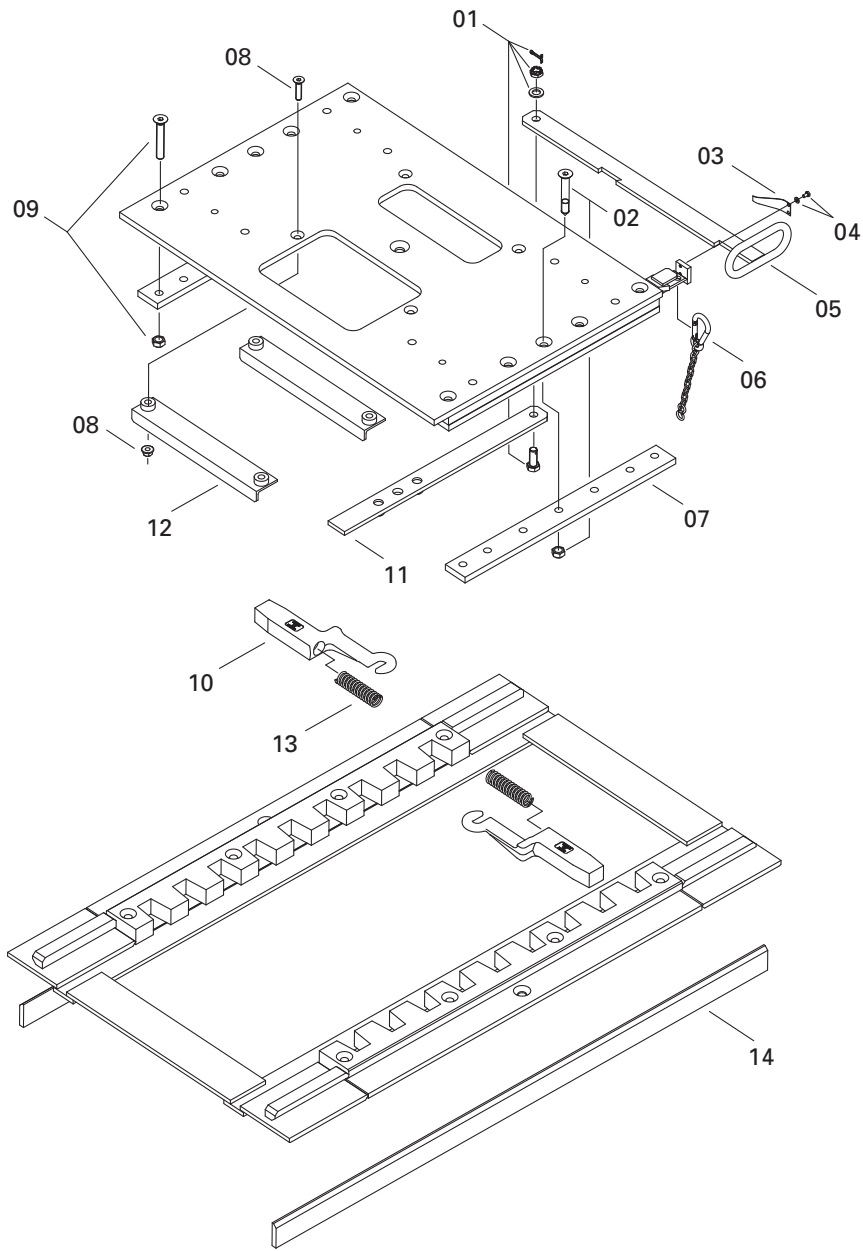
*Mounting kit: SLE 203730000

Mounting kits for EV HD-800-6

consisting of	for mounting	Order No.	Quantity
Hexagon bolt M14 x 1,5 x 40			20
Lock nut M14 x 1,5			20
Countersunk bolt M16 x 1,5 x 80			8
Lock nut M16 x 1,5			8
Stop block	Slider EV HD-800-6 on mounting angles	V 2021-17	4
Hexagon bolt M16 x 1,5 x 70			4
Hexagon bolt M16 x 1,5 x 40			4
Lock nut M16 x 1,5			8
Washer 17			12
Hexagon bolt M16 x 1,5 x 130			4
Stop block 15 x 15 x 100	Fifth wheel coupling on EV HD-800-6	V 2021-16	6

EV HD

Spare parts



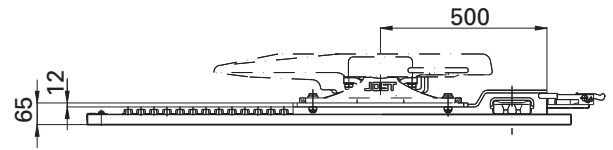
EV HD-800-6

Item	Description	Remark	Order No.	per Slider	Item	Description	Remark	Order No.	per Slider
01	Hexagon bolt	compl.	V 2021-09	1	08	Bolt kit		NTE001970000	1
02	Indicator	compl.	V 2021-01	2	09	Countersunk bolt	compl.	V 2021-02	8
03	Leaf spring		SK 1859	1	10	Bar	compl.	SLE 200511120	2
04	Hexagon bolt	compl.	V 2021-04	2	11	Lever	compl.	V 2005-30	1
05	Handle	compl.	SLE 200527520	1	12	Lever guide	compl.	SLE 200510720	2
06	Spring hook with chain		V 1021-29	1	13	Pressure spring		SLE 200510000	2
07	Bar		V 2005-52	2	14	Bar		V 2005-06	2

Sliders EV M

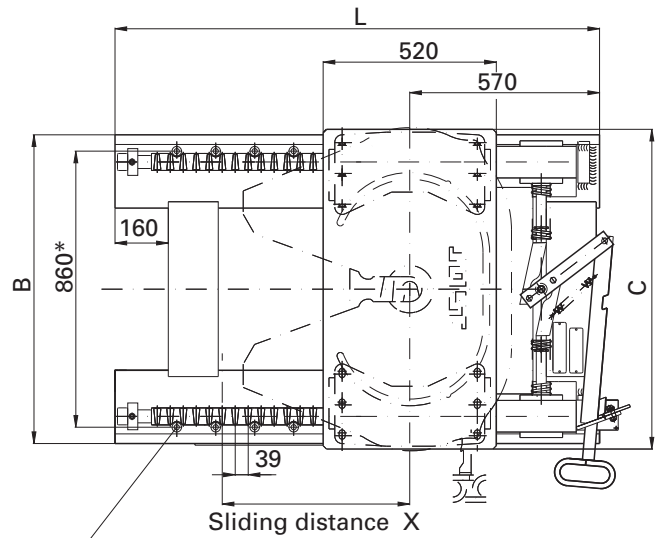
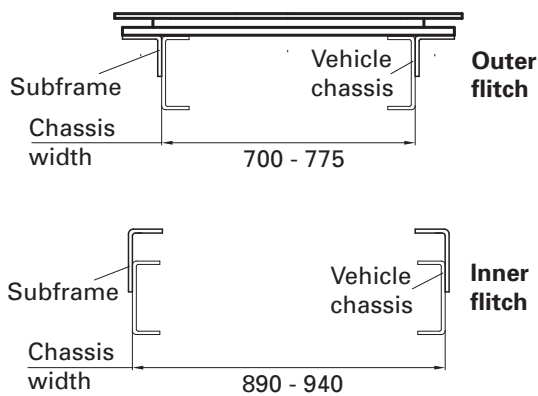
Technical Specification

Slider with connection hole pattern as per ISO 3842 for fifth wheel couplings as per DIN 74081 with fifth wheel coupling mounting heights of up to 250 mm, especially for the JSK 42 with DIN bearing.



Mounting on the vehicle chassis

Suitable for chassis with outer flitches having a chassis width of 700-775 mm. In the case of chassis with inner flitches having a chassis width of 890-940 mm.



* recommended oval hole pattern
10 x countersink on each side
for countersunk bolts M14

Selection table / Versions available

Order No.	A (mm)	B (mm)	C (mm)	L (mm)	X (mm)	Drill hole per side Y	Weight (kg)	D value (kN)	Imposed load U (t)	Approval (EC)
EV M		927	960	1445	546	*	186.0	133.0	18	e1 00-0413

* Without holes

For further information, see the mounting and operating instructions.